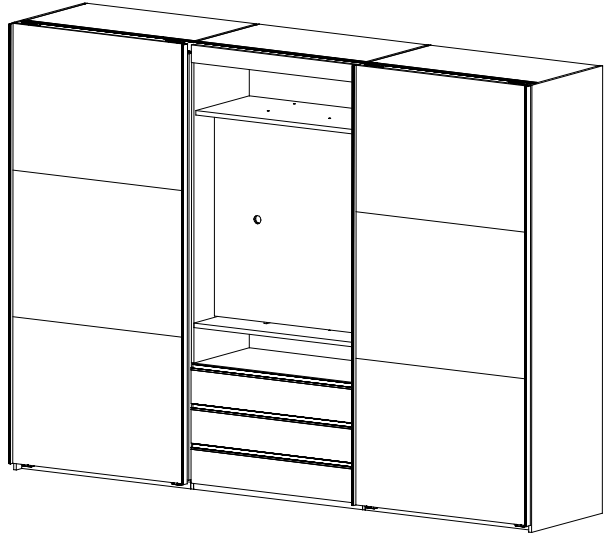
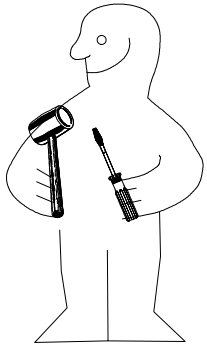
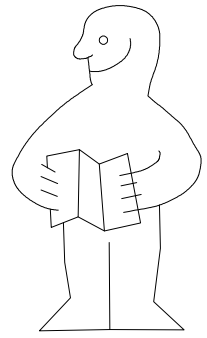
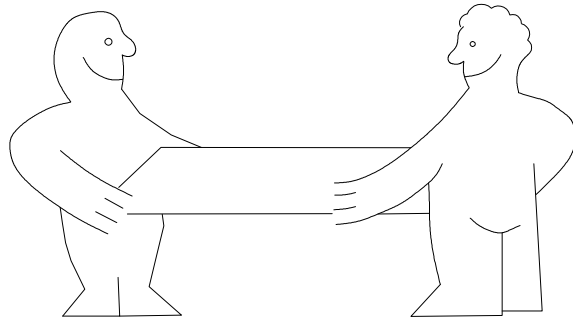
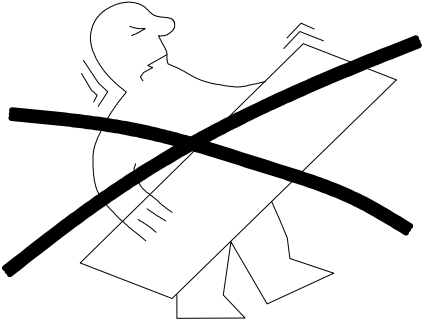




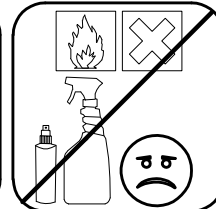
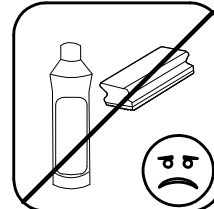
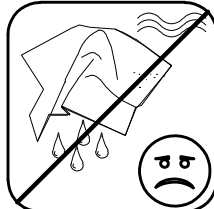
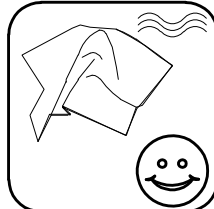
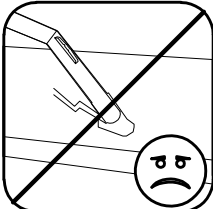
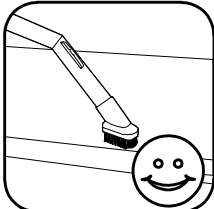
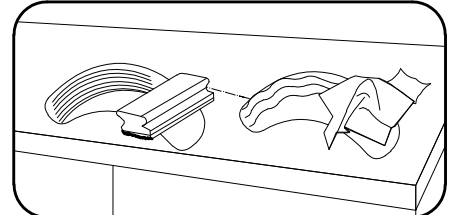
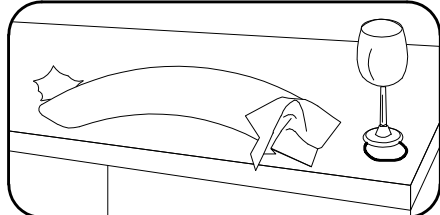
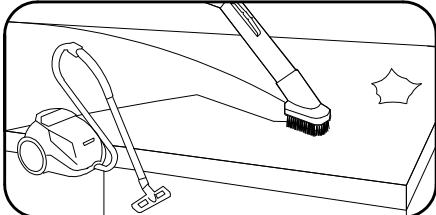
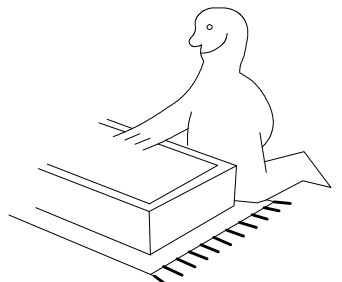
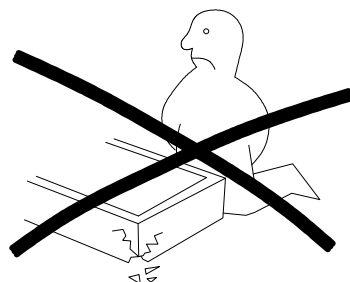
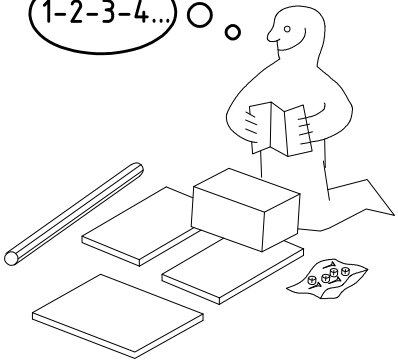
980719




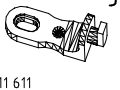
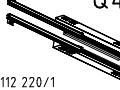
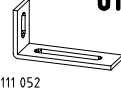
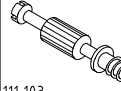


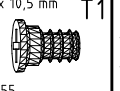
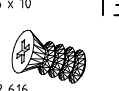


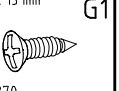
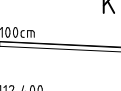
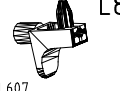

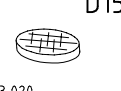
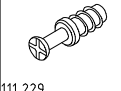

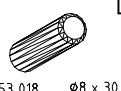

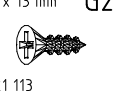
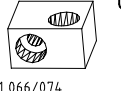
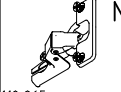
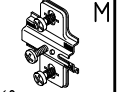

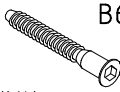
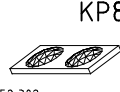

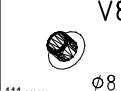
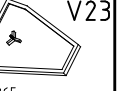


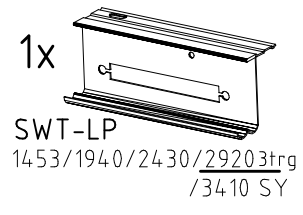
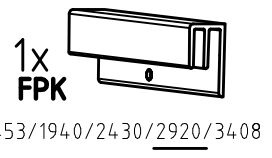
HSP 300 2trg MM

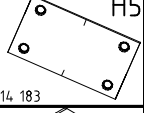
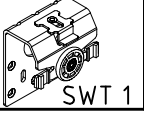


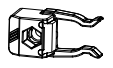
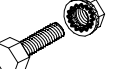
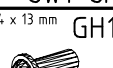
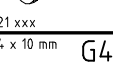
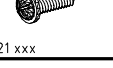
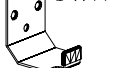
1-2-3-4... ○

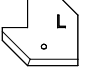

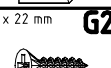
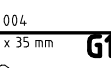



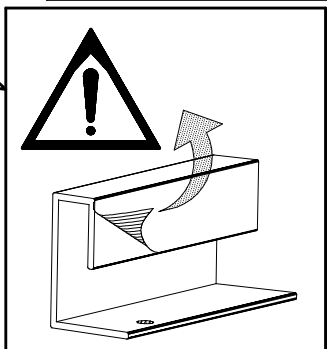
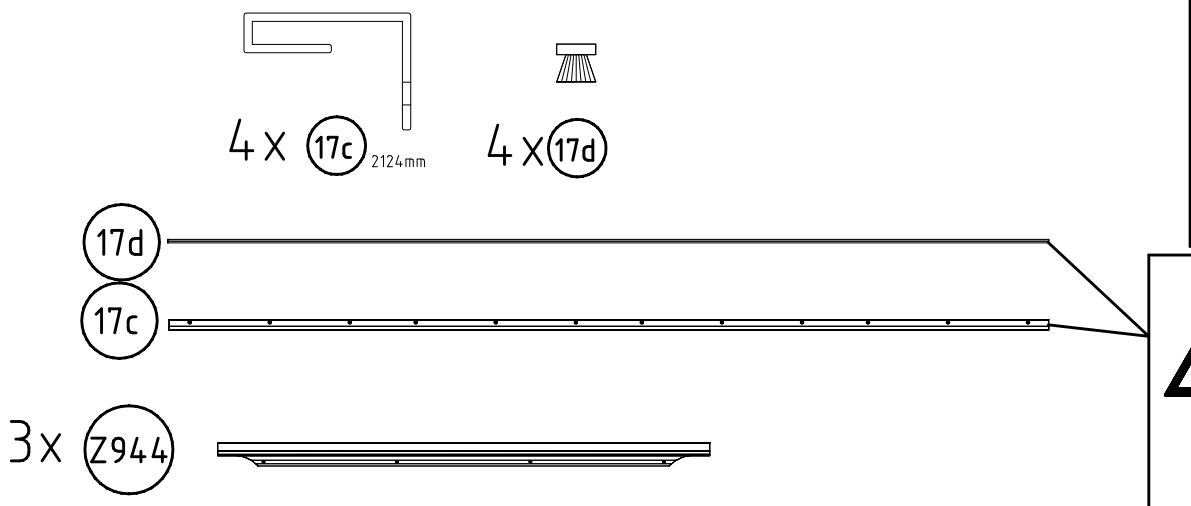
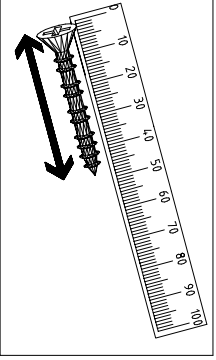
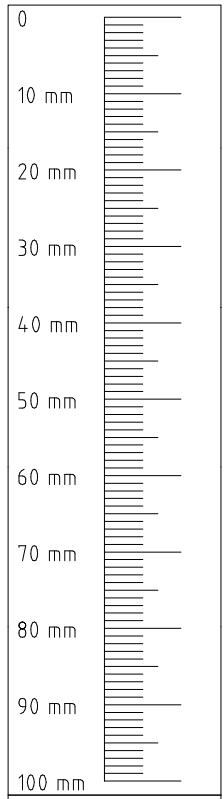
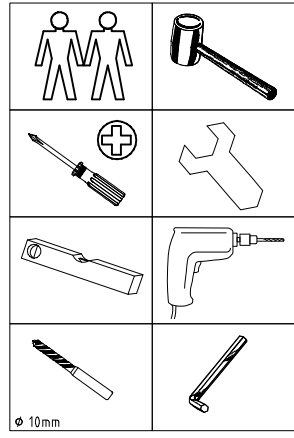
|   |    |     |  |      |     |  |      |     |  |    |     |   |      |     |  |      |                |
|---|----|-----|--|------|-----|--|------|-----|--|----|-----|---|------|-----|--|------|----------------|
| <br>111 149        | A1 | 24x | <br>111 300                        | S0   | 15x | <br>117 002                          | K2   | 4x  | <br>111 611  | J2 | 8x  | <br>112 220/1             | Q45  | 3x  | <br>111 052      | o10  | 1x             |
| <br>111 103       | C  | 8x  | <br>111 xxx<br>φ12<br>3,5 x 15 mm | V12  | 15x | <br>117 002                         | SBV  | 26x | <br>112 055 | T1 | 36x | <br>112 616              | T3   | 12x | <br>121 122     | SP13 | 4 X 13mm<br>1x |
| <br>111 229       | F3 | 8x  | <br>121 370                       | G1   | 54x | <br>100cm<br>112 400                | K10  | 2x  | <br>111 607 | L8 | 16x | <br>4 X 27mm<br>122620   | SP27 | 34x | <br>353 020     | D15  | 15x            |
| <br>111 229       | F  | 12x | <br>111 252                       | VB23 | 12x | <br>353 018<br>φ8 x 30<br>4 X 23 mm | D    | 6x  | <br>163 007 | Z  | 4x  | <br>3 x 13 mm<br>121 113 | G21  | 12x | <br>111 066/074 | U    | 2x             |
| <br>112 265       | N2 | 4x  | <br>112 268                       | M    | 4x  | <br>121117                          | SP23 | 4x  | <br>111 641 | B6 | 4x  | <br>352 302              | KP8  | 14x | <br>111 xxx     | V40  | 3x             |
| <br>111 xxx<br>φ8 | V8 | 8x  | <br>111 265                       | V23  | 12x |  |      |     |  |    |     |   |      |     |  |      |                |

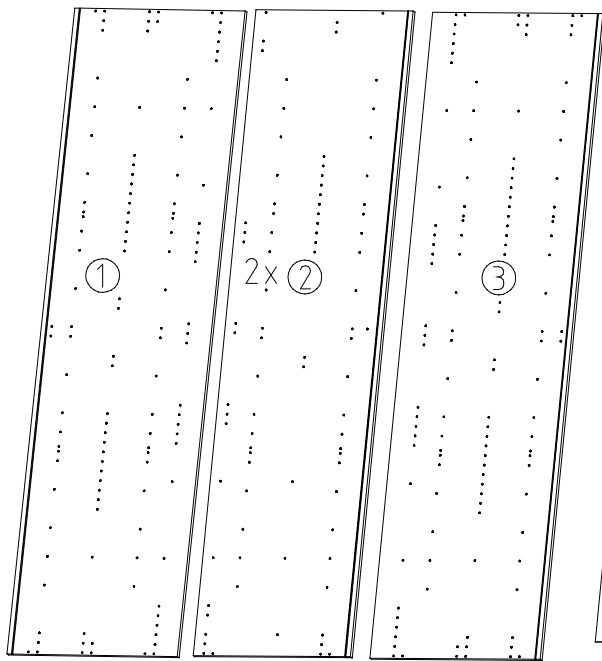


|  |       |    |
|--|-------|----|
| <br>114 183 | H5    | 4x |
|             | SWT 1 | 4x |

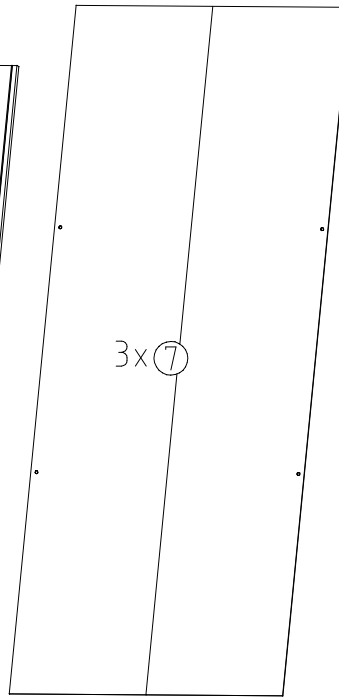
|  |         |     |
|--|---------|-----|
|                             | SWT-ST  | 2x  |
|                             | SWT-SM5 | 2x  |
| <br>M4 x 13 mm             | GH13    | 6x  |
| <br>121 xxx<br>M4 x 10 mm | G43     | 6x  |
|                           | SWH 6   | 4x  |
| <br>6,3 x 10,5 mm         | T2      | 34x |

|   |         |     |
|---|---------|-----|
|                              | SWH-SKL | 1x  |
|                              | SWH-SKR | 1x  |
| <br>3,5 x 22 mm             | G24     | 9x  |
| <br>121 004<br>3,5 x 35 mm | G14     | 2x  |
| <br>4 X 13mm               | SP13    | 96x |

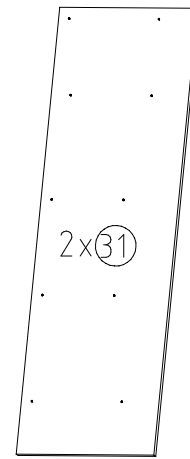




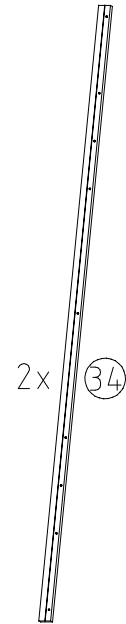
2160x607x15    2160x560x15    2160x607x15



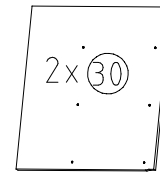
2111x973x2,5



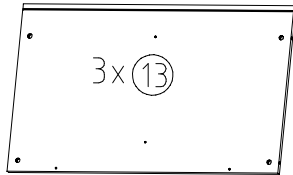
1495x490x15



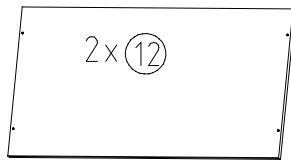
2059x42x15



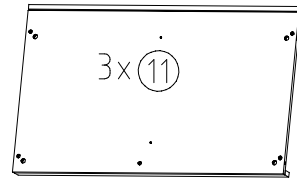
545x490x15



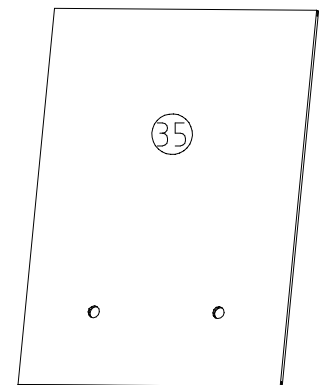
964x560x15



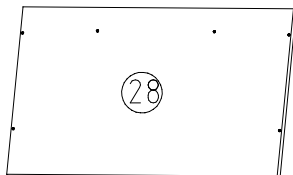
964x500x18



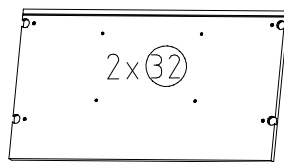
964x560x47



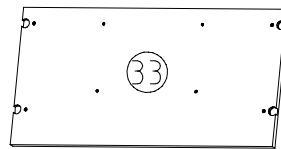
1258x934x15



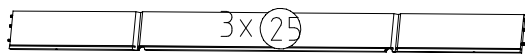
964x560x22



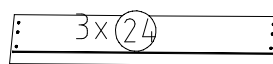
934x500x22



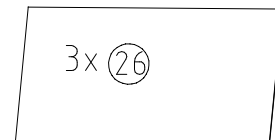
934x459x22



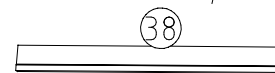
450/919/450x126x12



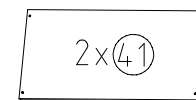
944x163x15



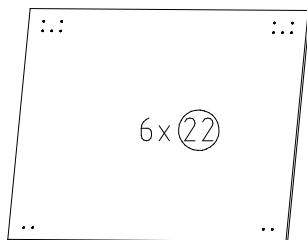
905x449x2,5



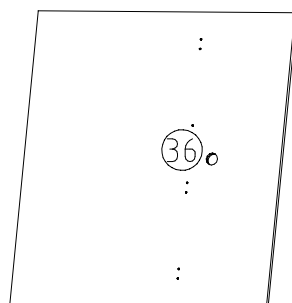
944x85x15



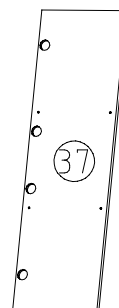
635x298x15



990x708x15



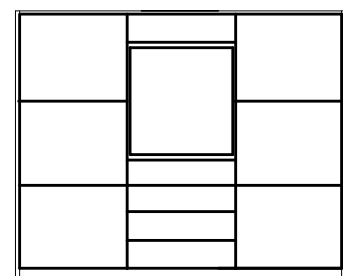
982x914x15



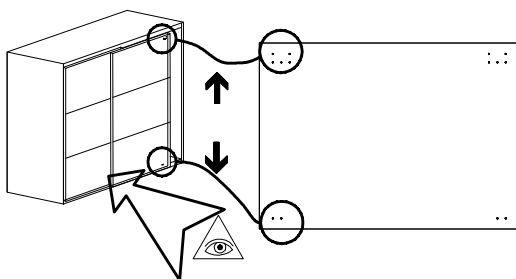
1002x299x15



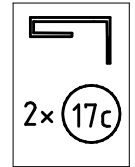
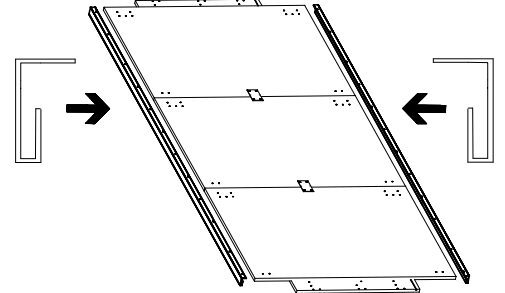
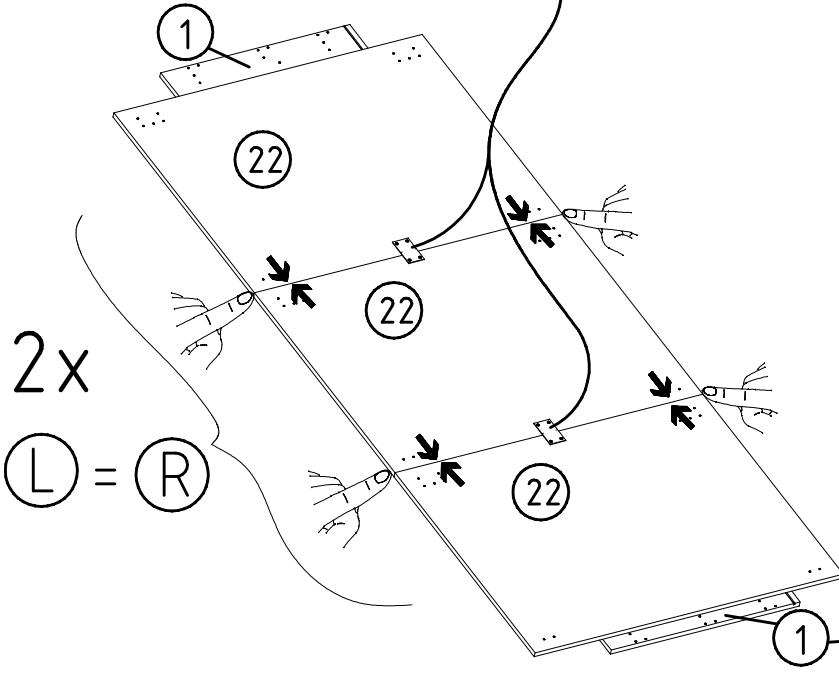
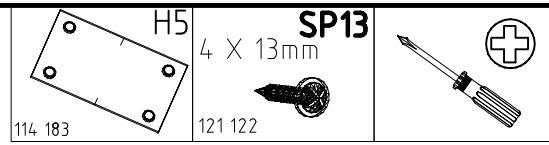
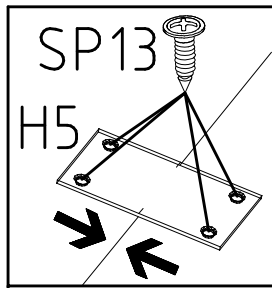
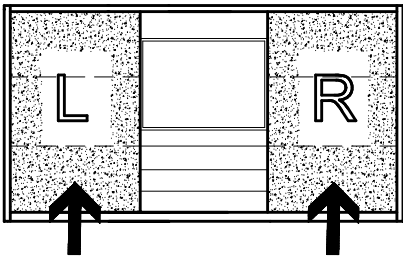
934x171x15



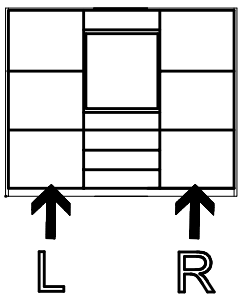
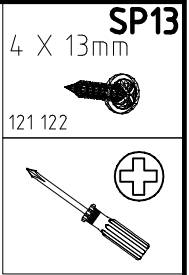
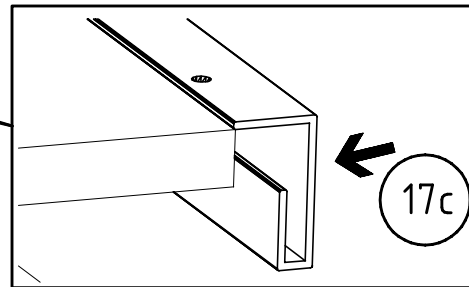
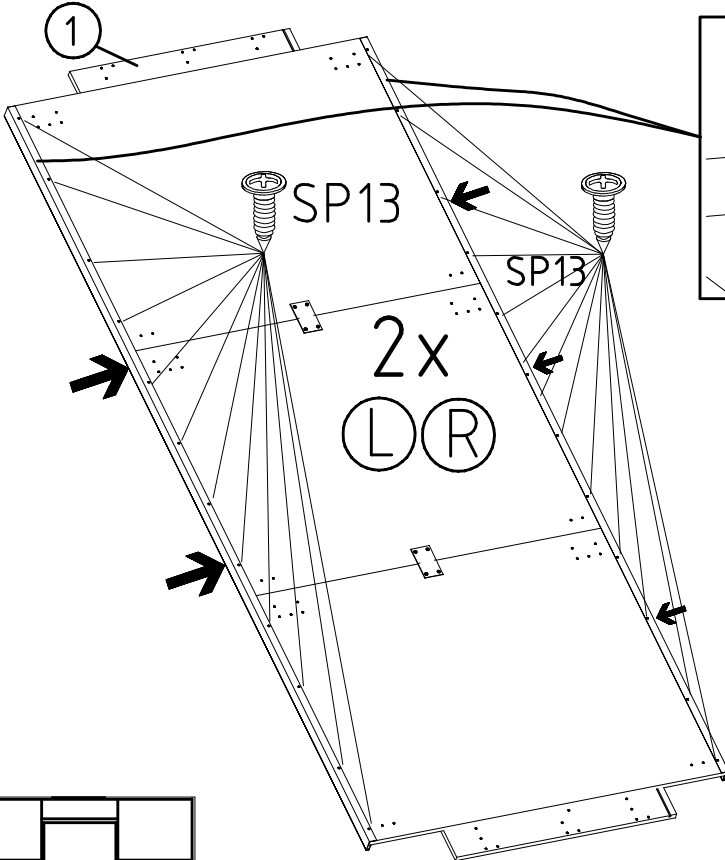
L M R



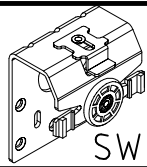
1



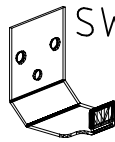
2



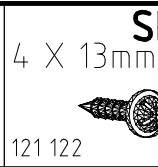
3



SWT 1



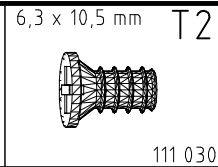
SWH 6



SP13

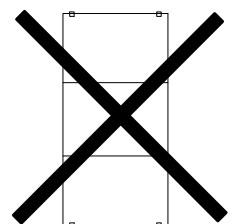
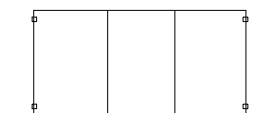
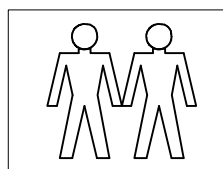
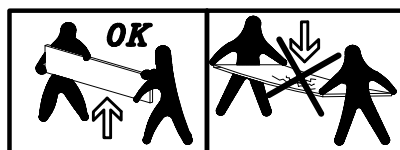
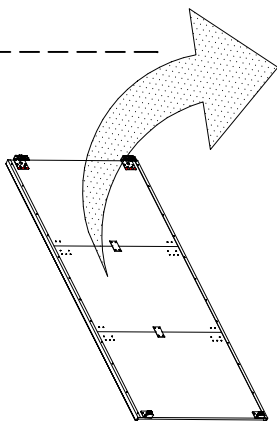
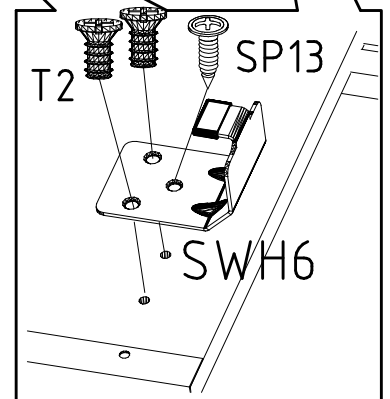
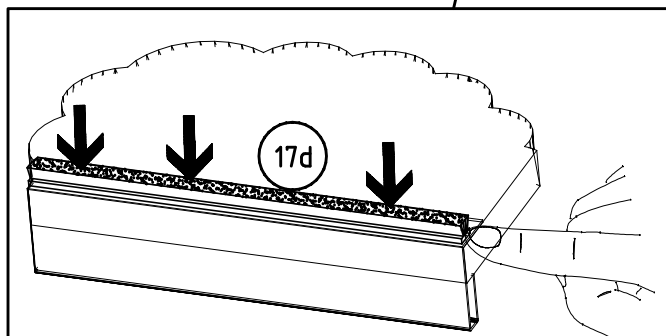
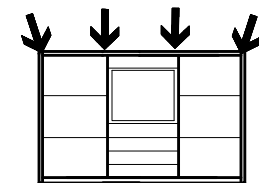
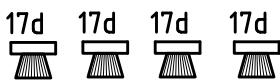
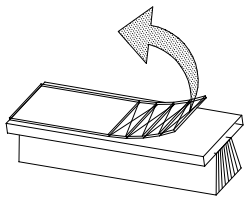
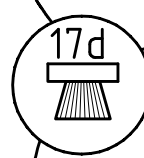
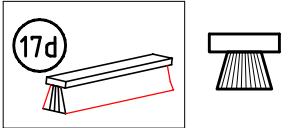
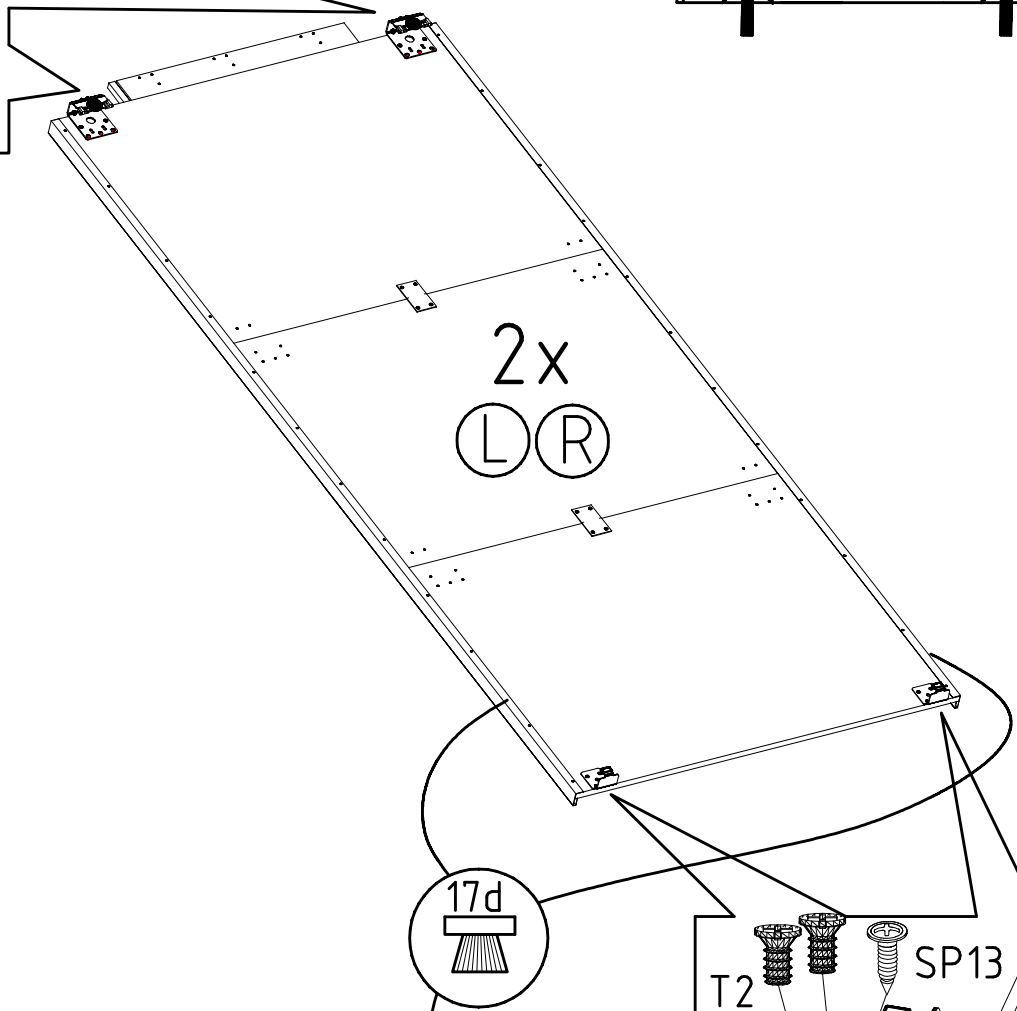
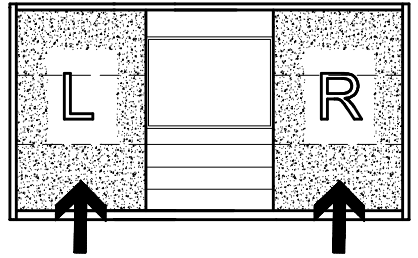
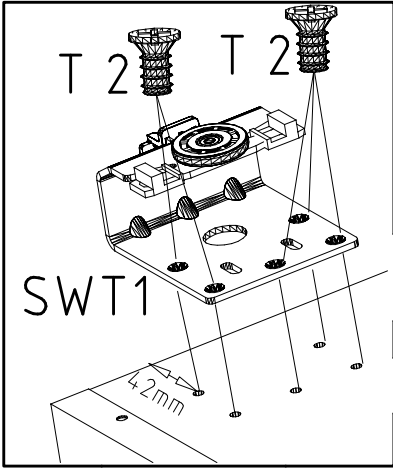
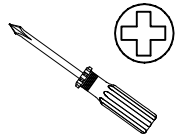
4 X 13mm

121 122



6,3 x 10,5 mm T2

111 030



**4**

3,5 x 15 mm G1

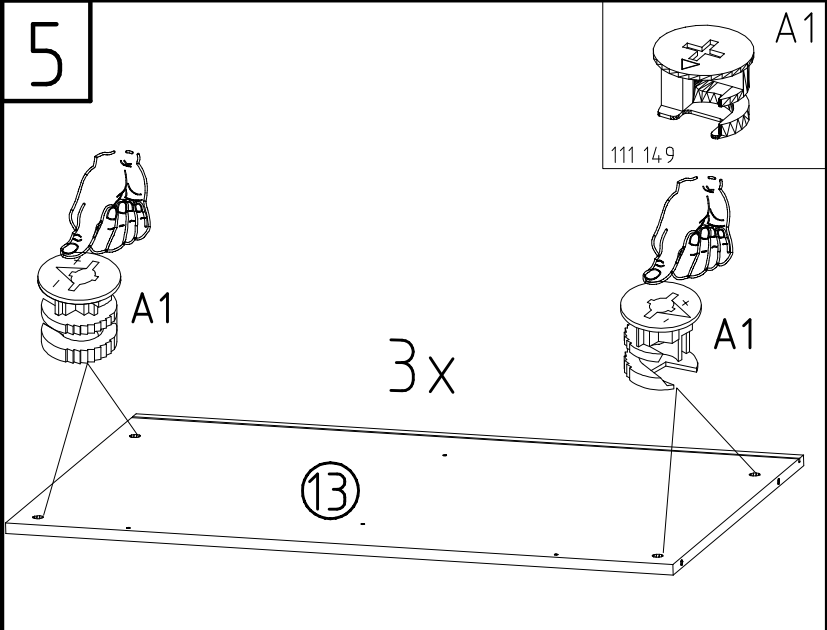
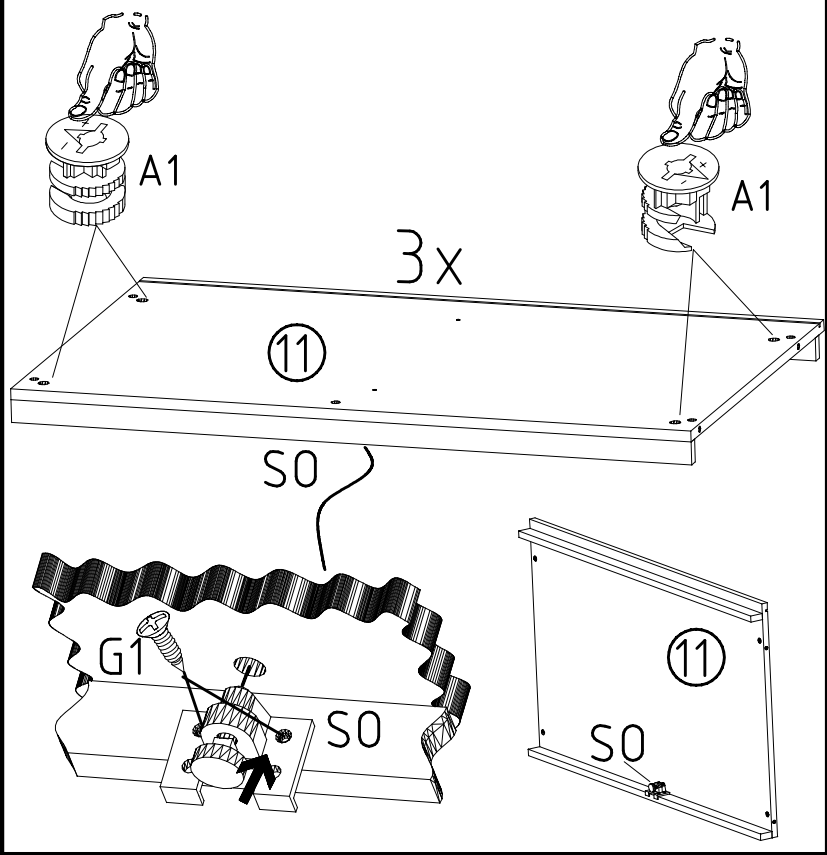
S0

A1

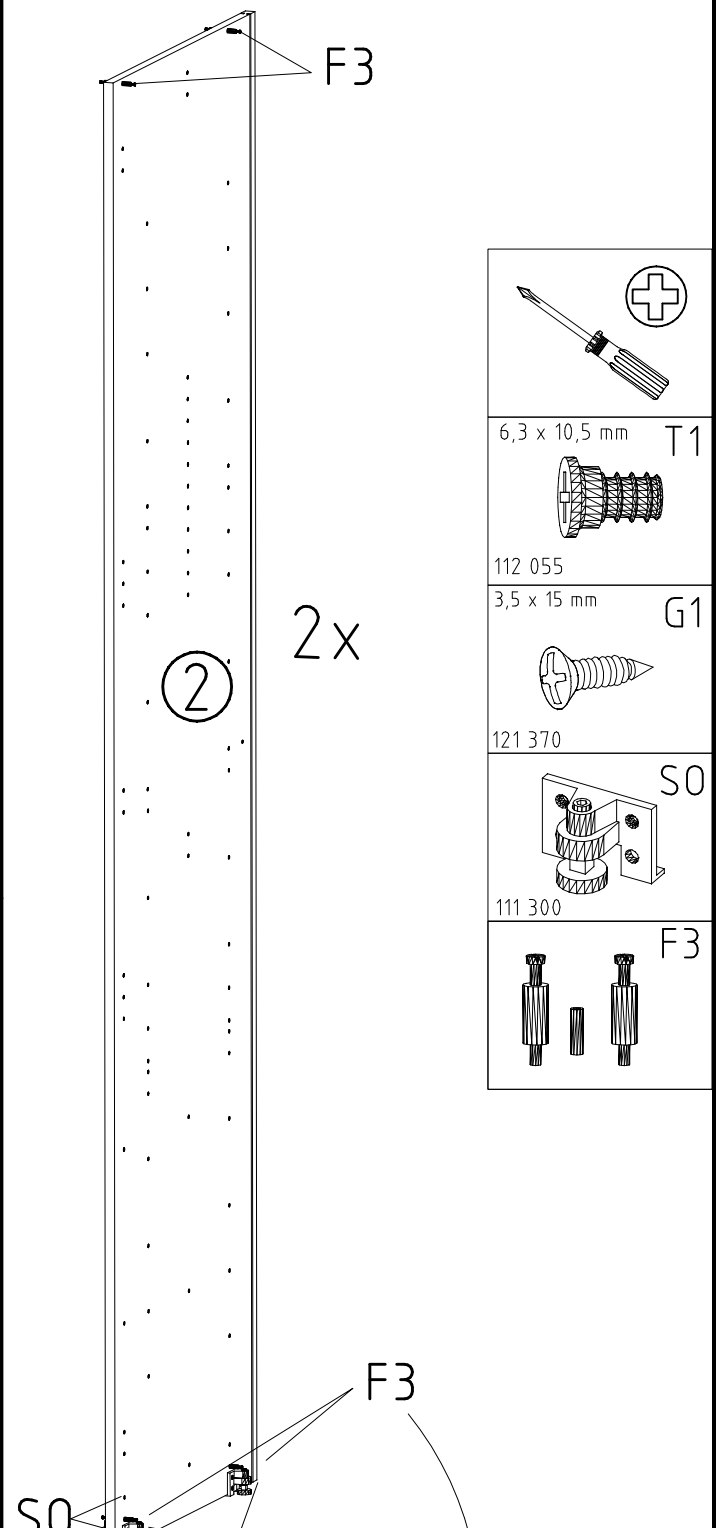
121 370

111 300

111 149



**6**



6,3 x 10,5 mm T1

112 055

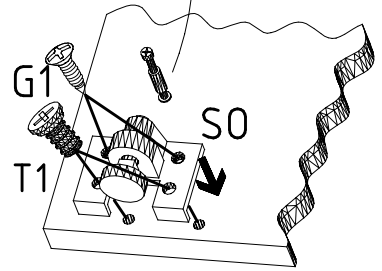
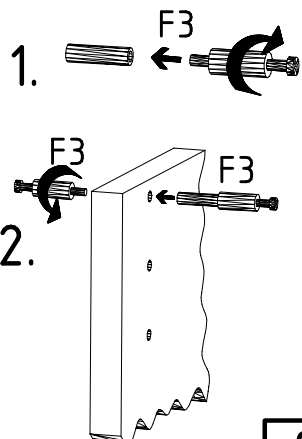
3,5 x 15 mm G1

121 370

S0

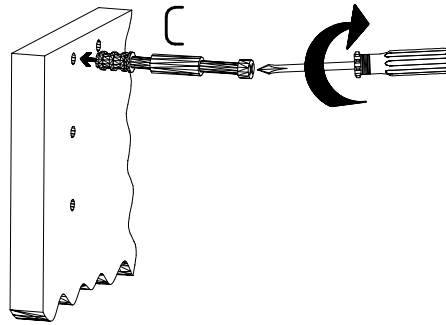
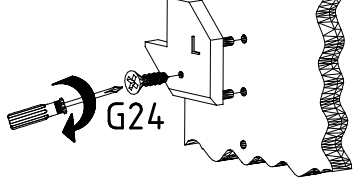
111 300

F3

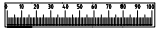
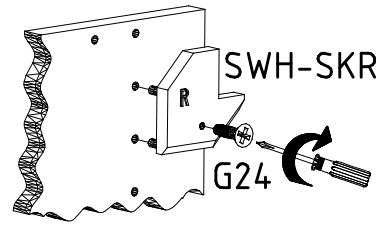


7

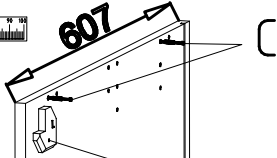
SWH-SKL



SWH-SKR



607

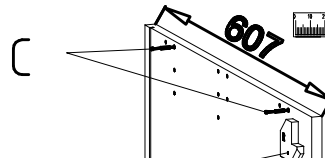


SWH-SKL  
+G24

1

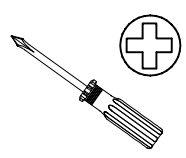


607

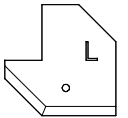


SWH-SKR  
+G24

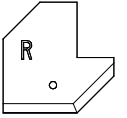
3



SWH-SKL



SWH-SKR

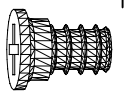


3,5 x 22 mm G24



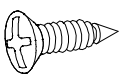
121 004

6,3 x 10,5 mm T1

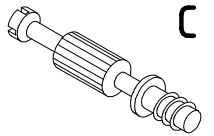


112 055

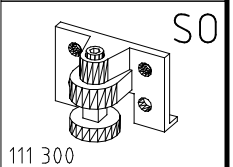
3,5 x 15 mm G1



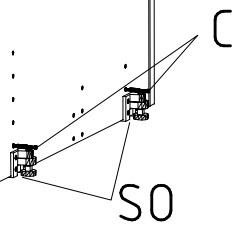
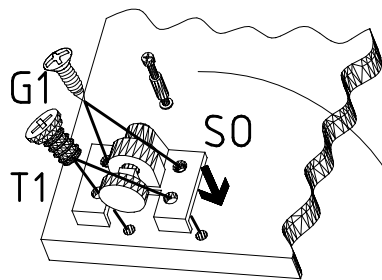
121 370



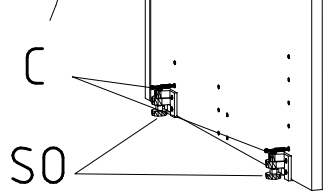
111 103



111 300

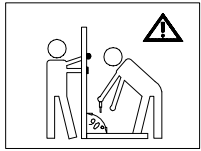


SO

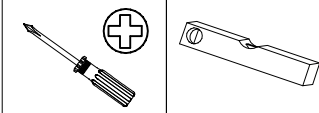
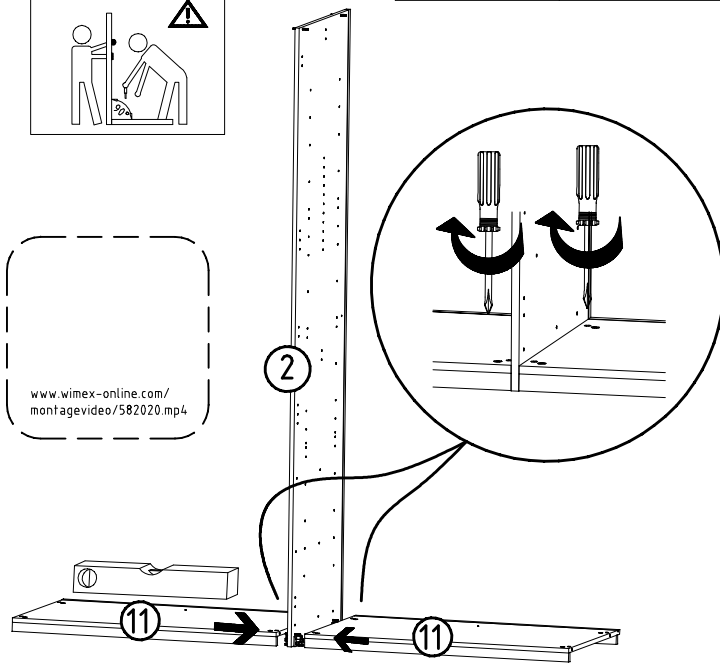


SO

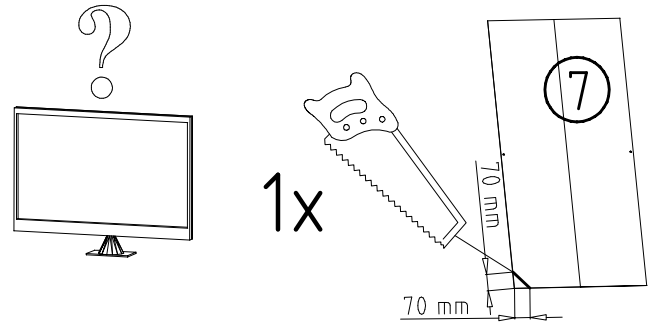
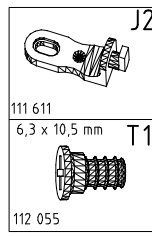
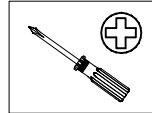
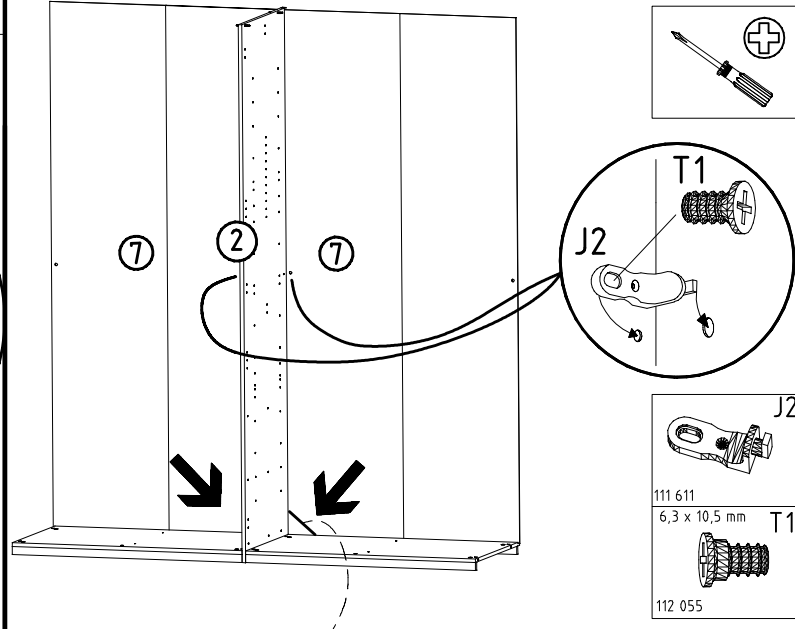
8



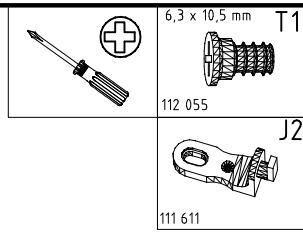
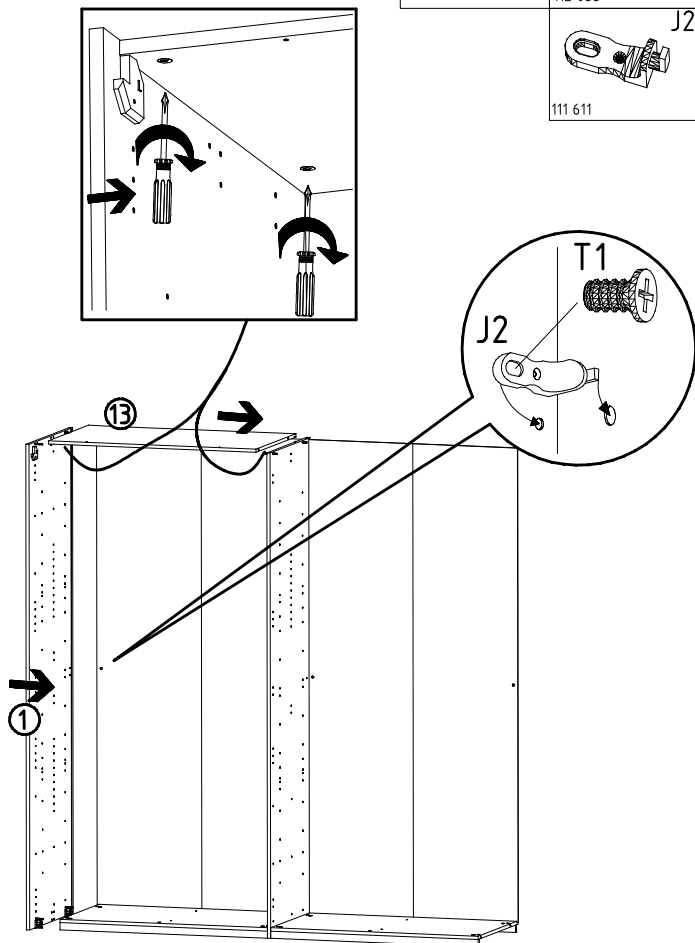
www.wimex-online.com/  
montagevideo/582020.mp4



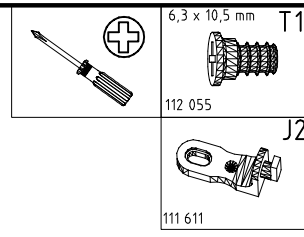
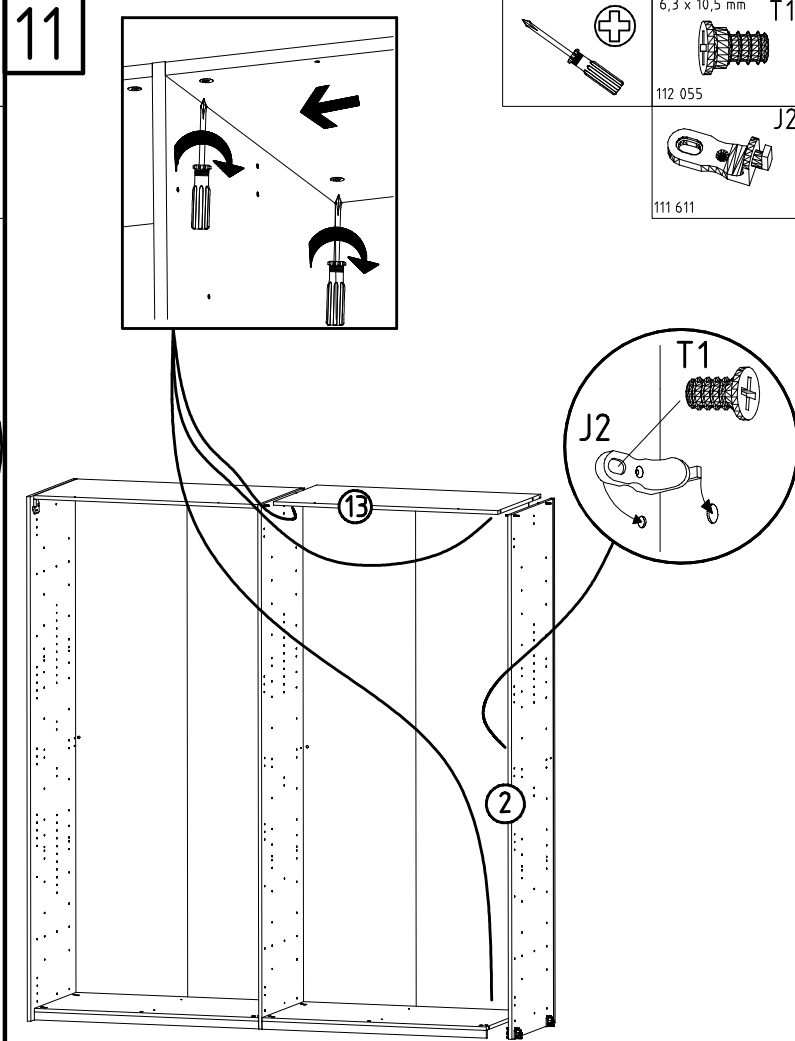
9



10

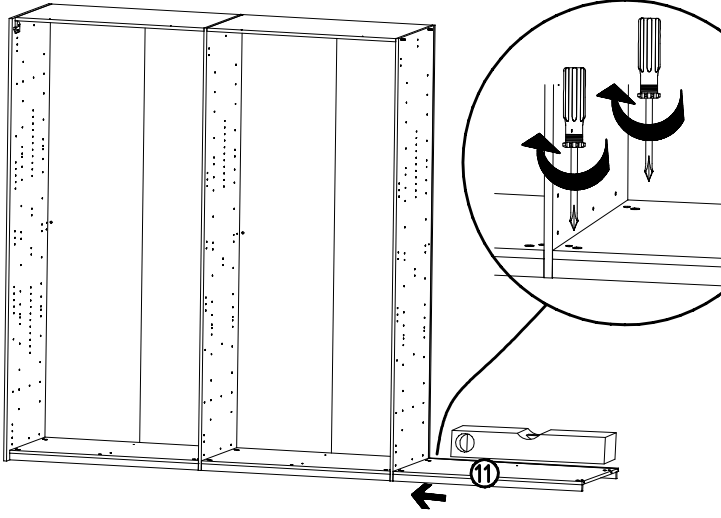
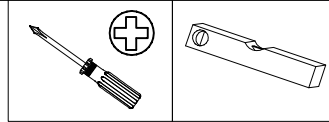
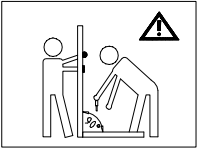


11

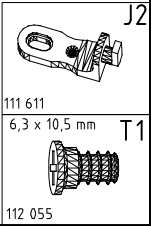
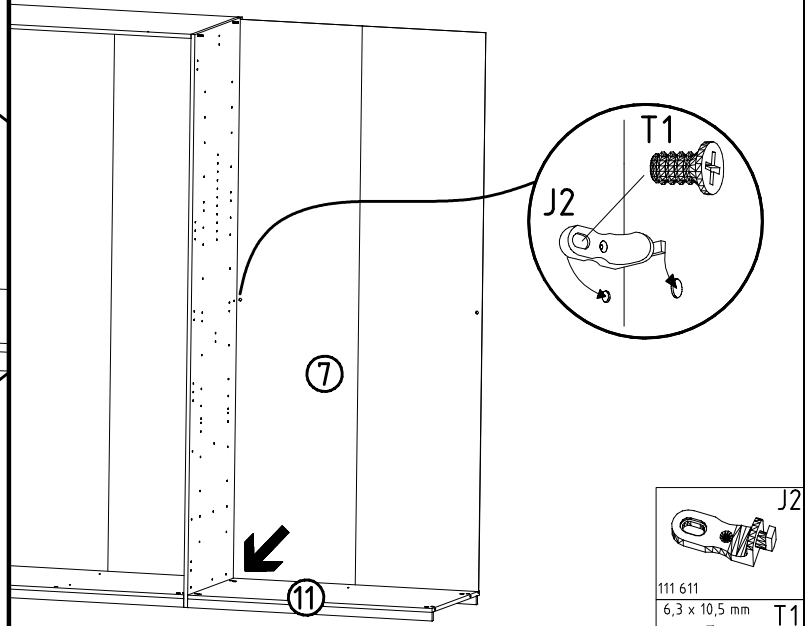
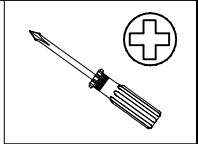




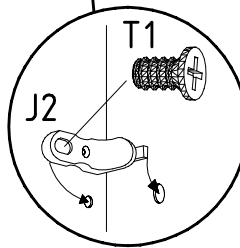
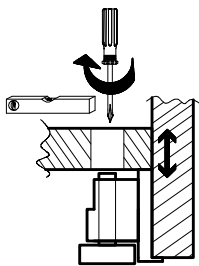
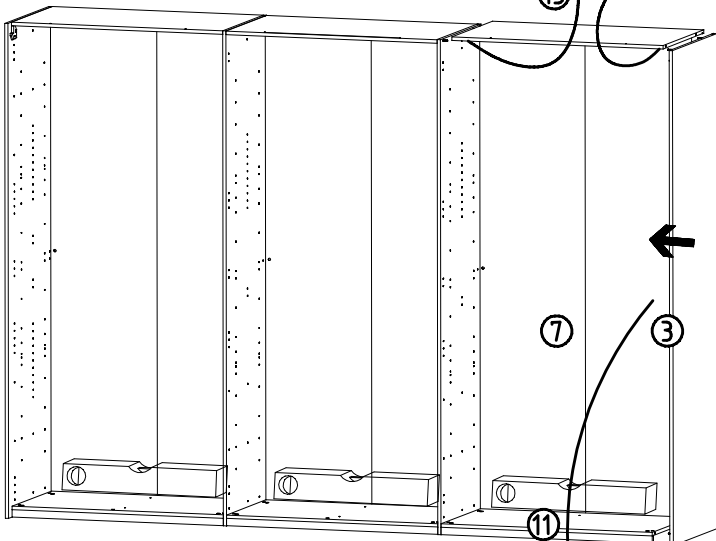
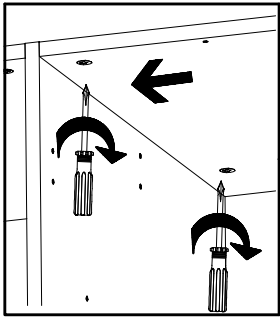
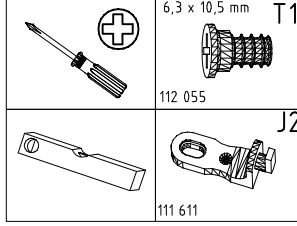
12



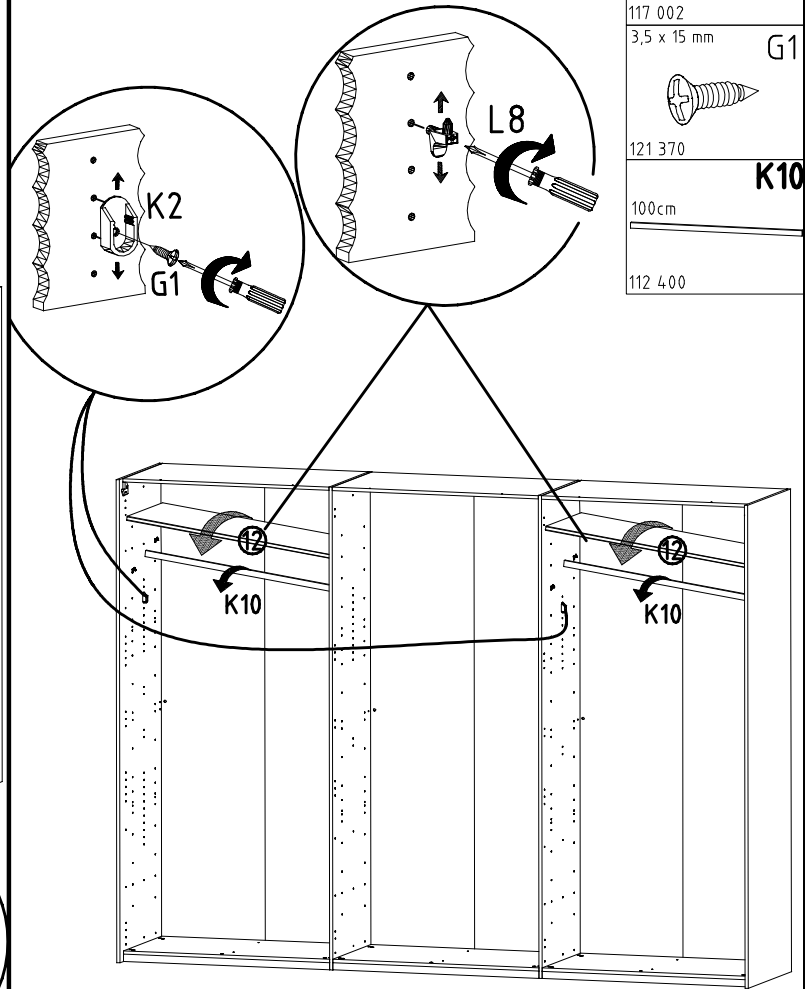
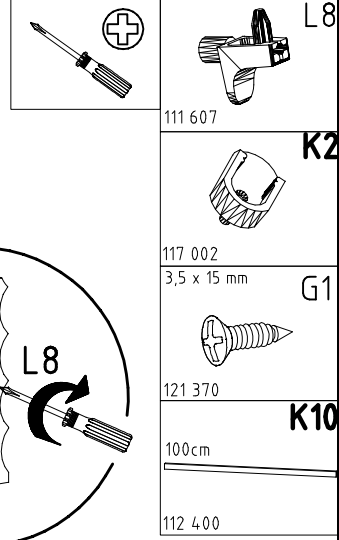
13



14



15



980719

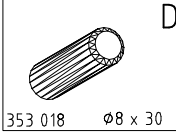
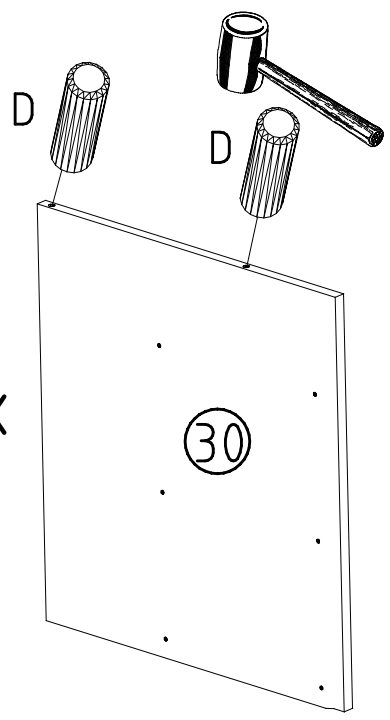
26.06.17 / 19.12.17

12 17

9/24

16

2x

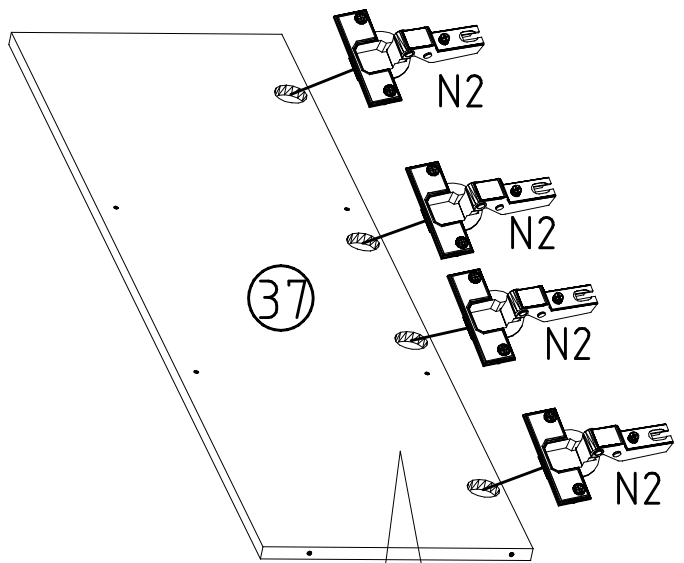
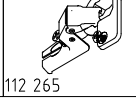
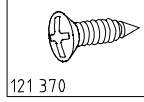


18

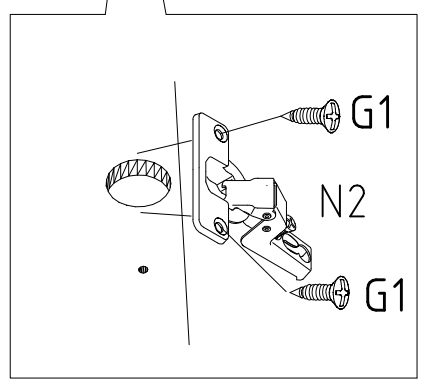
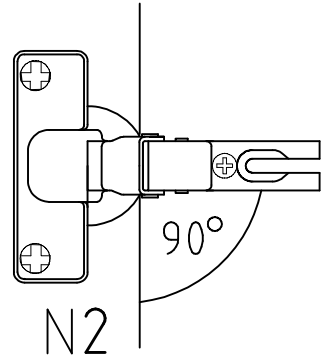
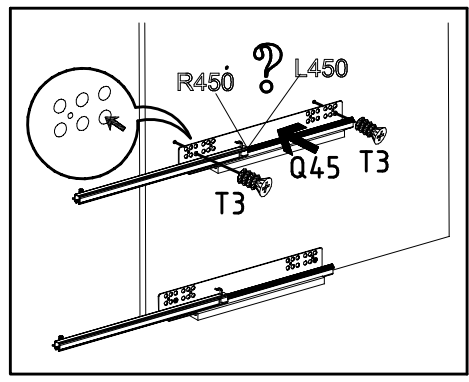
3,5 x 15 mm

G1

N2



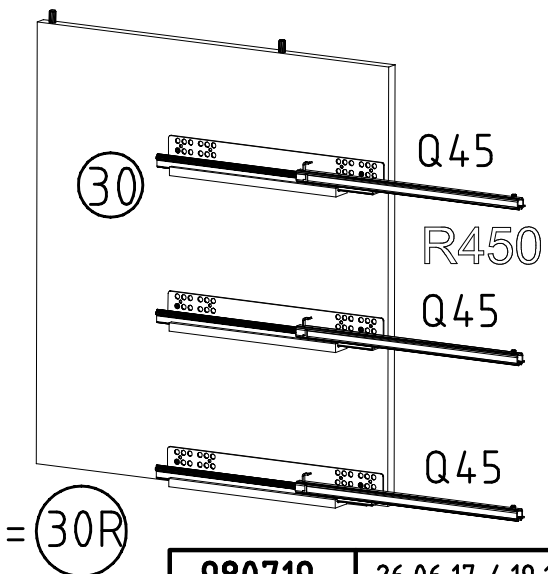
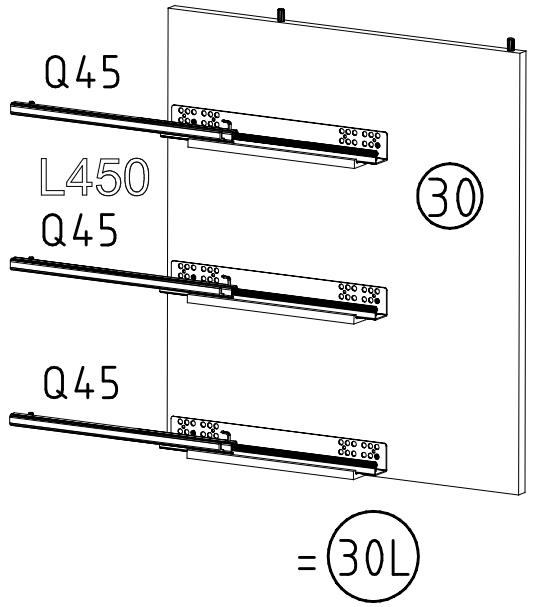
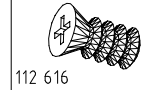
17



M6 x 10

T3

Q45



980719

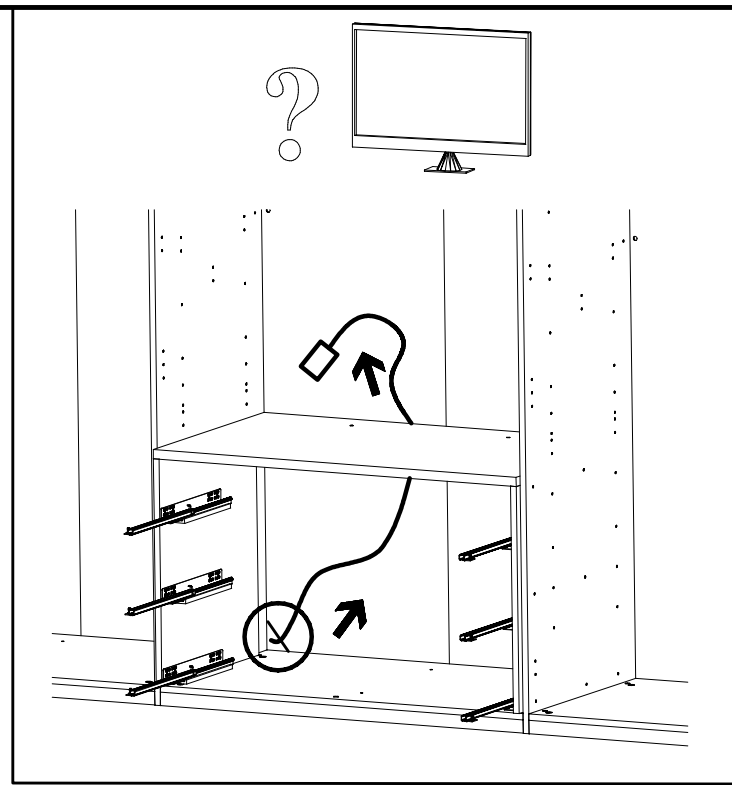
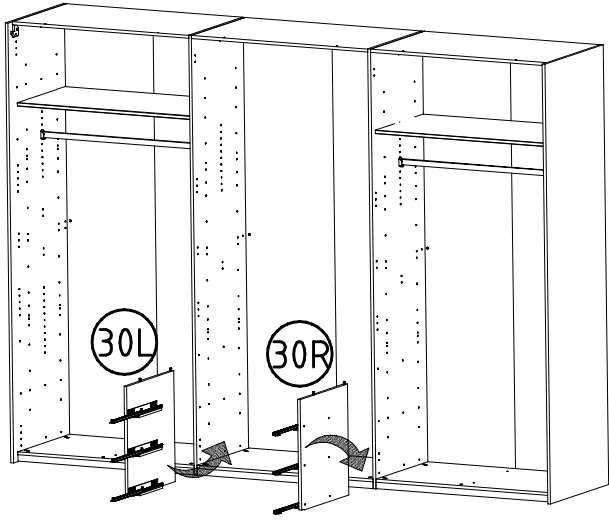
26.06.17 / 19.12.17

12 17

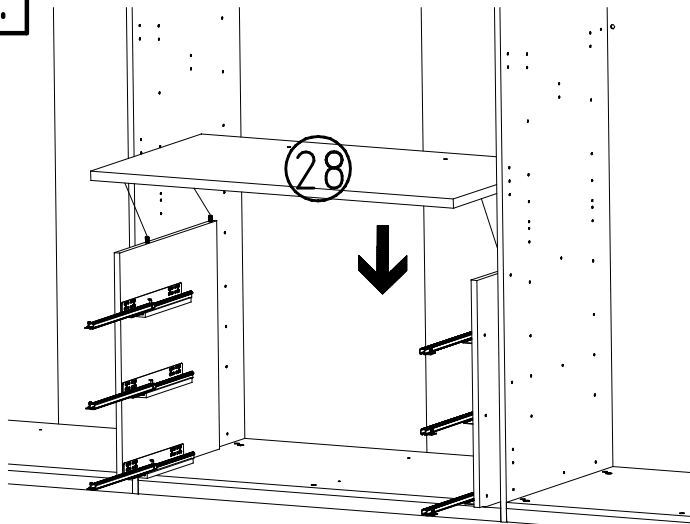
10/24

19

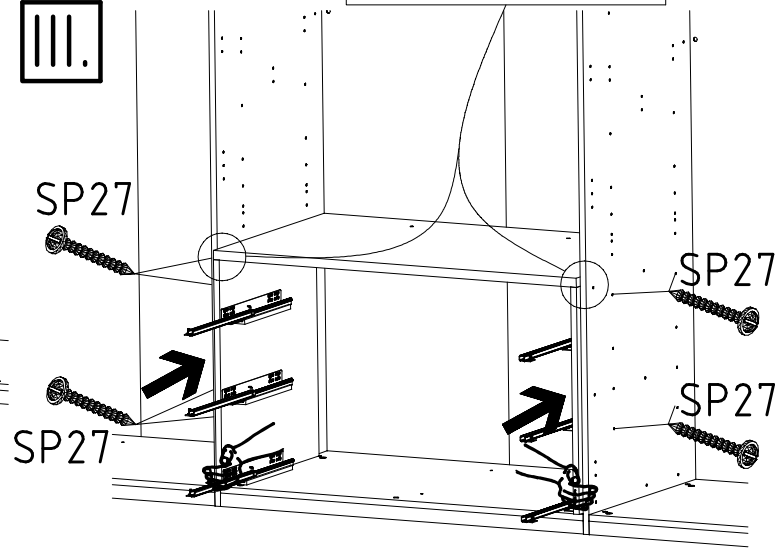
I.



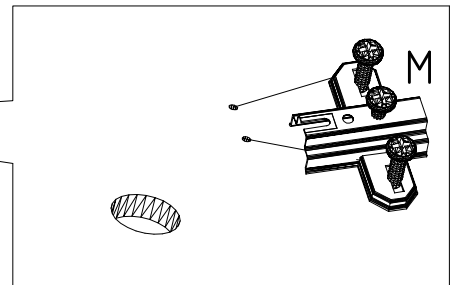
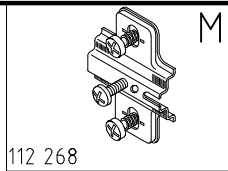
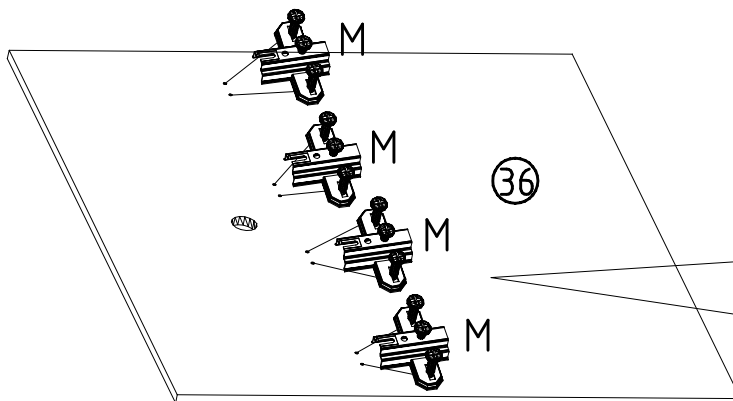
II.



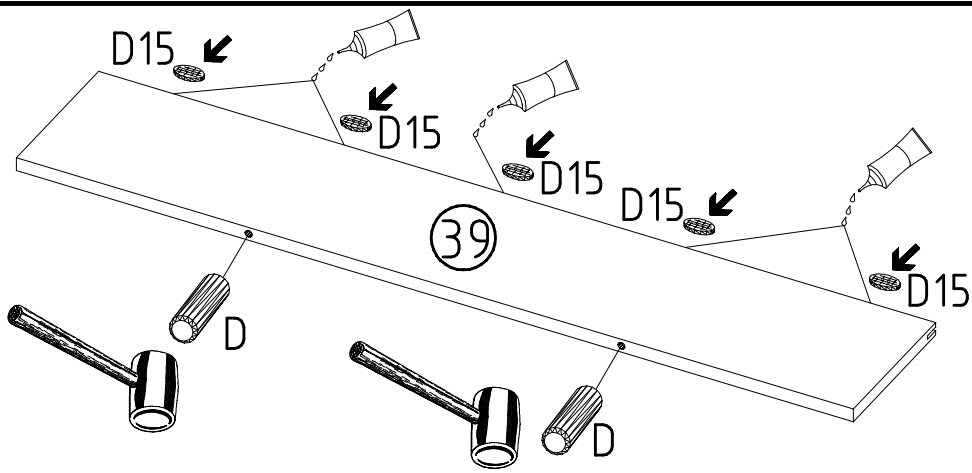
III.



20



22



D15

353 020

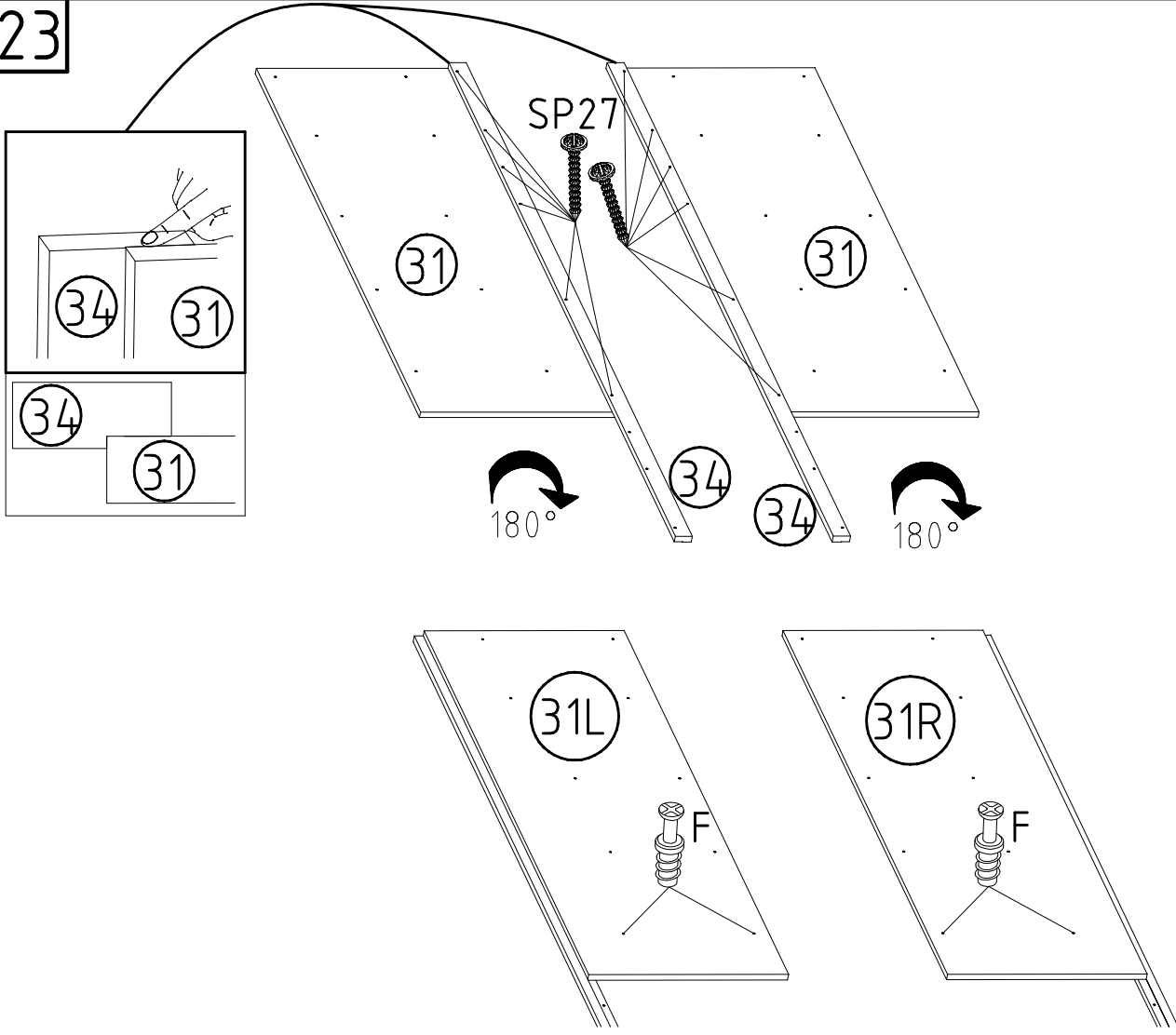
Z

163 007

D

353 018  $\phi 8 \times 30$

23



SP27

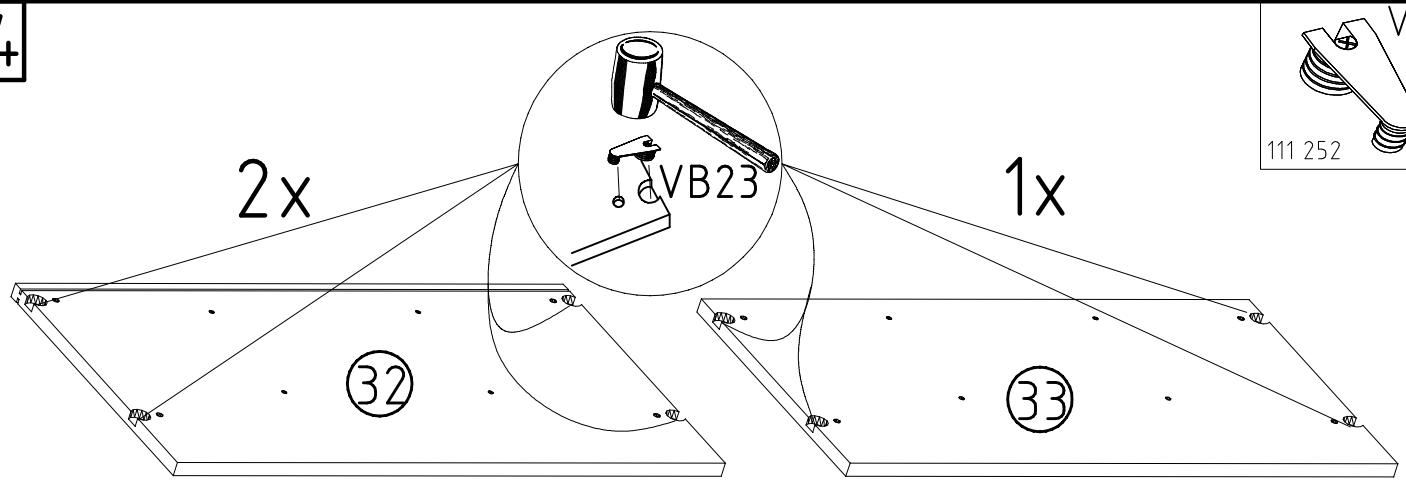
4 X 27mm

122620

F

111 229

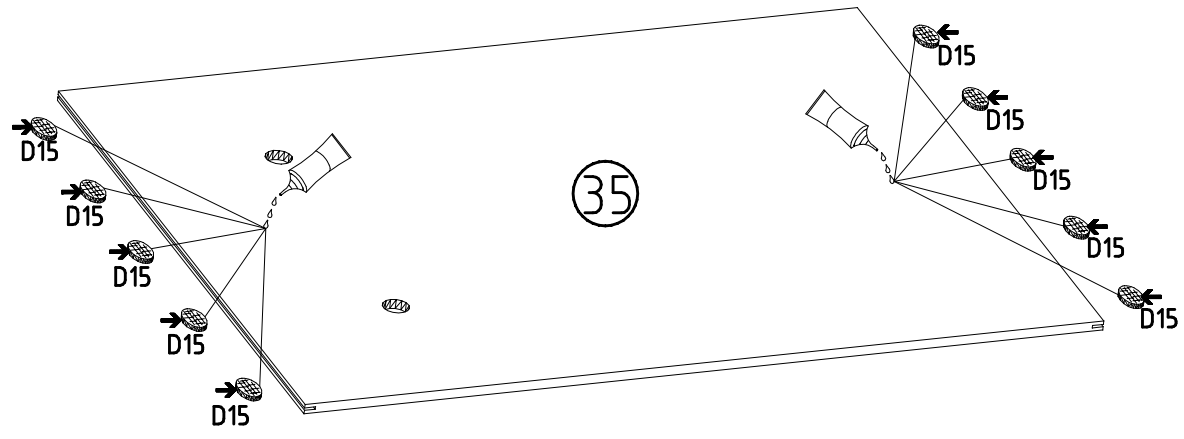
24



VB23

111 252

24



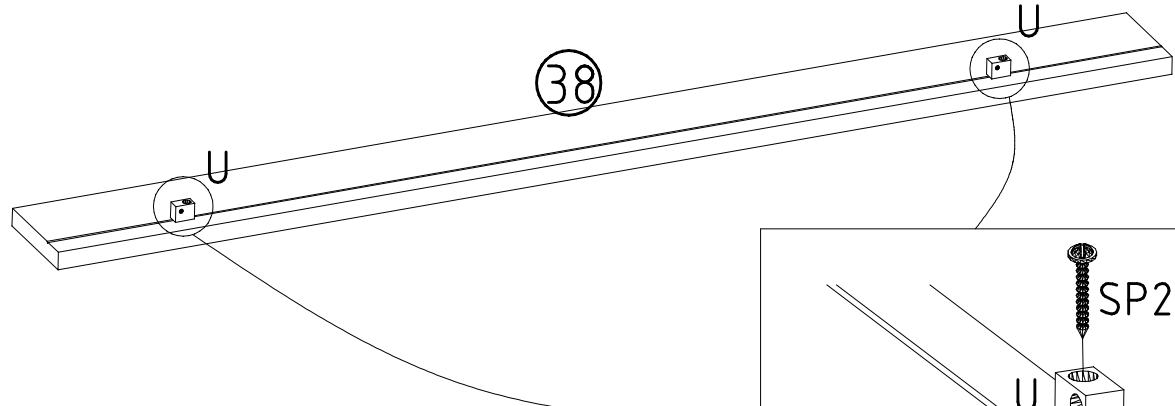
D15

353 020

Z

163 007

25

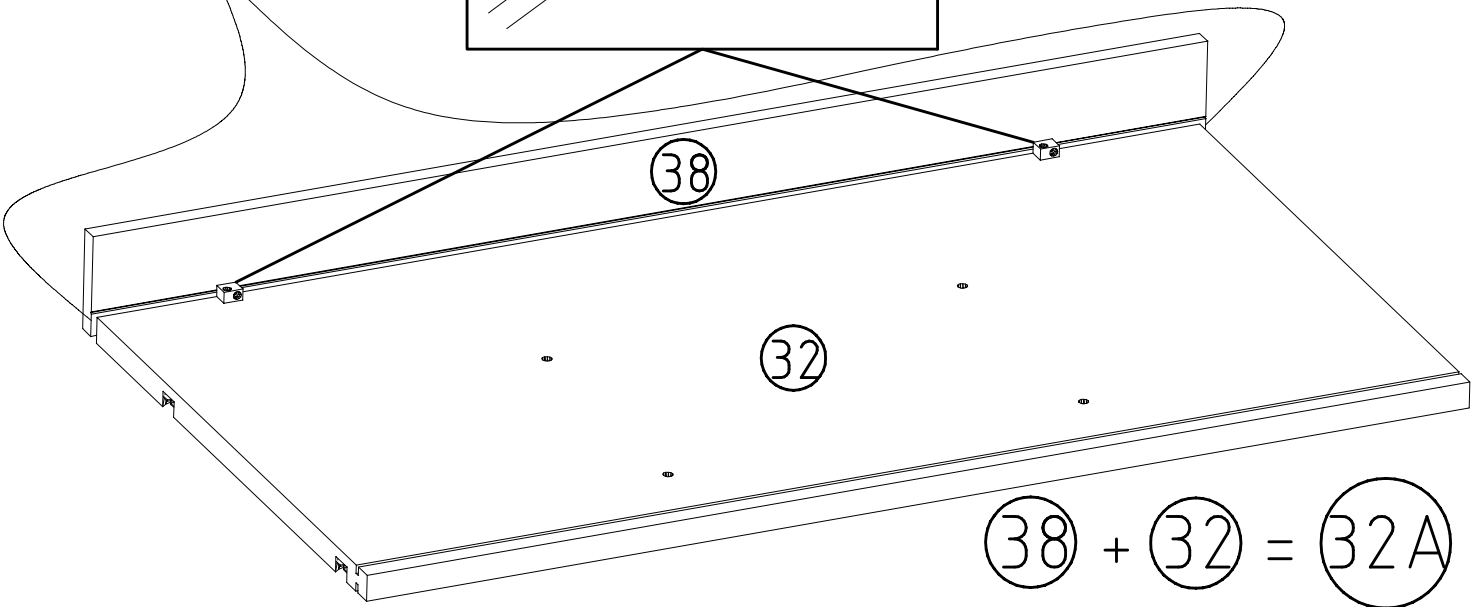
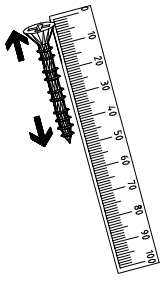
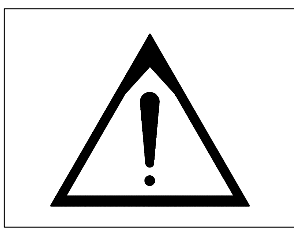
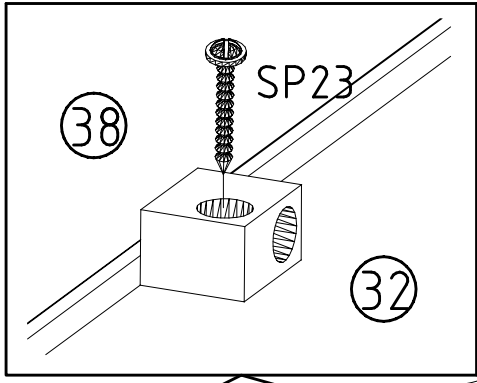
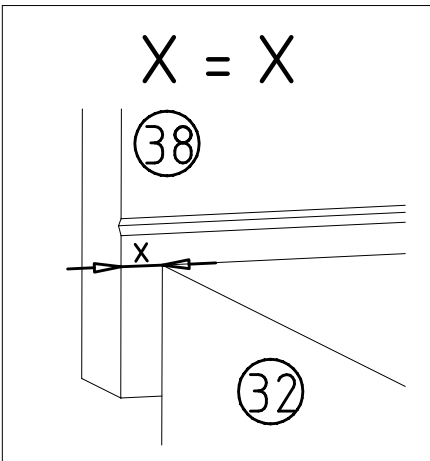
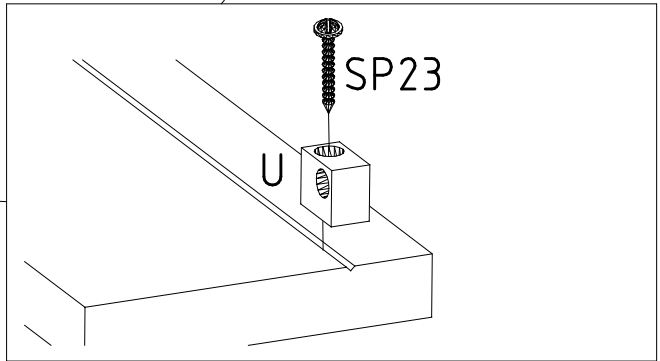


U

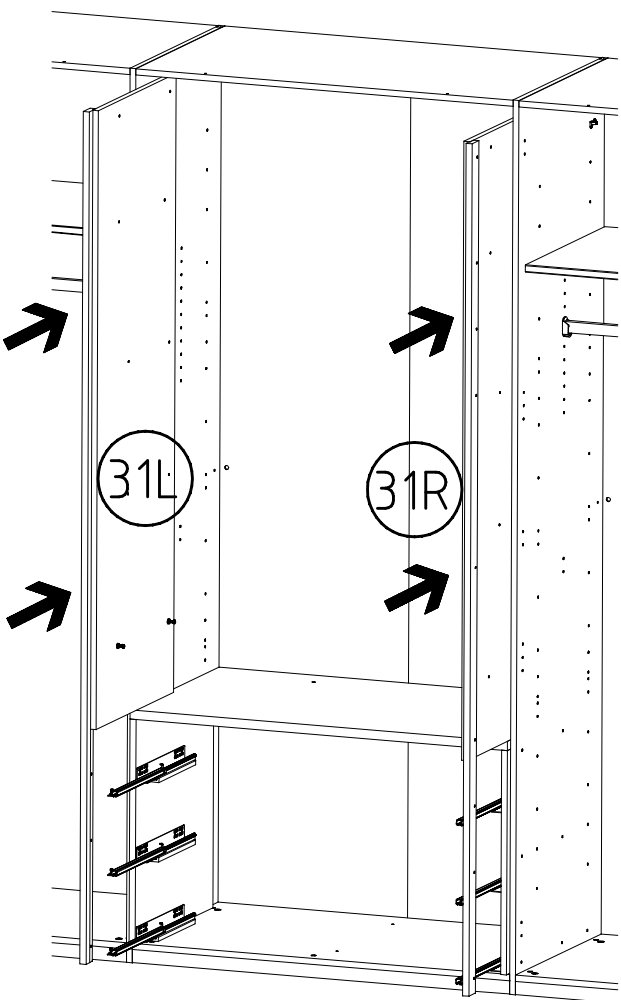
111 066/074

4 X 23 mm SP23

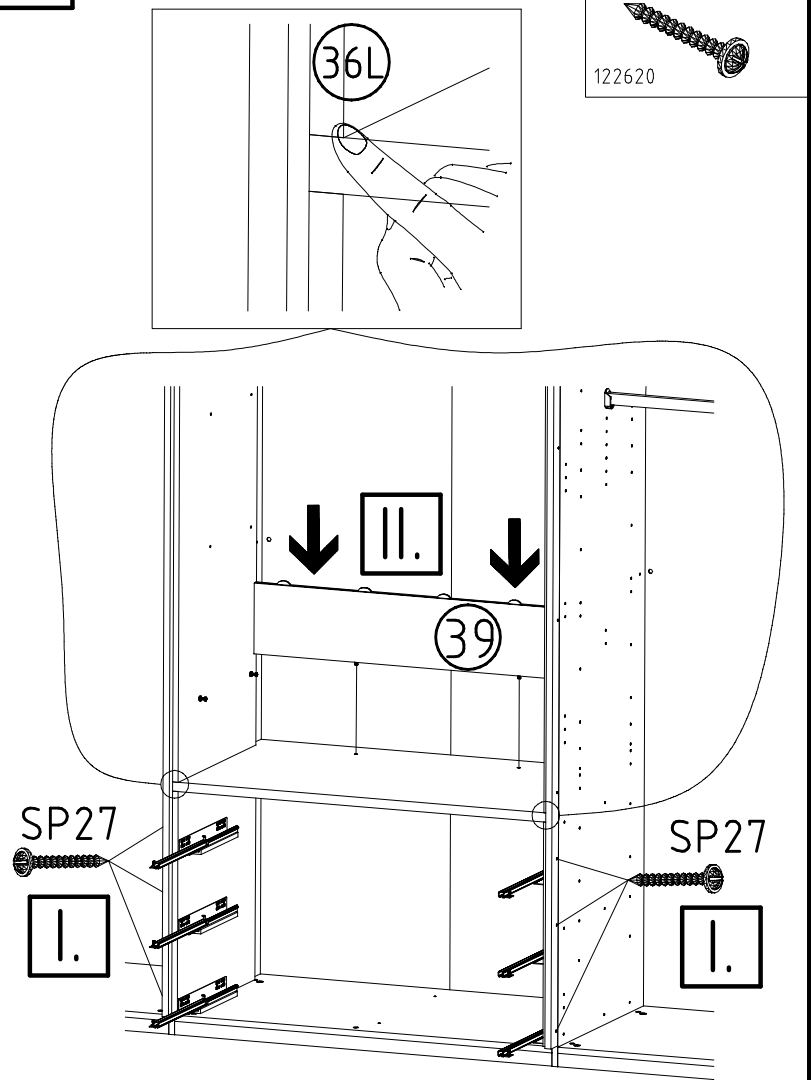
121117



27

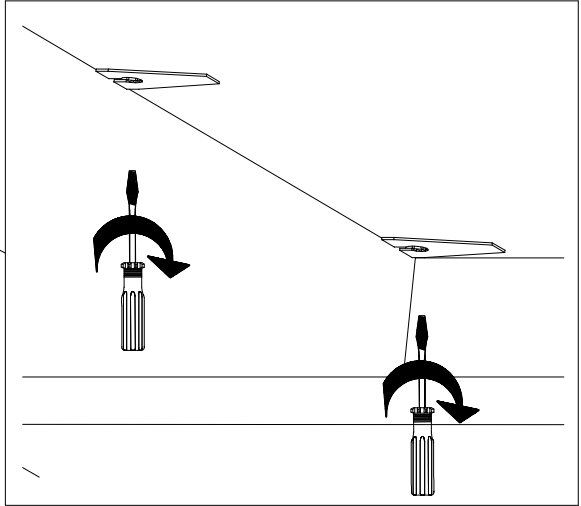
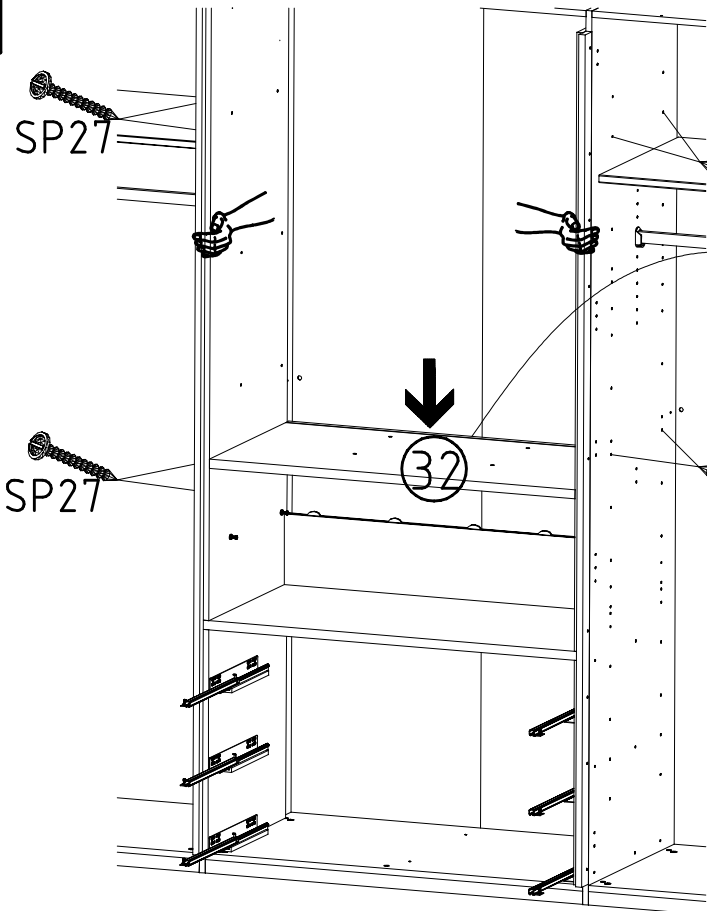


28



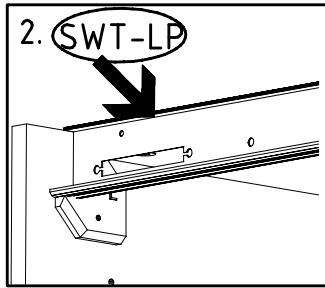
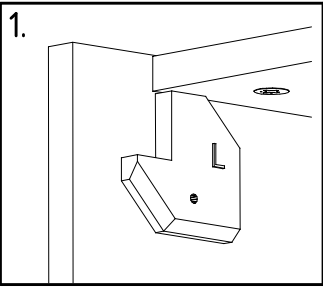
**SP27**  
4 X 27mm  
122620

29

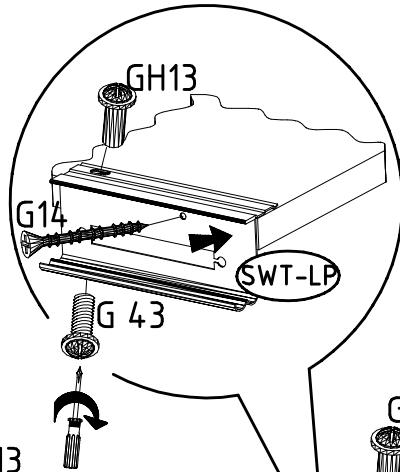
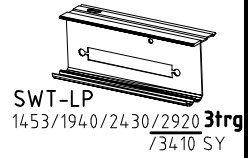


**SP27**  
4 X 27mm  
122620

30



|                              |                               |                               |        |         |
|------------------------------|-------------------------------|-------------------------------|--------|---------|
| M4 x 10 mm<br>G43<br>121 xxx | M4 x 13 mm<br>GH13<br>121 xxx | 3,5 x 35 mm<br>G14<br>121 375 | SWT-ST | SWT-SM5 |
|------------------------------|-------------------------------|-------------------------------|--------|---------|



SWT-LP

SWT-ST

SWT-SM5

G14

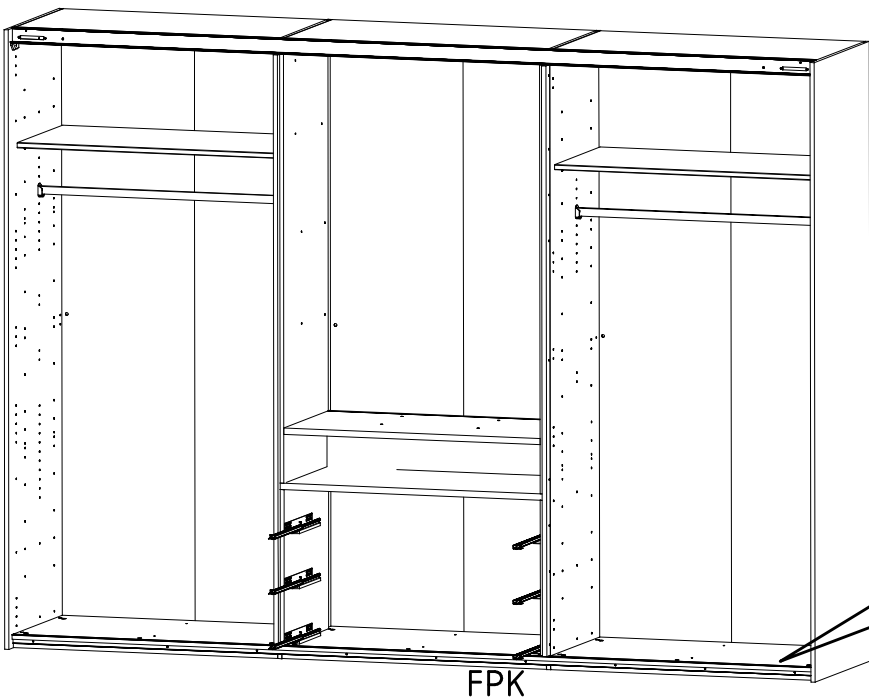
G 43

GH13

+

Wrench icon

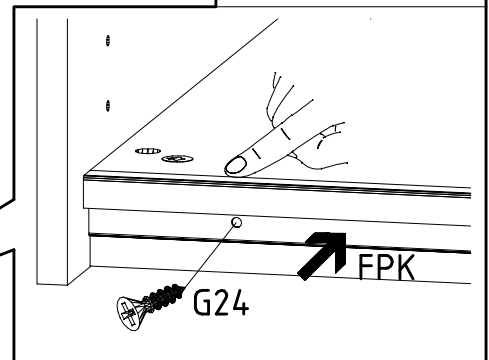
31



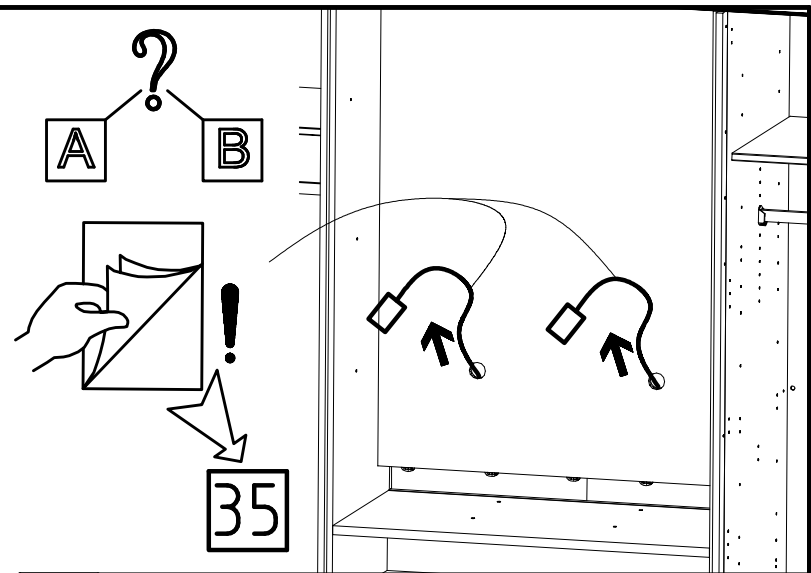
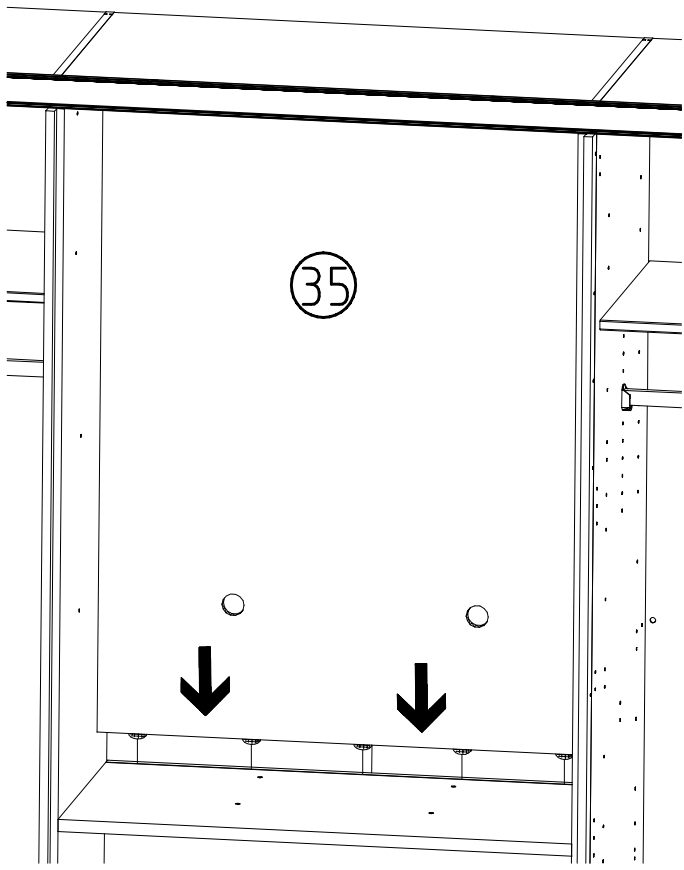
FPK

1453/1940/2430/2920/3408

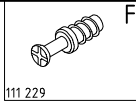
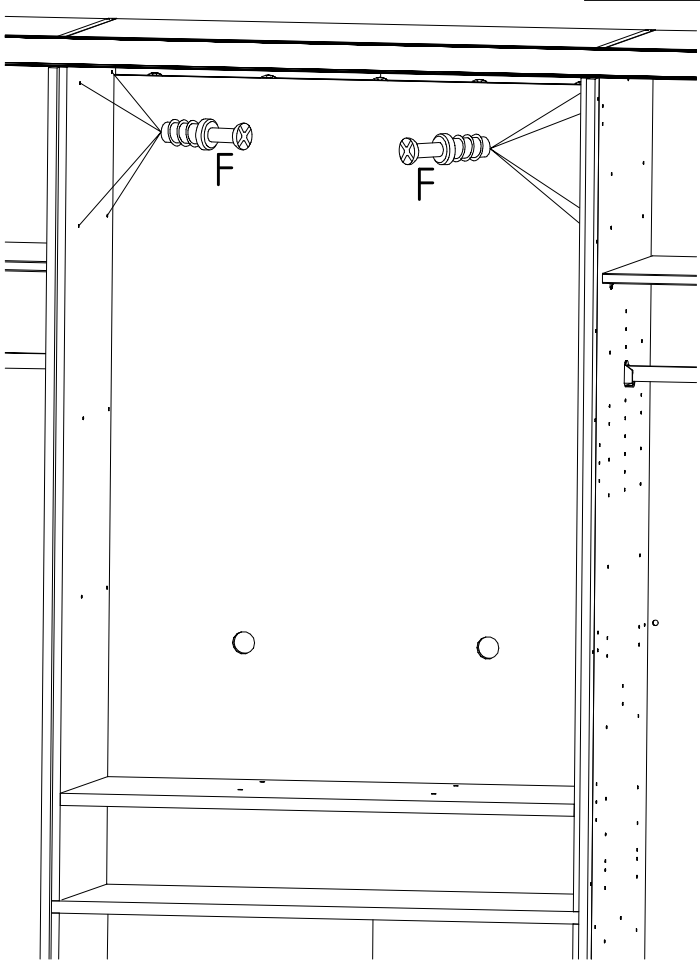
|                               |
|-------------------------------|
| 3,5 x 22 mm<br>G24<br>121 004 |
|-------------------------------|



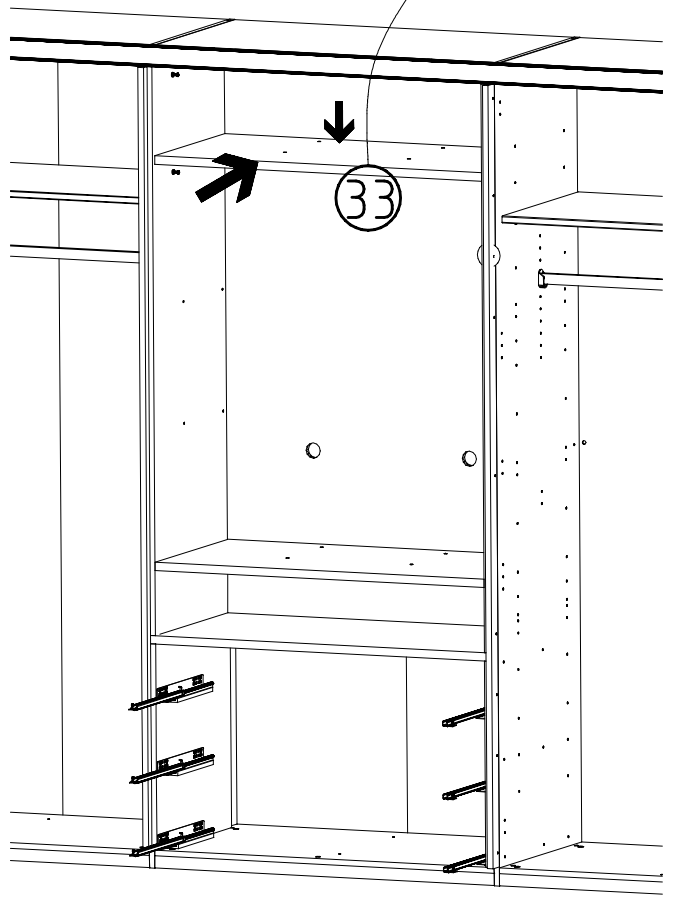
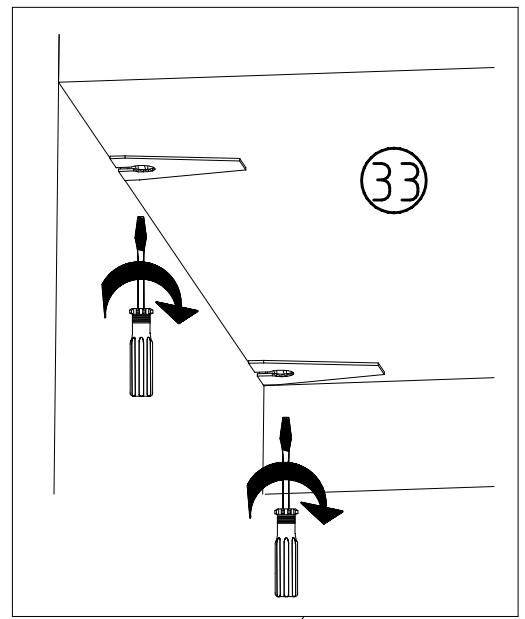
31



32



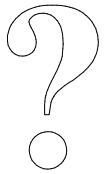
33



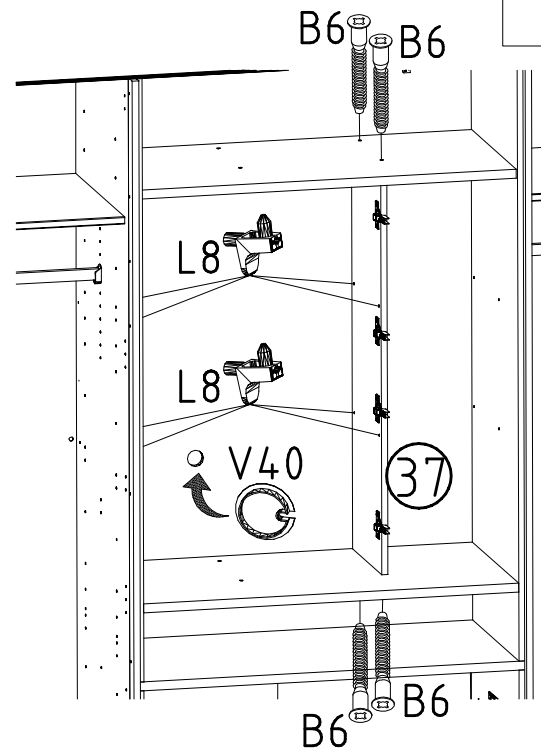
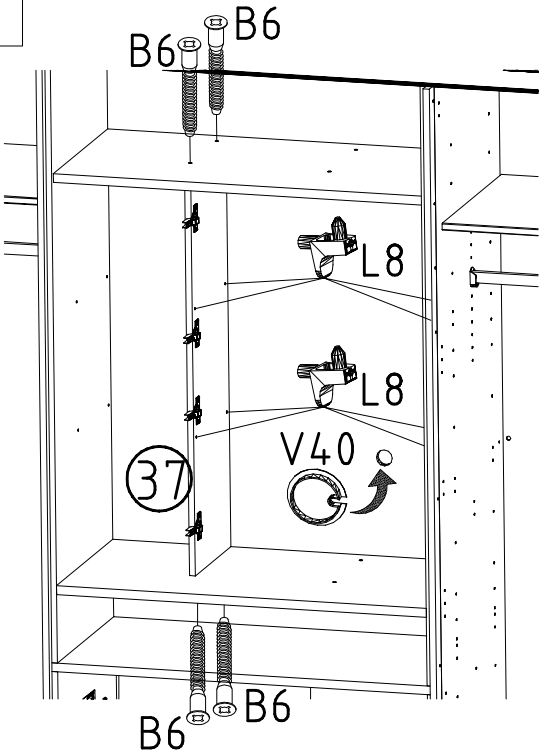
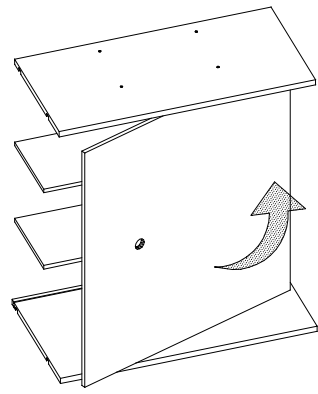
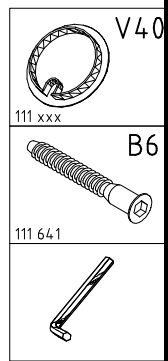
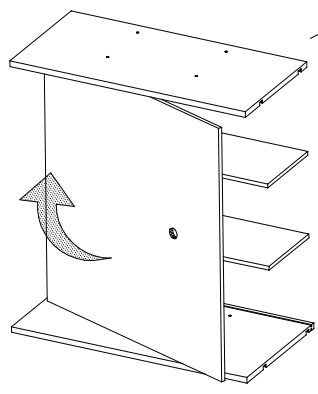
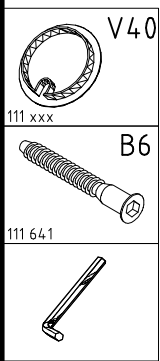


34

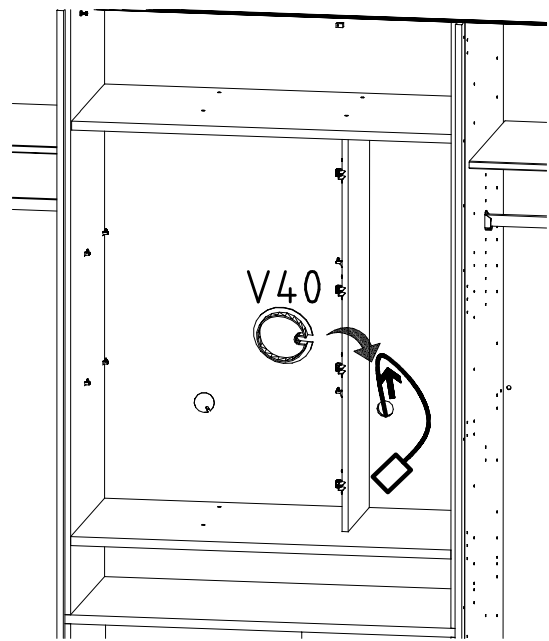
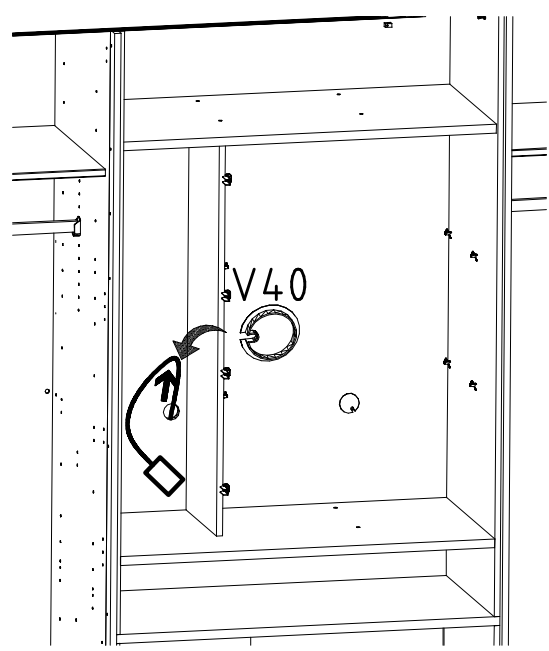
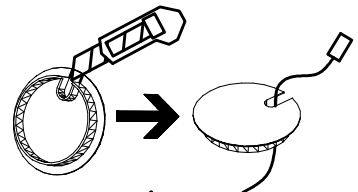
A



B



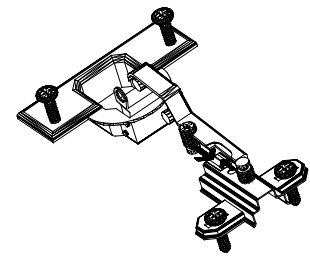
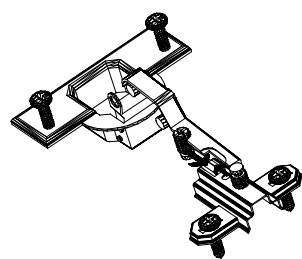
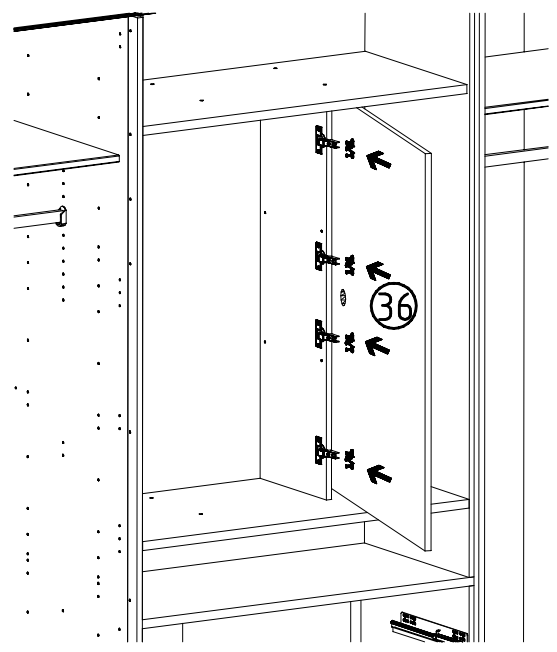
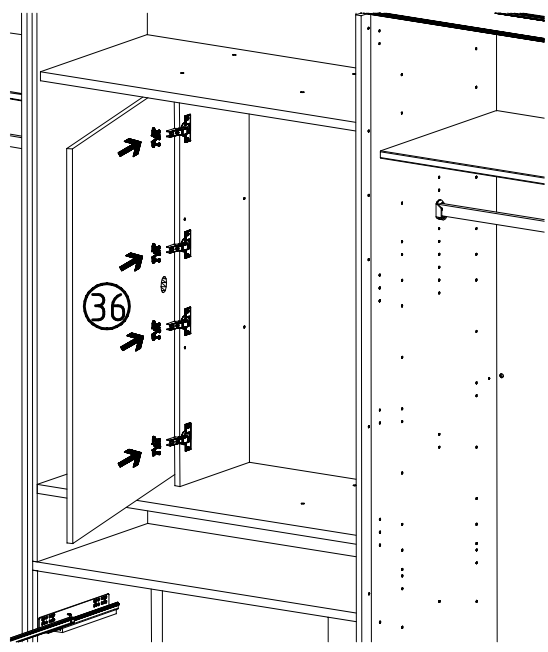
35



36

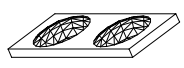
A

B



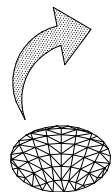
37

KP8

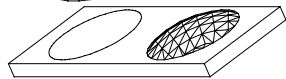


352 302

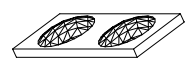
1



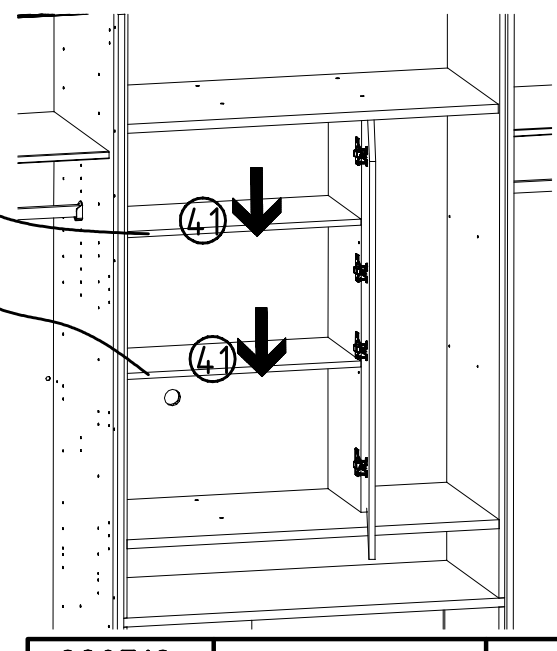
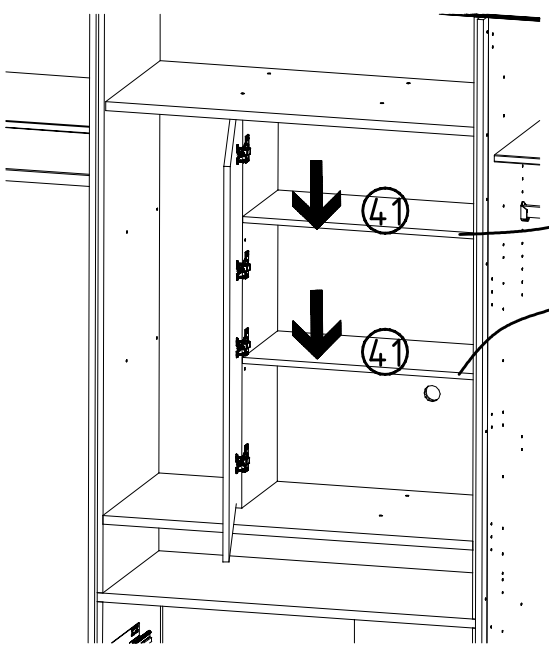
KP 8



KP8



352 302



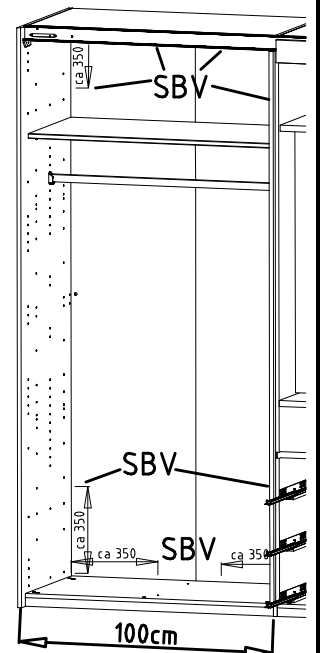
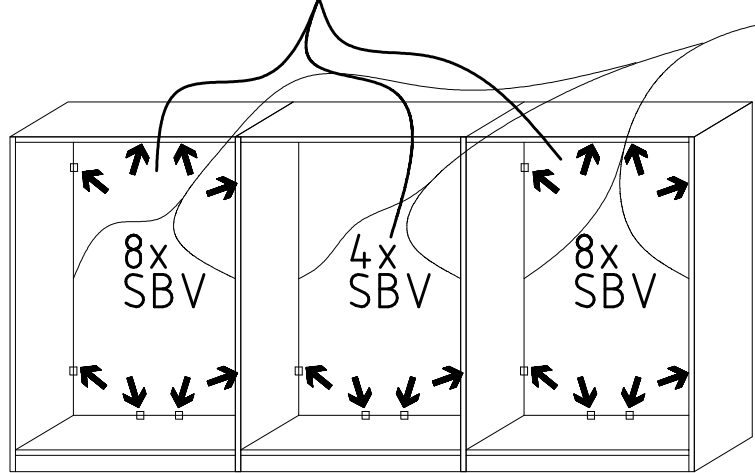
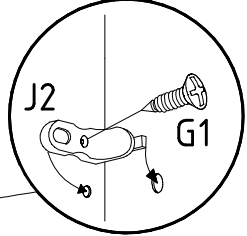
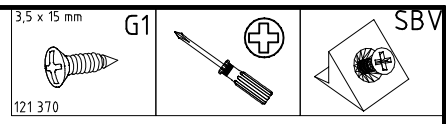
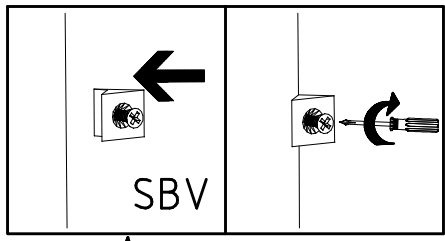
980719

26.06.17 / 19.12.17

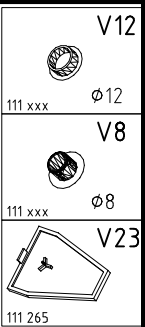
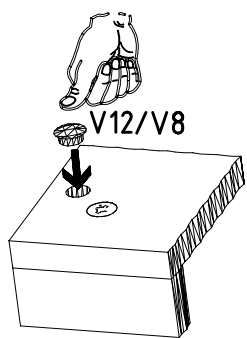
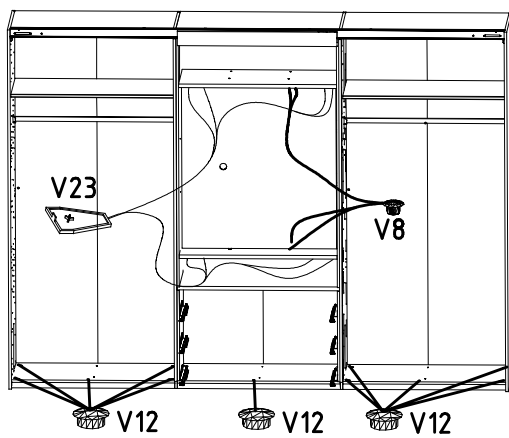
12 17

18/24

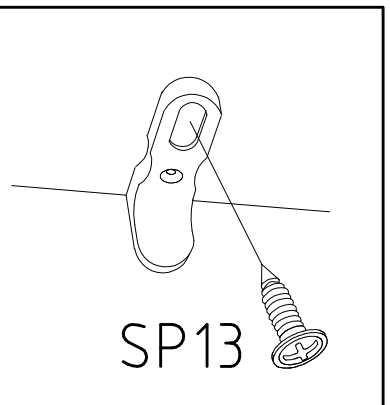
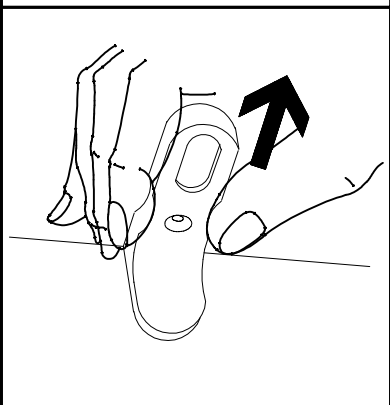
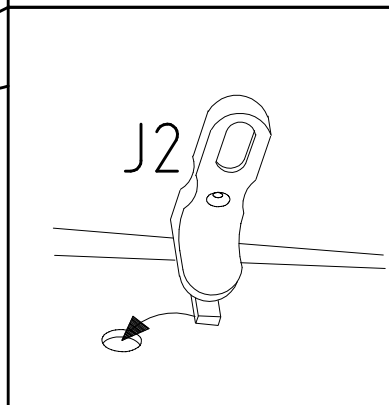
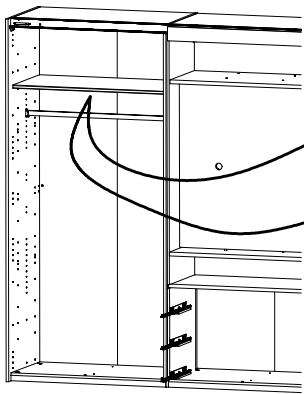
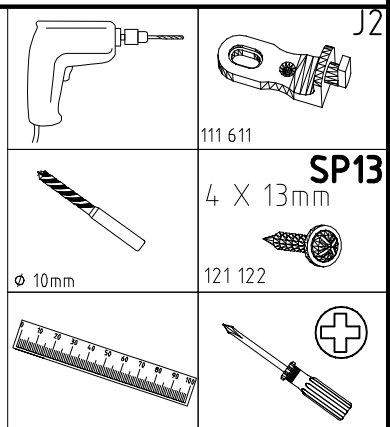
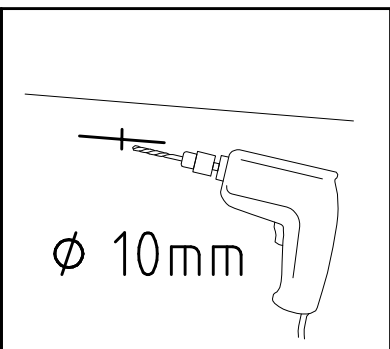
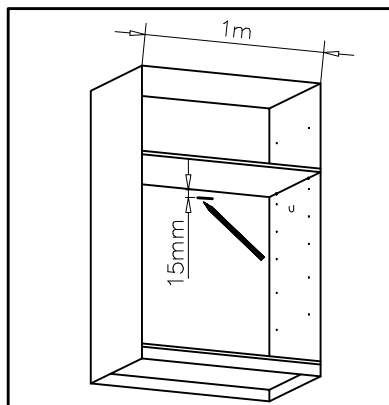
38



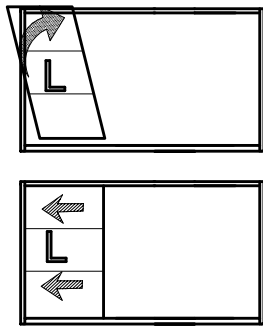
39



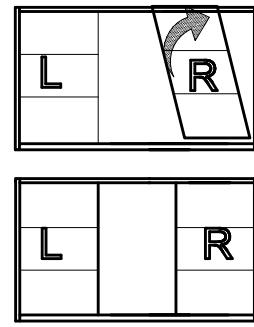
40



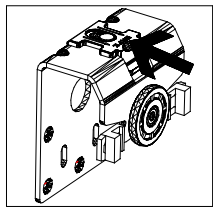
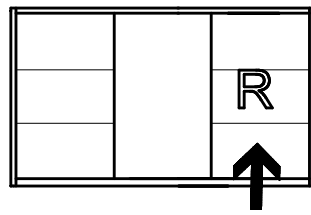
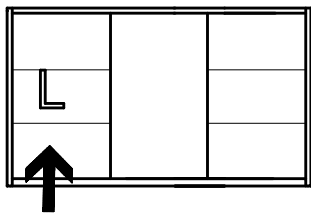
41



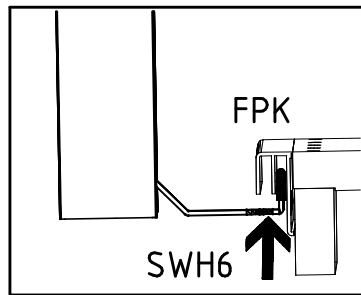
42



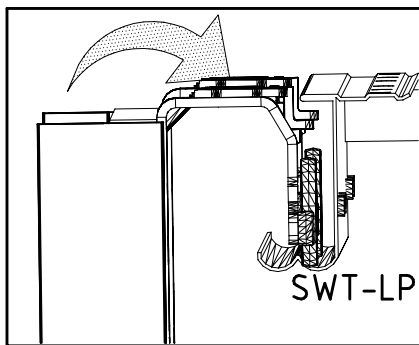
41 + 42



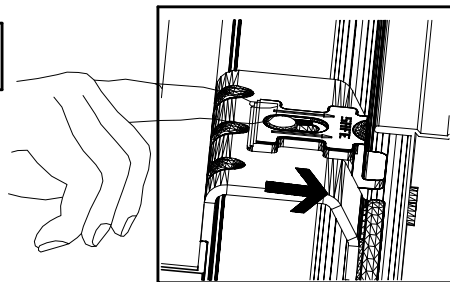
I.



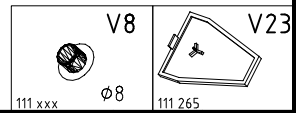
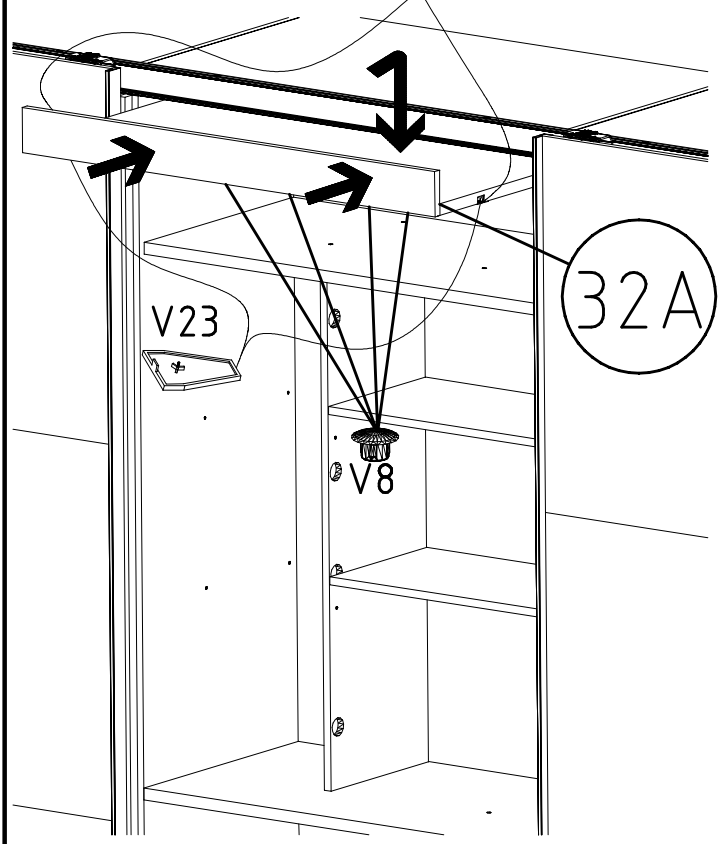
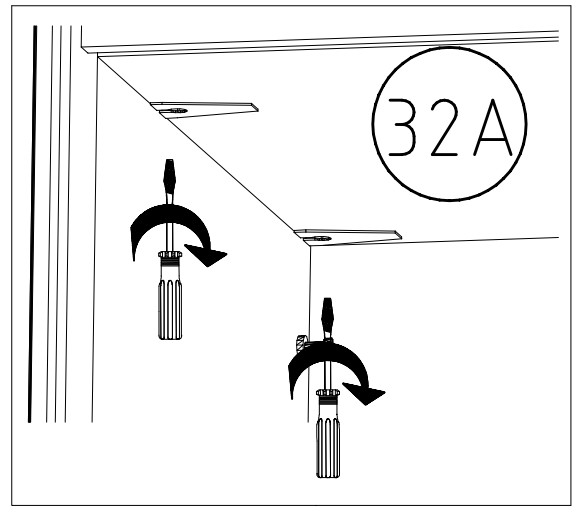
II.



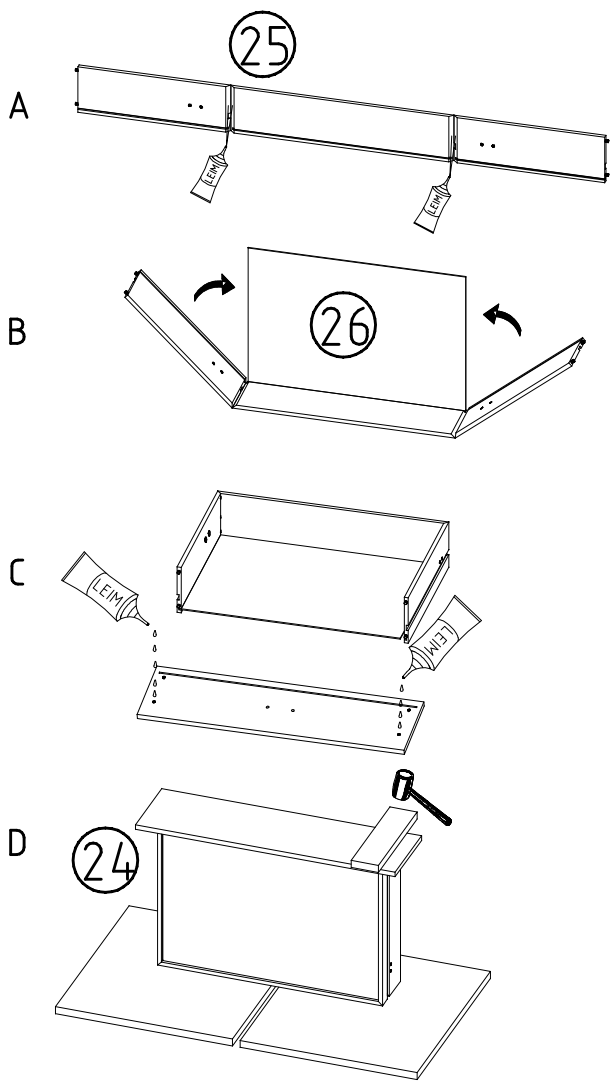
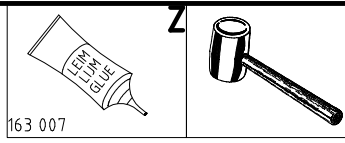
III.



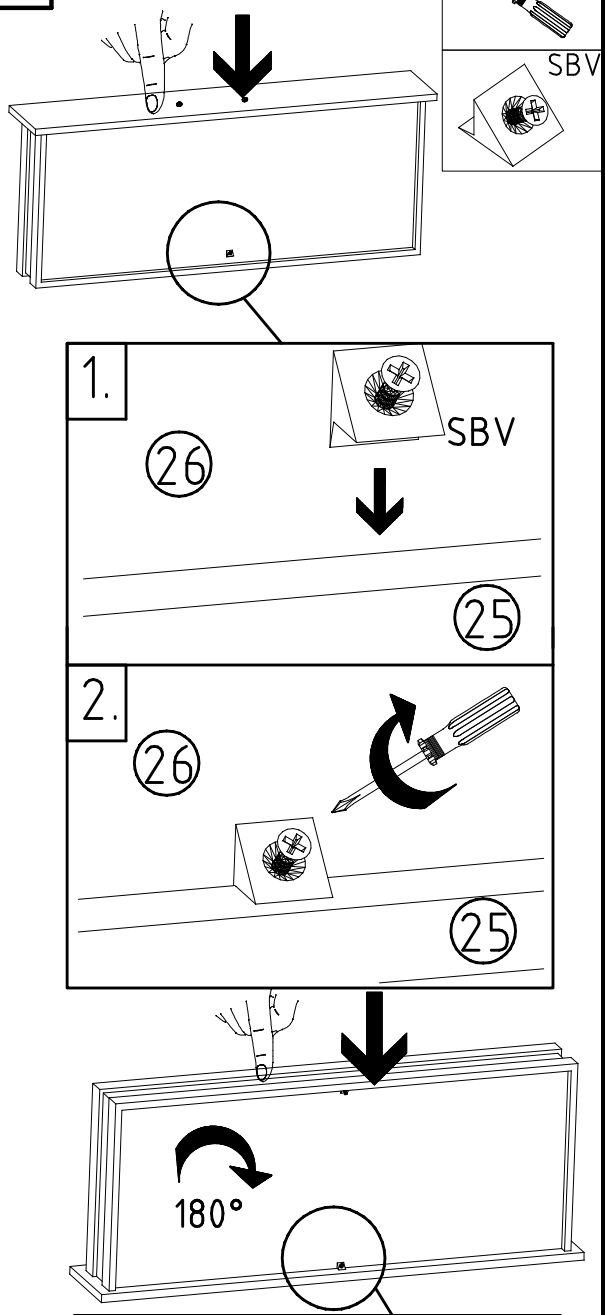
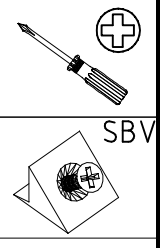
43



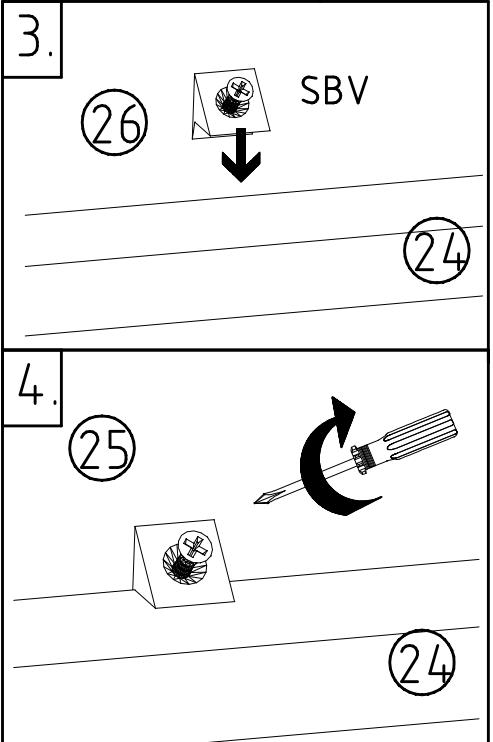
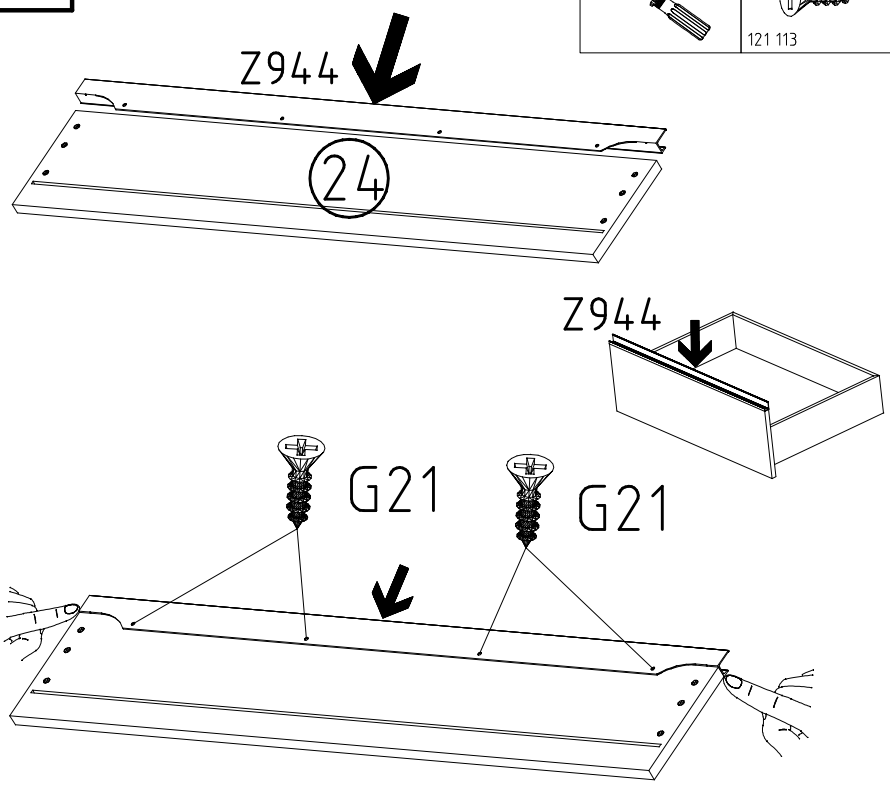
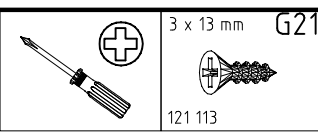
44



46

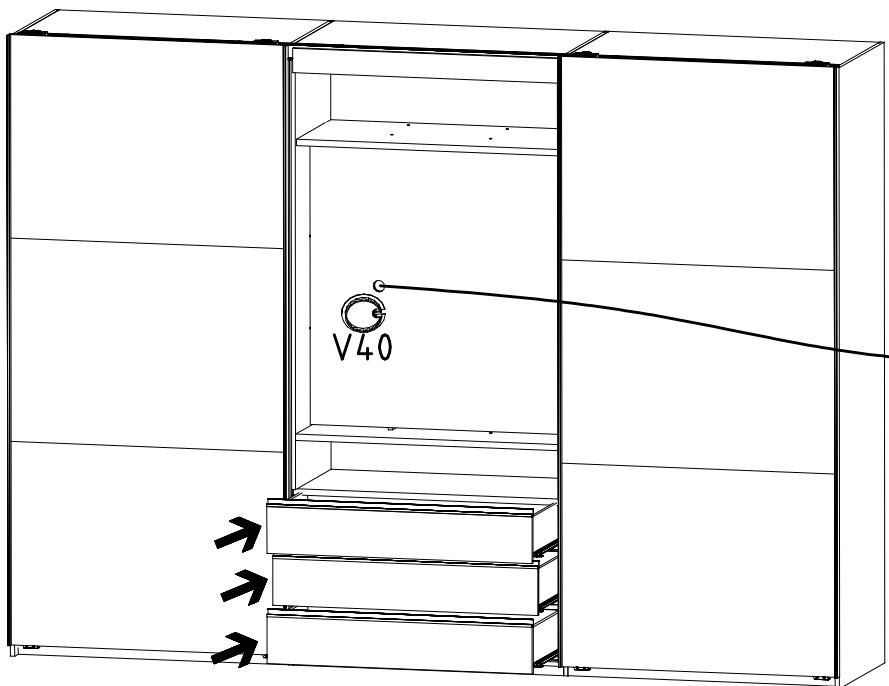


45

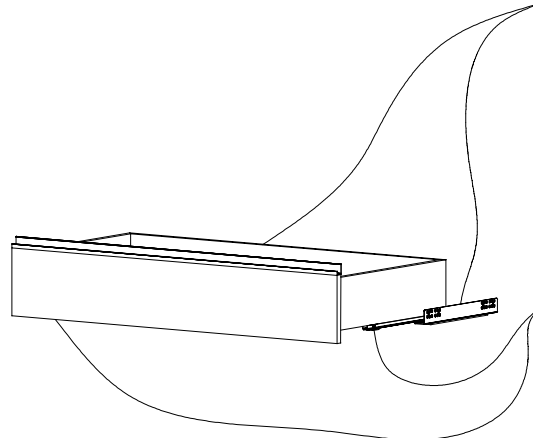
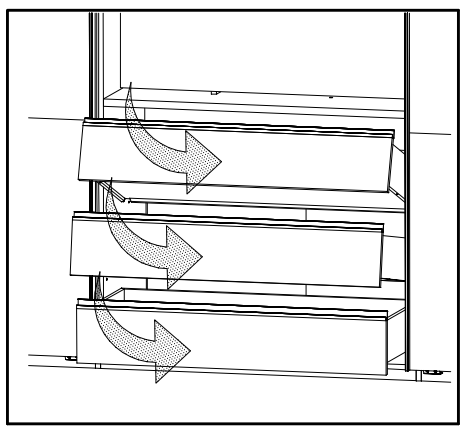
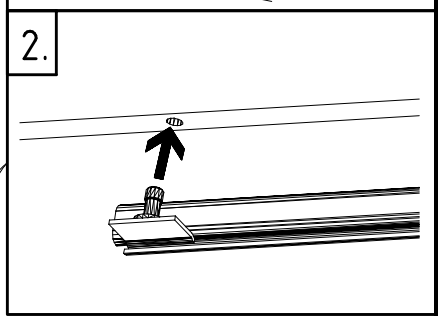
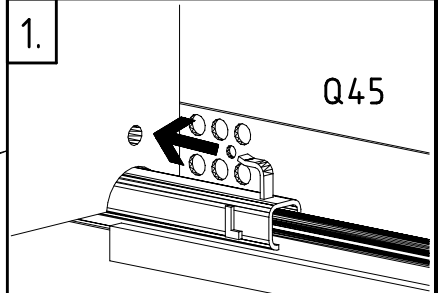


47

V4.0  
111 xxx

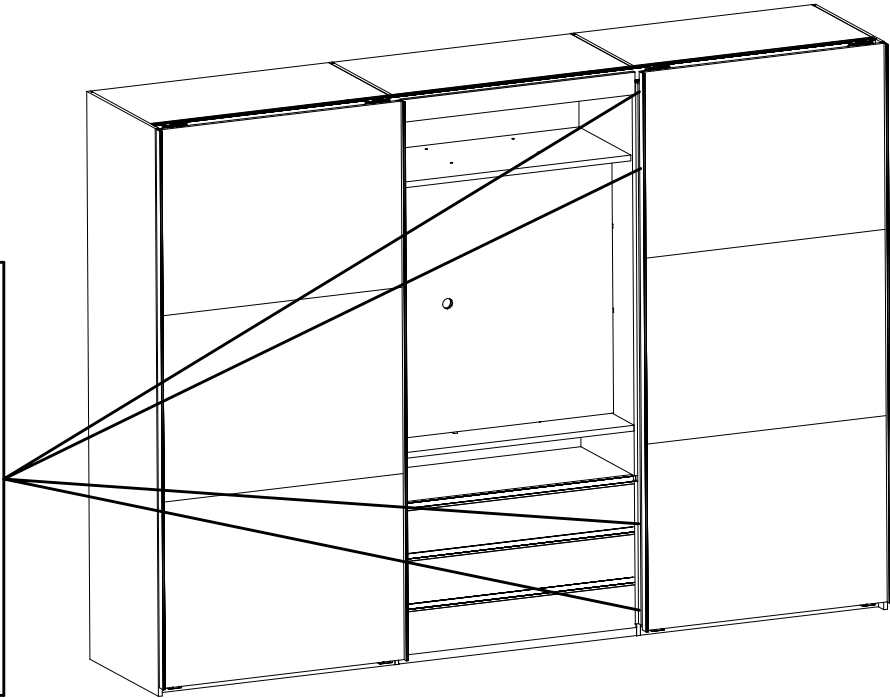
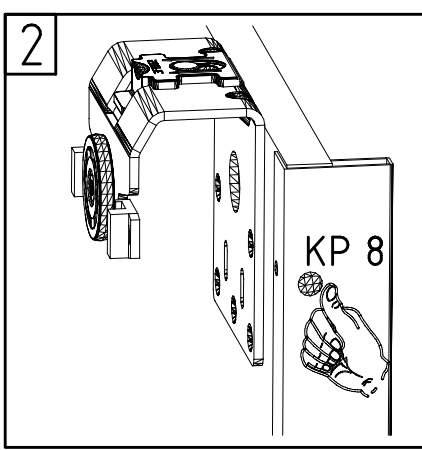
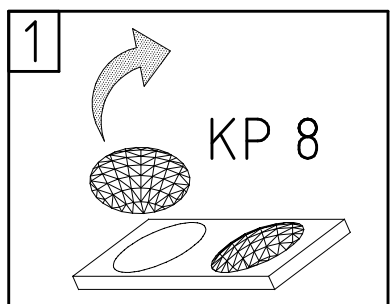


XRef H\CAD4\Übergabe CAD\Neue X-Ref's\V40 ausschneiden.dwg

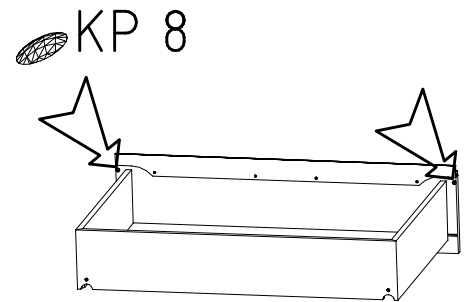
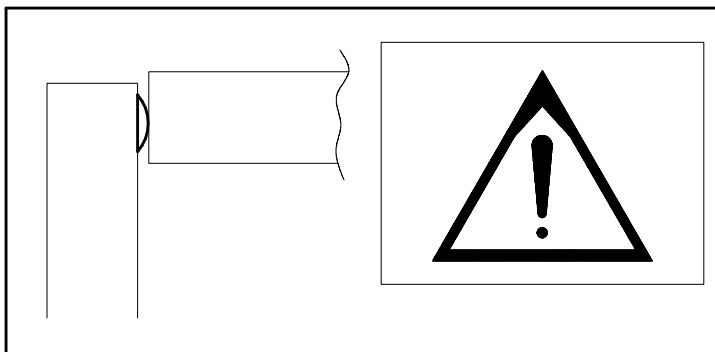
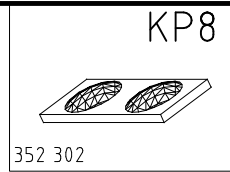
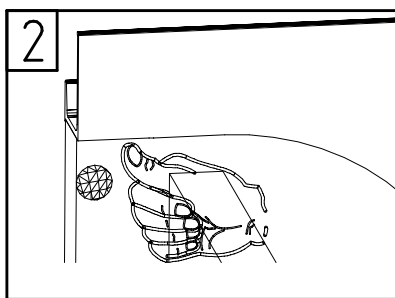
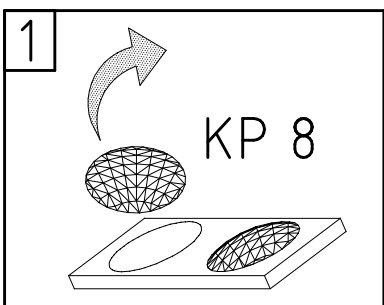


48

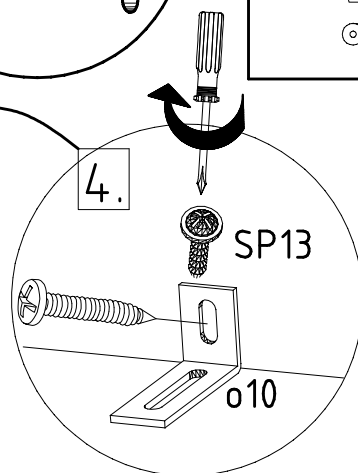
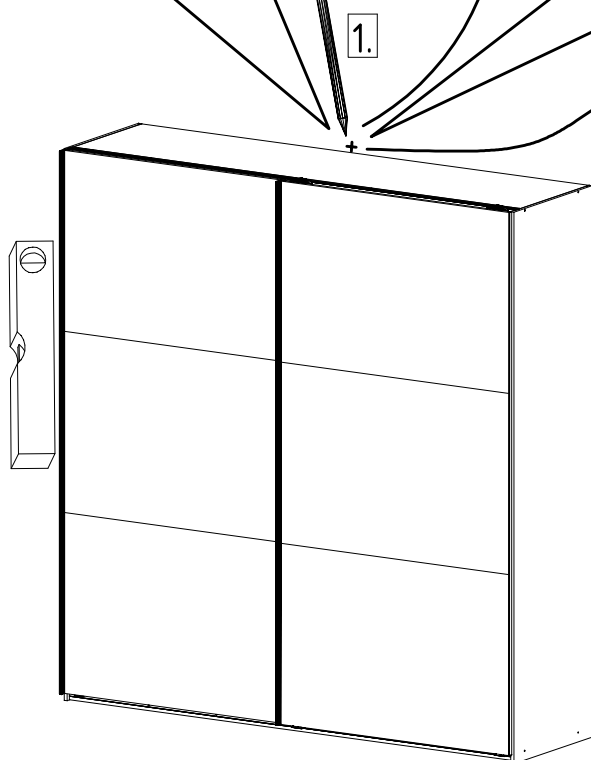
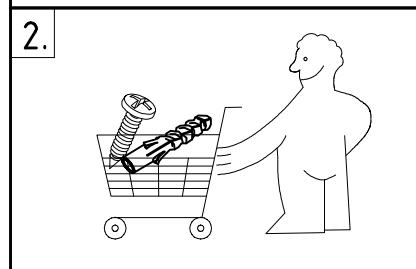
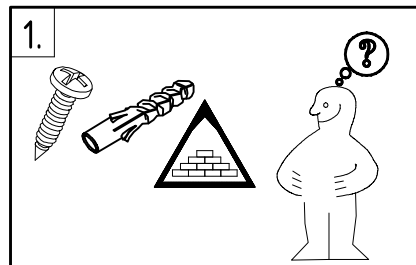
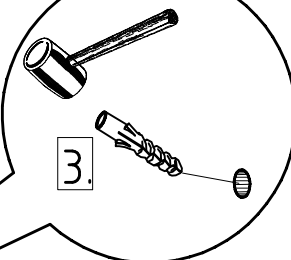
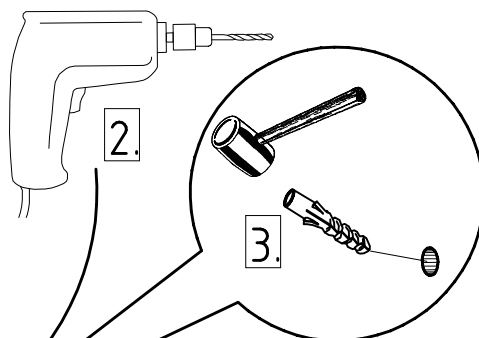
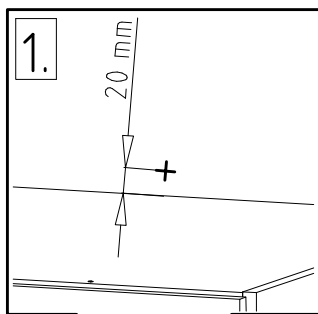
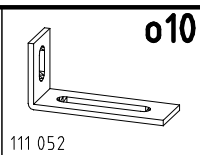
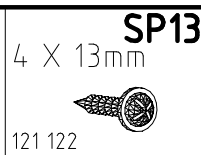
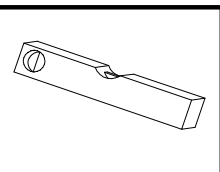
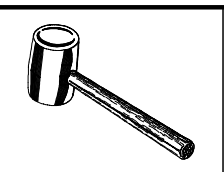
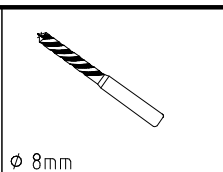
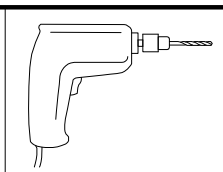
KP8  
352 302

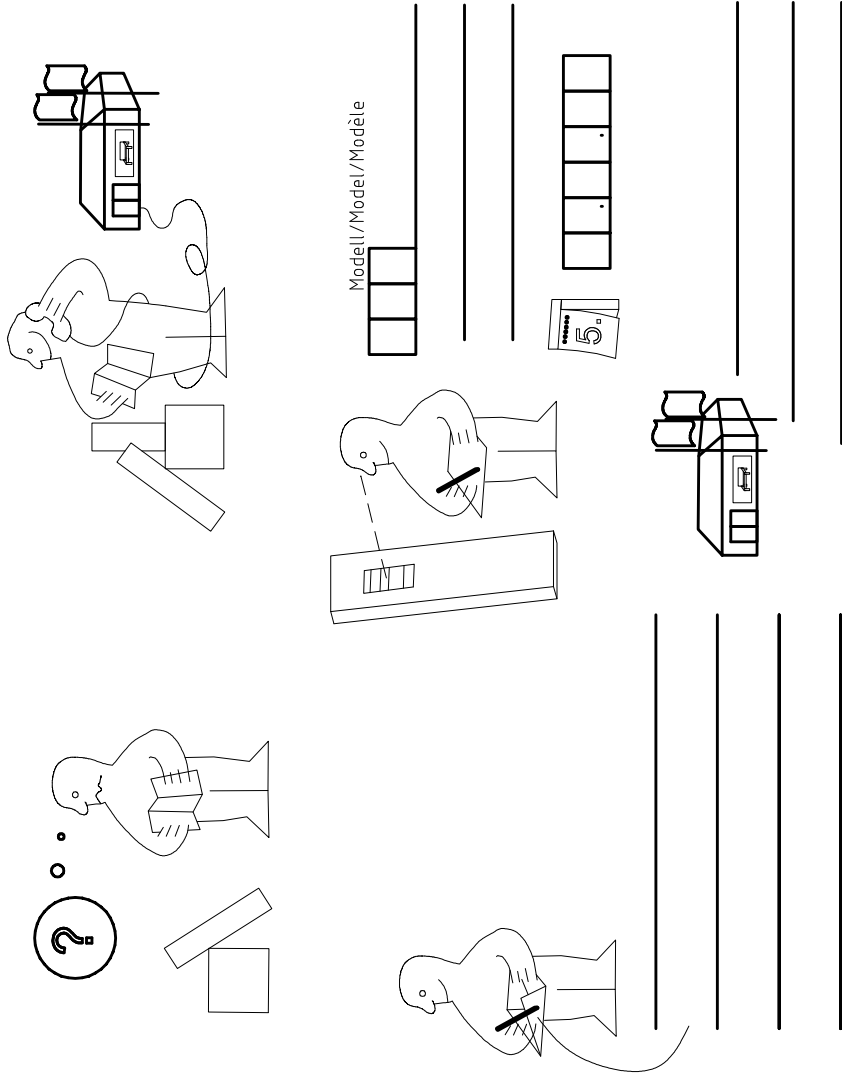
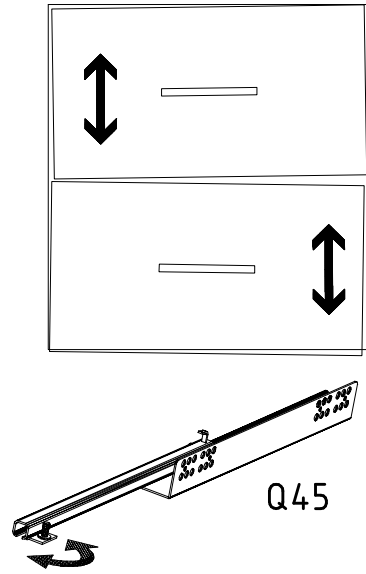
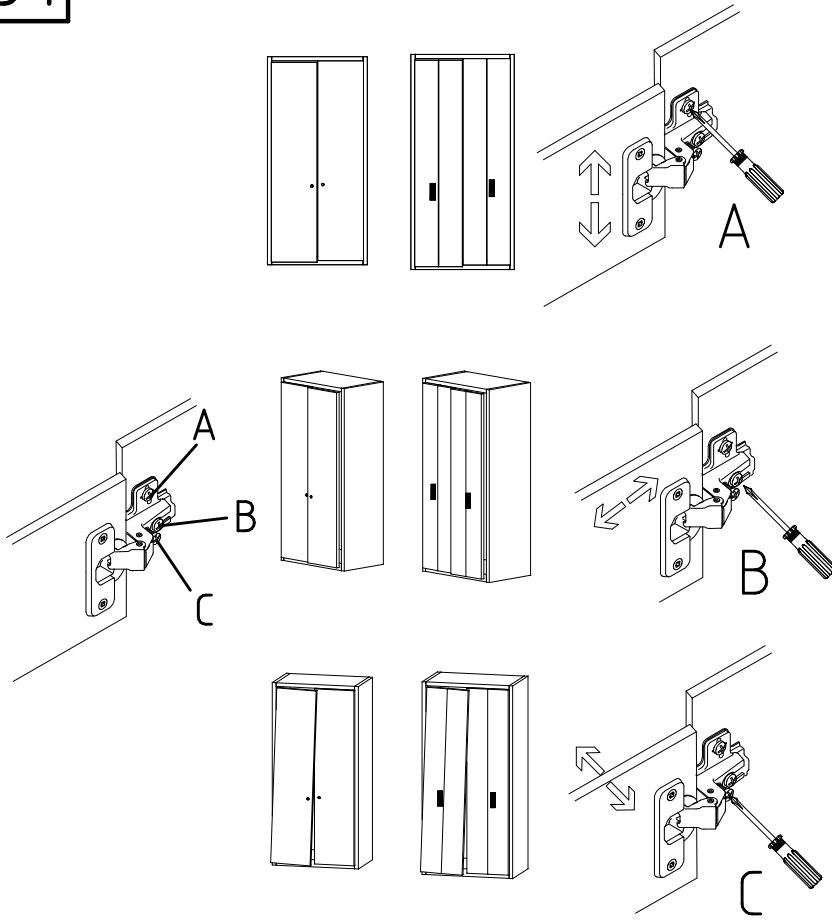


49

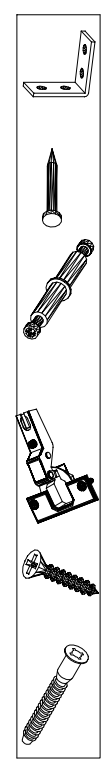


50





Modell/Model/Modèle



|           |         |      |
|-----------|---------|------|
| (121 370) | ( G 1 ) | (4x) |
|           |         |      |
|           |         |      |
|           |         |      |
|           |         |      |

Änderungen die dem technischen Fortschritt geschuldet sind, behalten wir uns vor!  
 Bei nicht vorschriftsmäßiger und/ oder nicht fachmännischer Montage wird bei Personen- und/ oder Sachschäden keinerlei Haftung übernommen.

made by  
 WIMEX Wohnbedarf/ Import Export Handels GmbH/ Postfach 14.07/ 49112 Georgsmarienhütte/ Germany