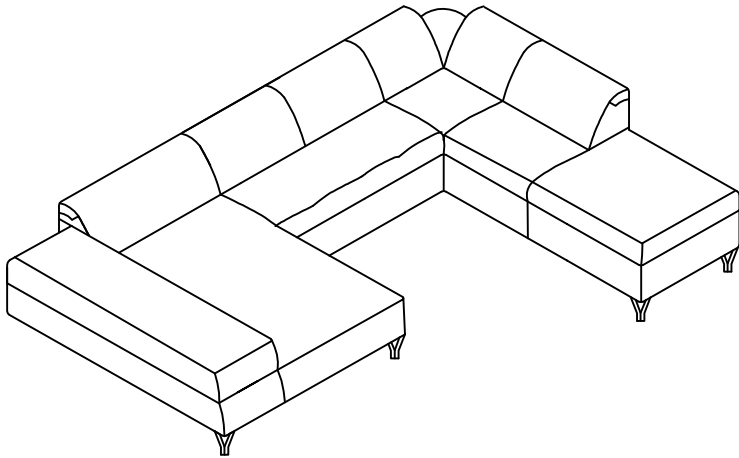




U REC BK. 2F. OTM



A	B	C
4x 	9x 	16xM5 