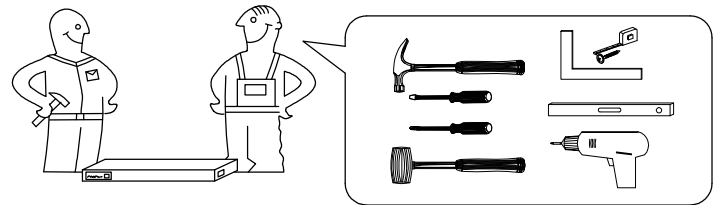


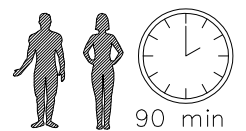
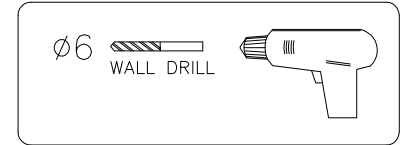
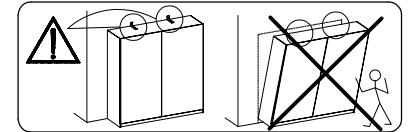
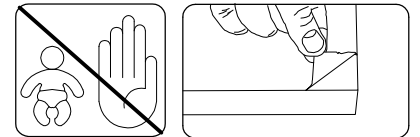
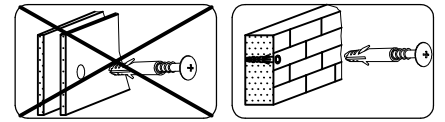
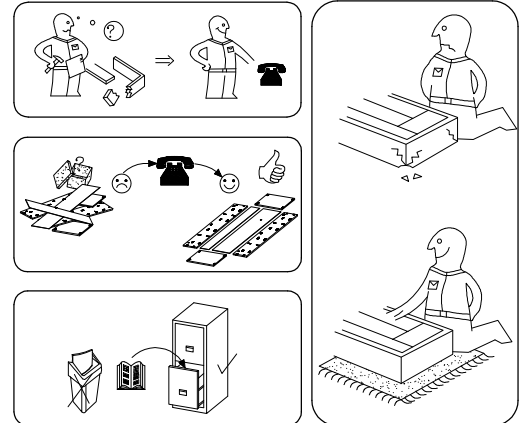
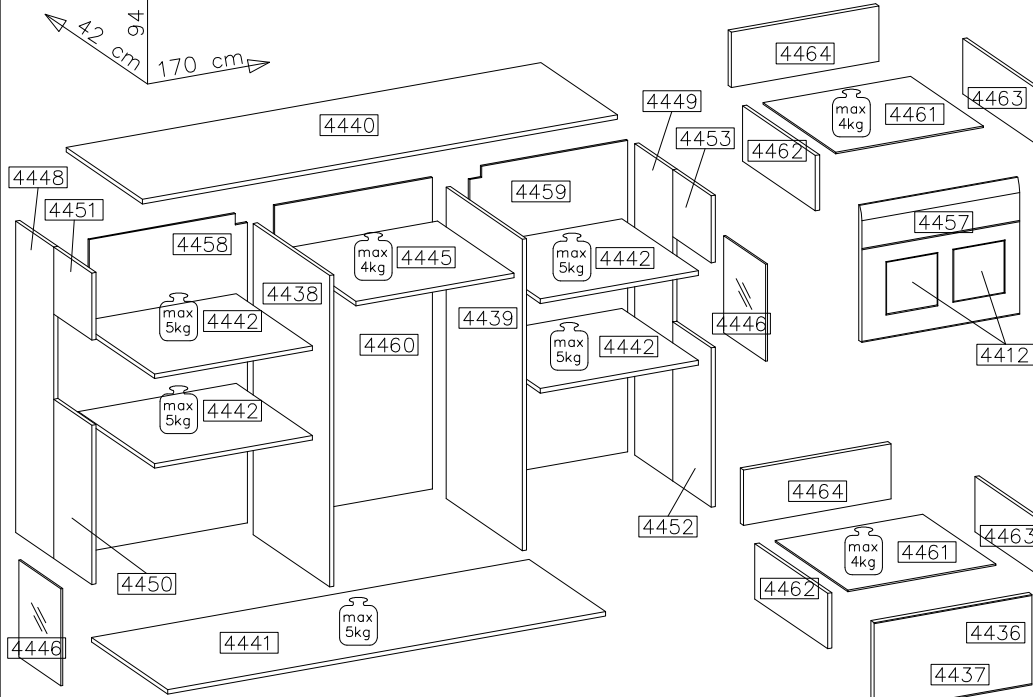
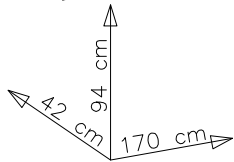
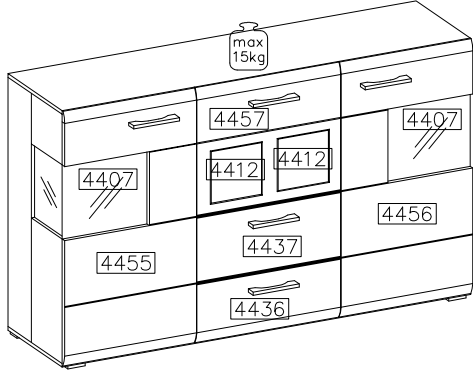
# FUN PLUS II

## 10 A1 MM 21

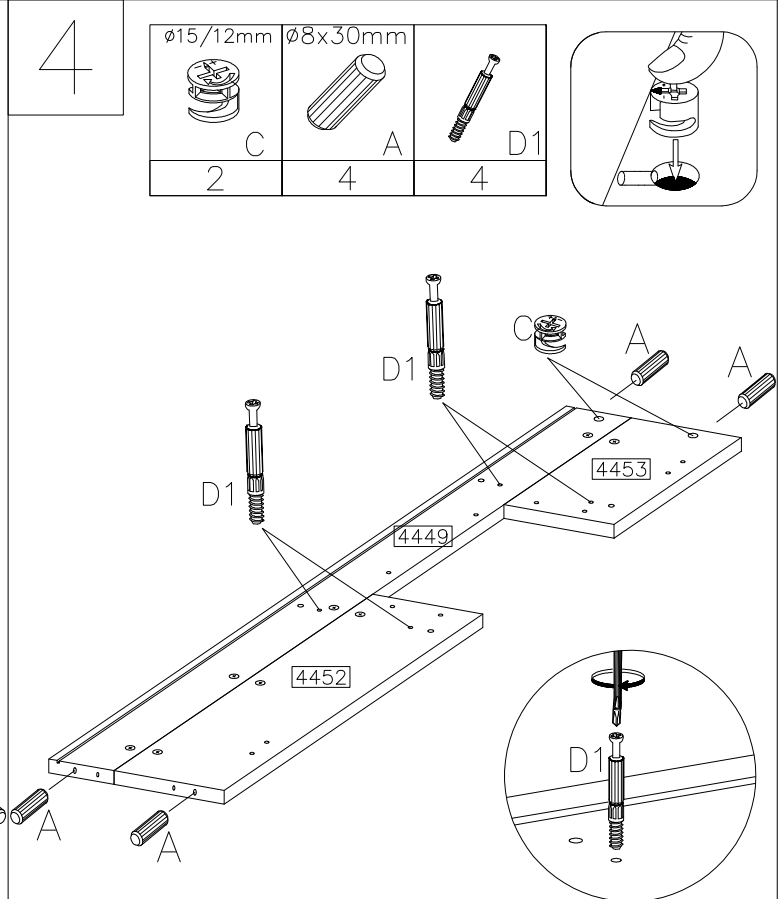
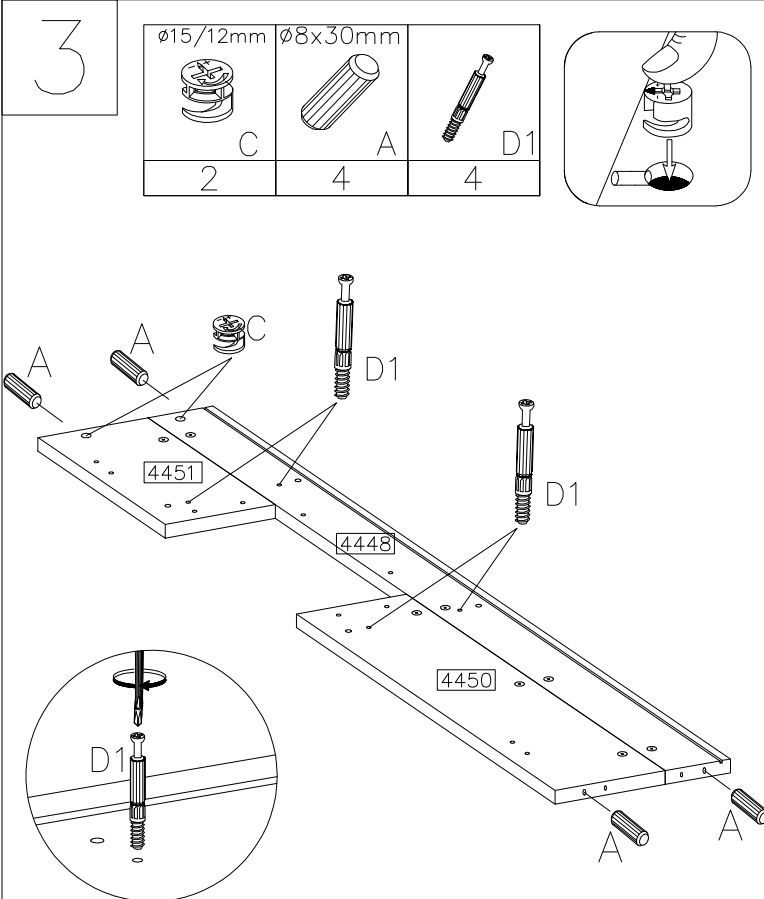
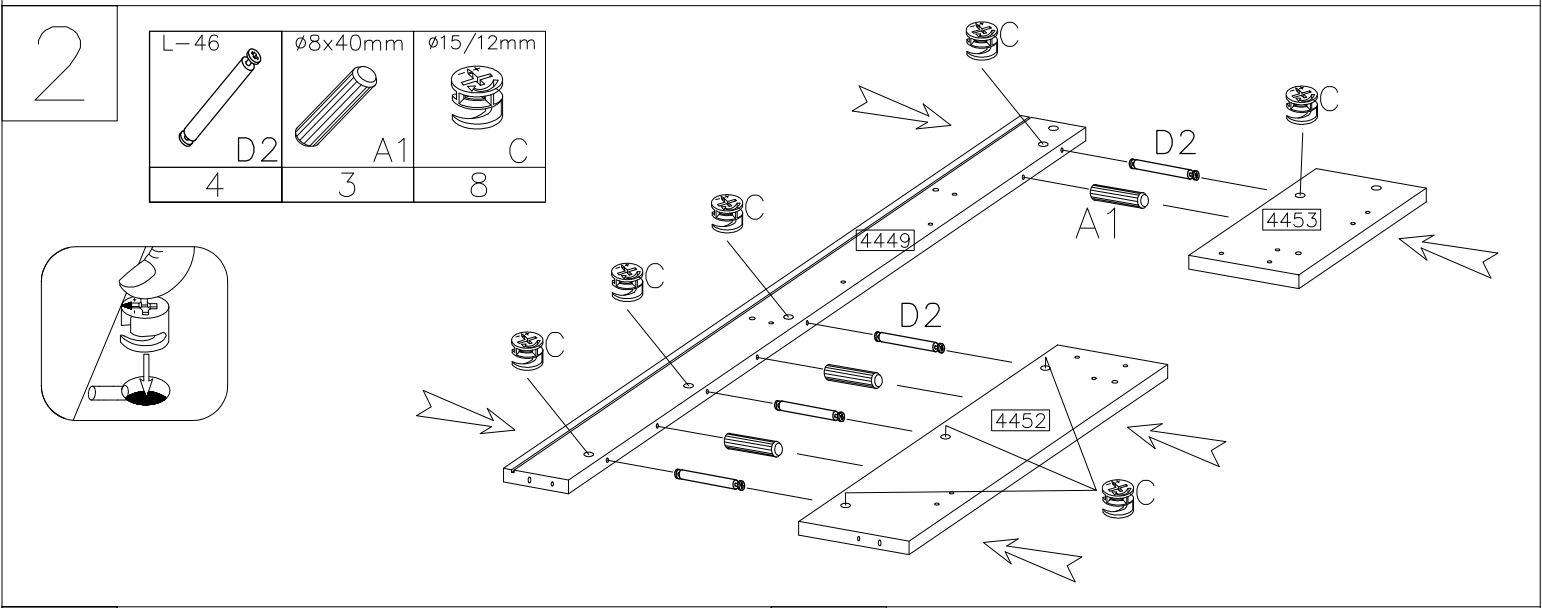
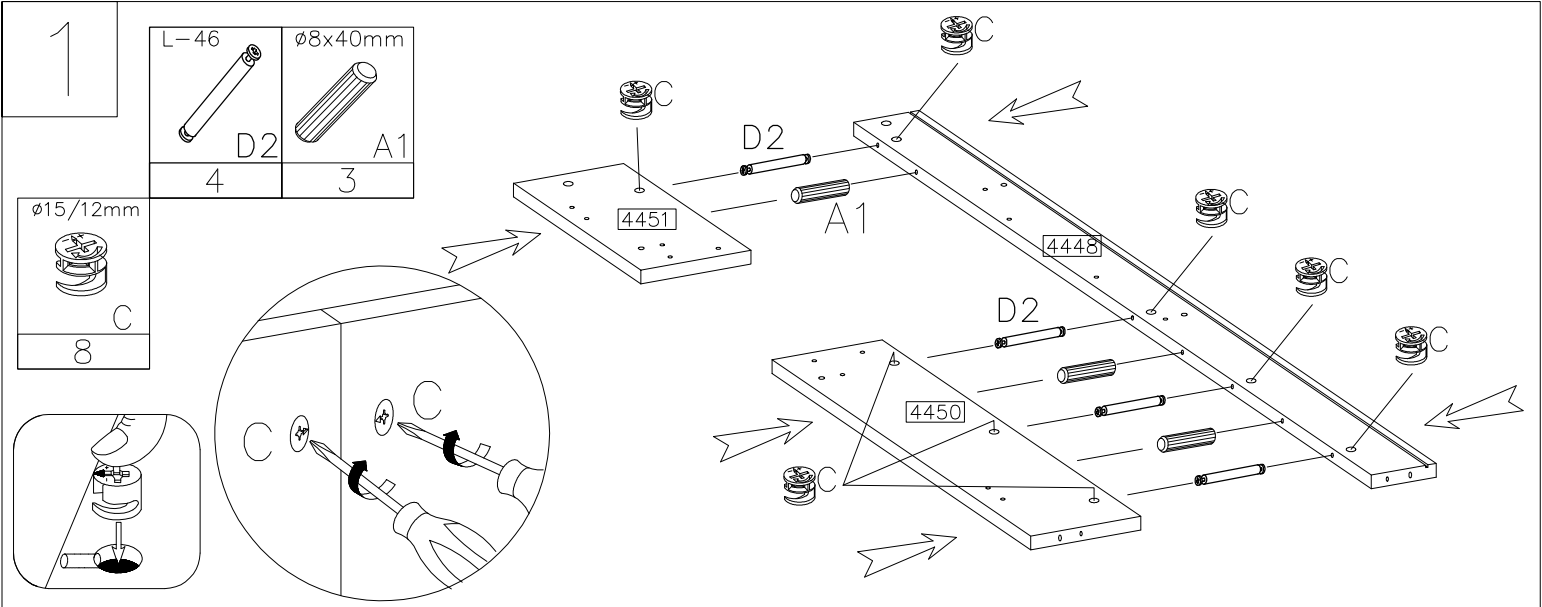


25	4456	915	546	18	1	3
26	4457	494	596	18	1	3
27	4458	903	540	2,5	1	3
28	4459	903	540	2,5	1	3
29	4460	903	597	2,5	1	3



#	ART. NR	L	W	T	Q	Col.No
1	4438	887	381	16	1	1
2	4439	887	381	16	1	1
3	4442	525	381	16	2	1
4	4445	582	371	16	1	1
5	4446	362	276	4	2	1
6	4407	362	354	4	2	1
7	4461	558	358	2,5	3	1
8	4462	350	140	16	3	1
9	4463	350	140	16	3	1
10	4464	544	123	16	3	1
11	4440	1698	401	16	1	2
12	4441	1698	401	16	1	2
13						
14	4442	525	381	16	2	2
15	4448	887	150	16	1	2
16	4449	887	150	16	1	2
17	4450	401	251	16	1	2
18	4451	184	251	16	1	2
19	4452	401	251	16	1	2
20	4453	184	251	16	1	2
21	4436	198	596	18	1	3
22	4437	215	596	18	1	3
23	4412	218	218		2	3
24	4455	915	546	18	1	3

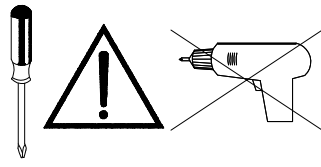


Ø8x30mm A	Ø15/12mm B	C	D1	L-46 D2	E	E1	F4	Ø35/KR-0 G6	L P PR1	
44	8	46	30	8	46	8	6	4	3KPL	
Ø8x40mm A1	L	N	O	Ø3.0x16mm P1	Ø3.5x16mm P4	Ø4.0x30mm P3	Ø3.0x20mm P7	F8	Ø5.0x13mm P9	M4.0x22mm R2
6	12	2	1	40	2	24	6	14	20	10
J4	V1	V2	S1	U	Ø6.0x50mm Z	L4	Ø4.0x16mm P8			
4	1	2	5	12	2	24	32			





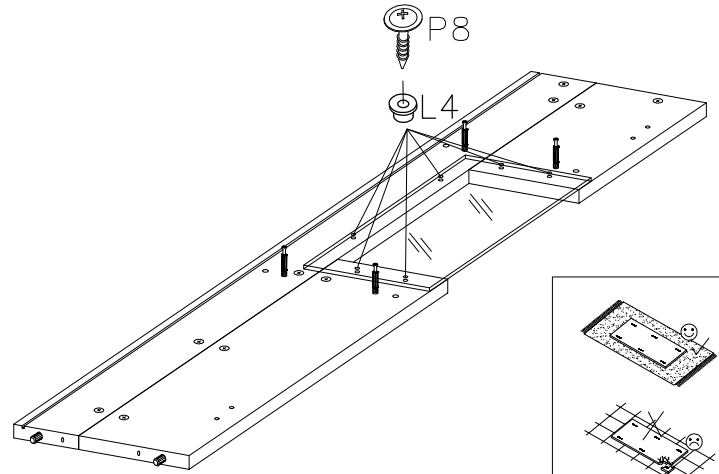
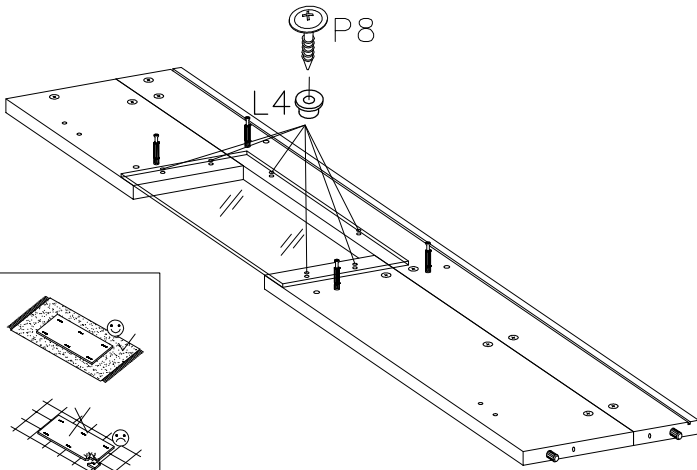
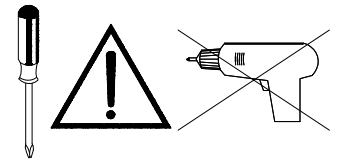
5

	
L4	P8
6	6

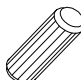


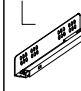




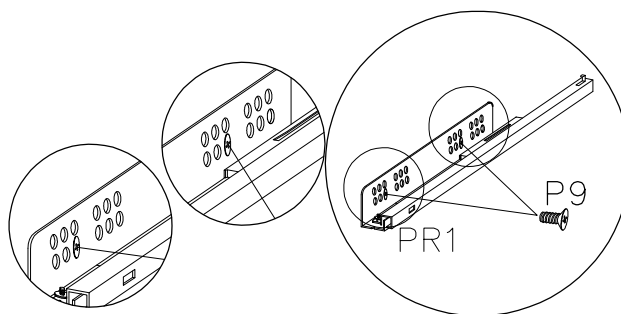
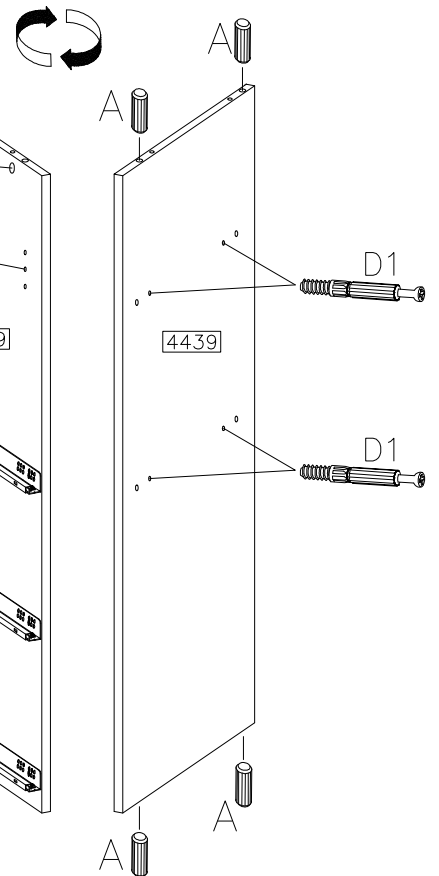
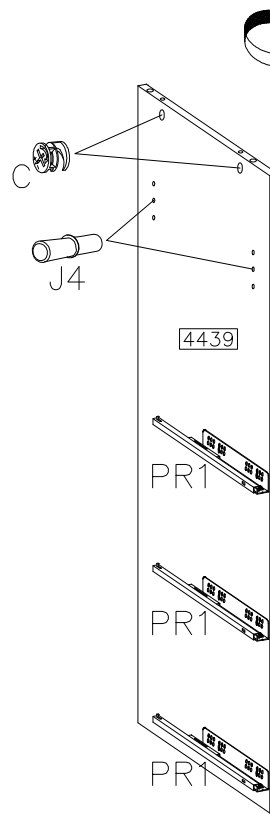
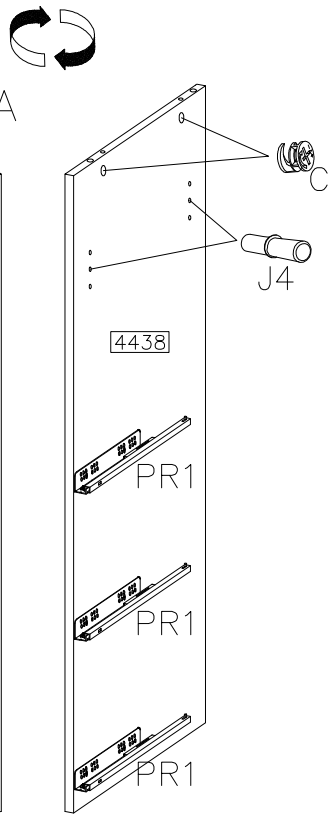
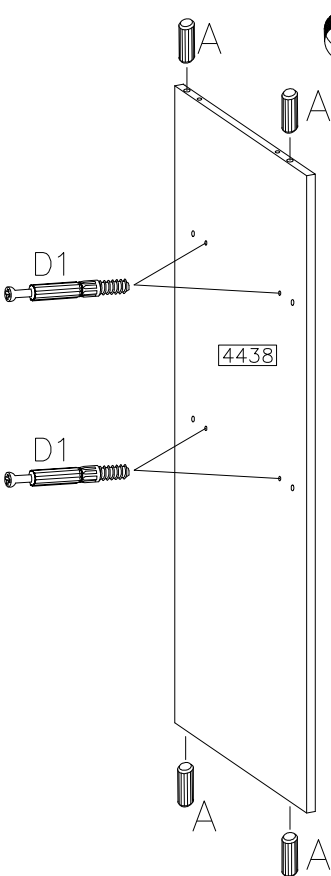
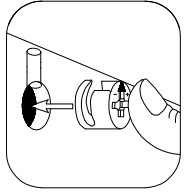
6

	
L4	P8
6	6






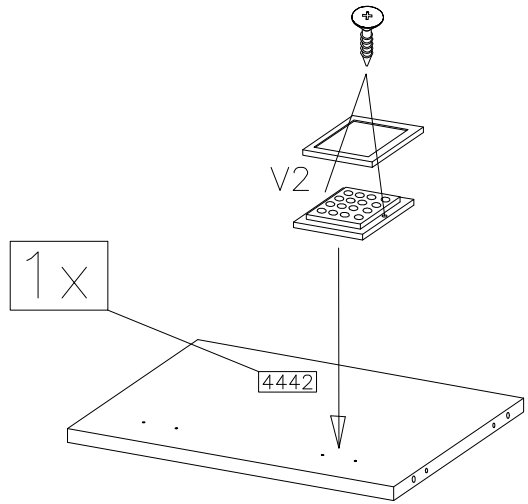
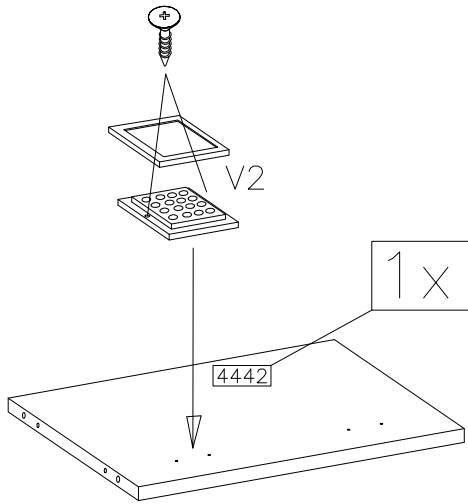
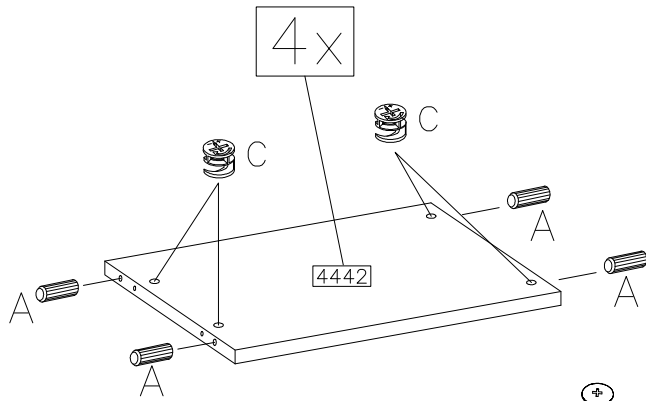
7

					
A	C	J4	PR1	P9	D1
8	4	4	3KPL	12	8

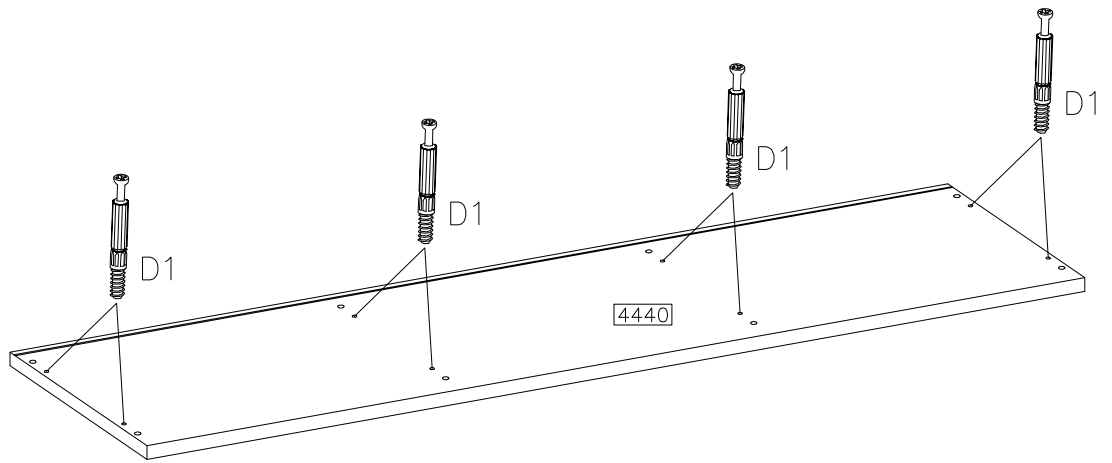
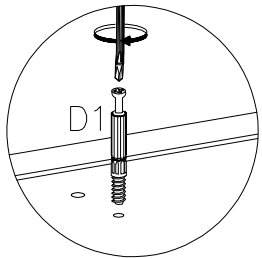
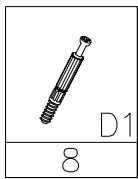


8

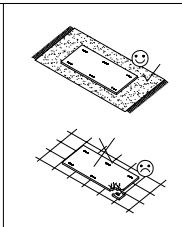
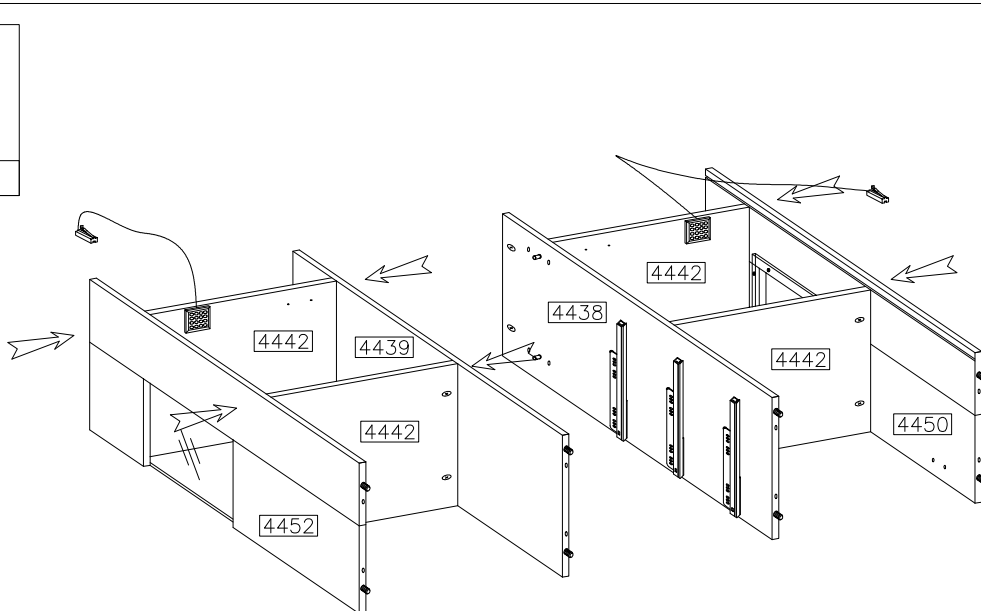
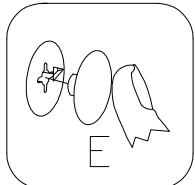
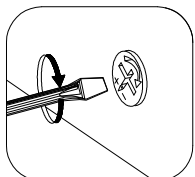
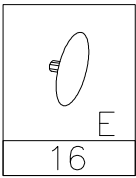
	$\varnothing 8 \times 30 \text{mm}$ 	$\varnothing 15 / 12 \text{mm}$ 
V2	A	C
2	16	16



9

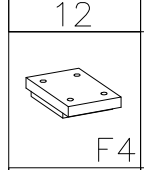
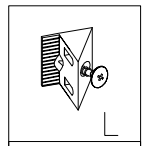
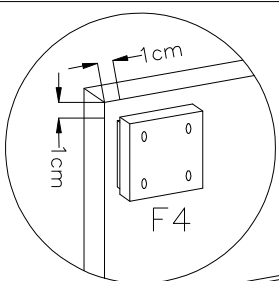


10

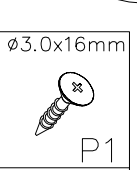
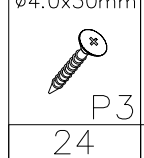




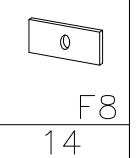
14



6

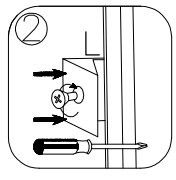
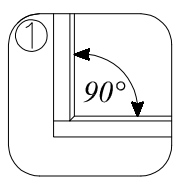
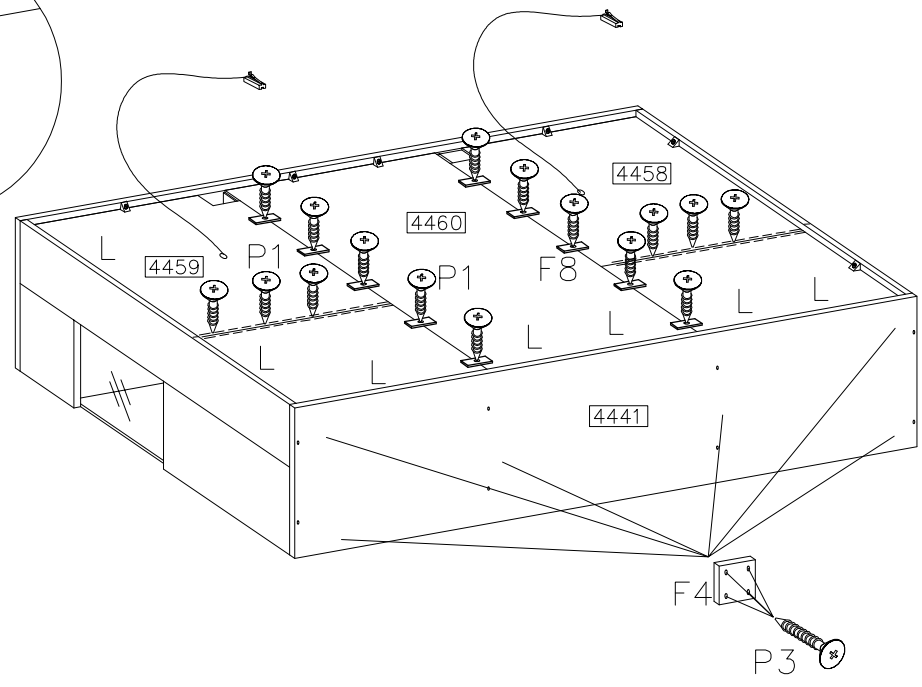


22

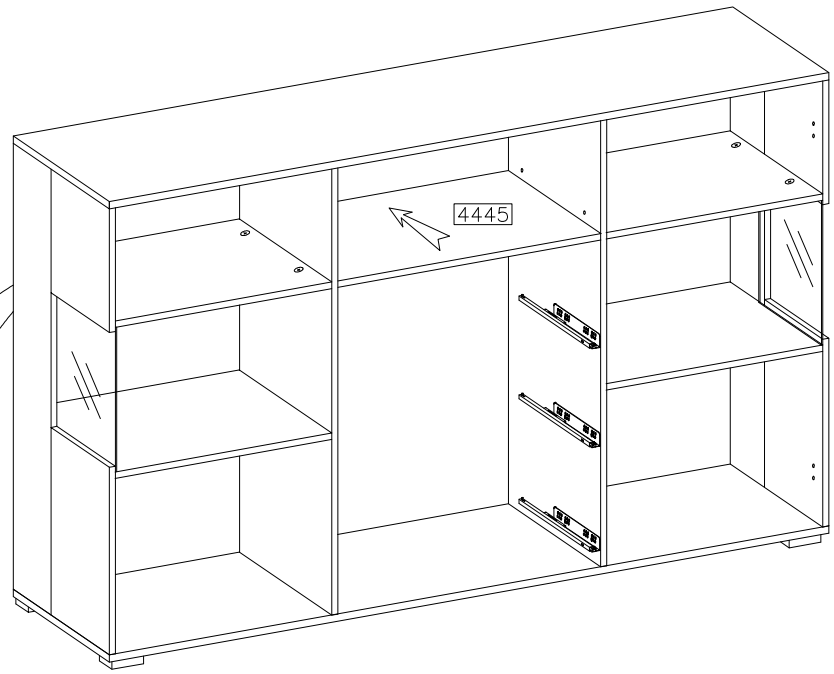
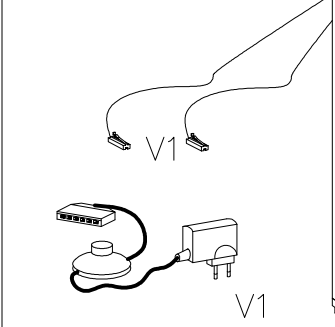
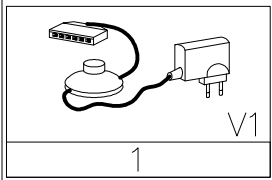


24

14

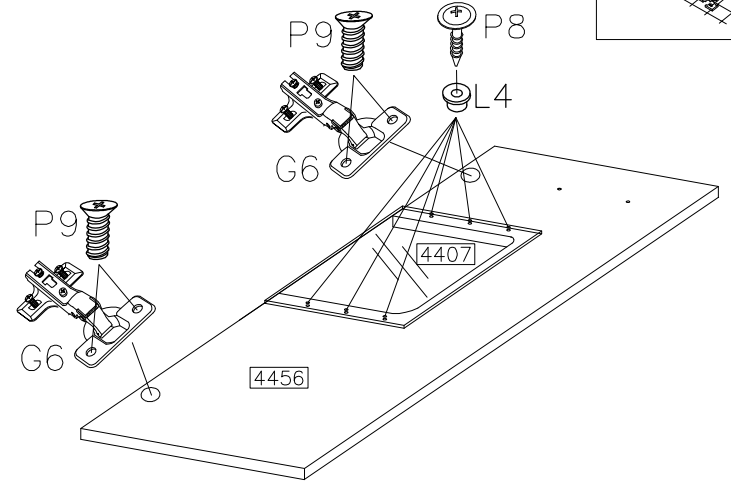
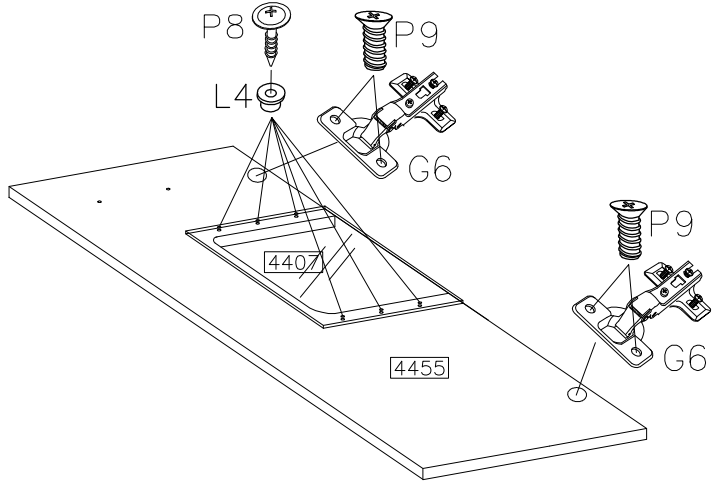
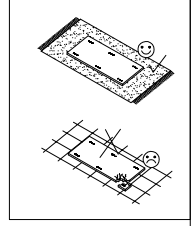
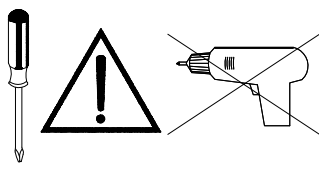


15



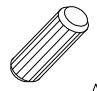
16


$\phi 35/KR-0$	5.0x13mm		$\phi 4.0 \times 16\text{mm}$
G6	P9	L4	P8
4	8	12	12




17

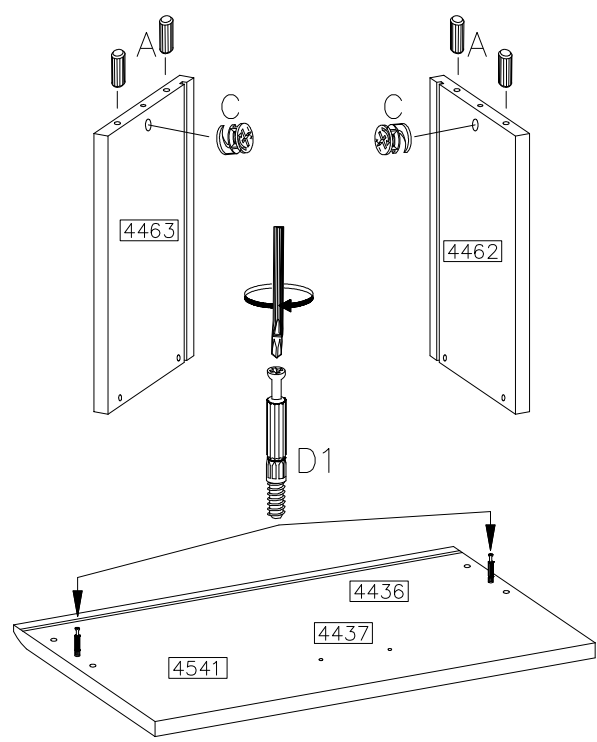
3x

- 

Ø8x30mm  
A  
12  
ø15/12mm
- 


C  
6
- 

D1  
6

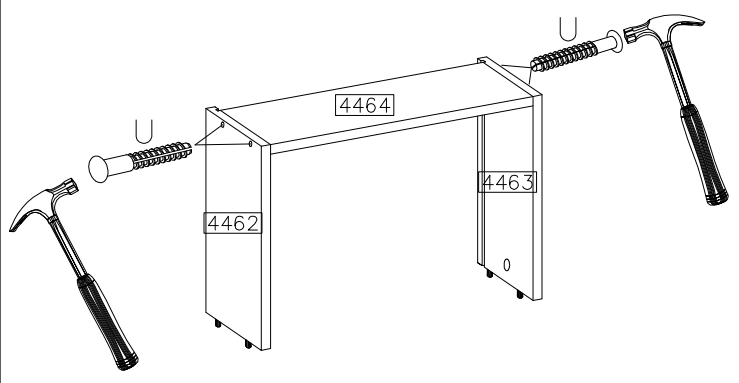


18

3x


- 

U  
12

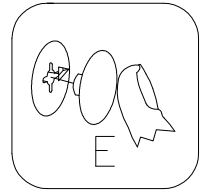
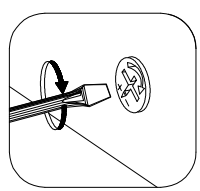
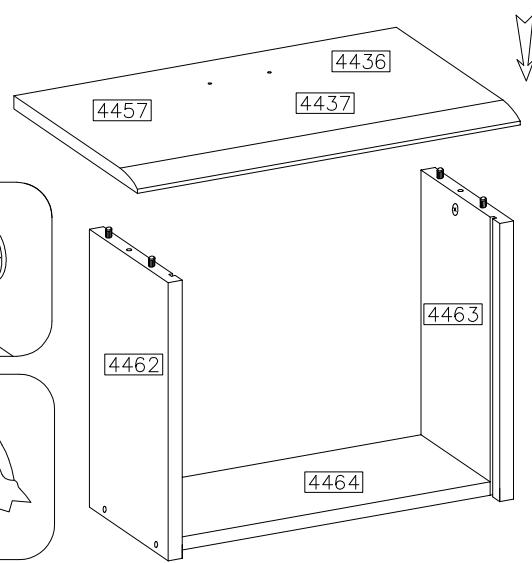


19

3x


- 

E  
6

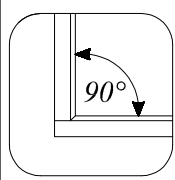
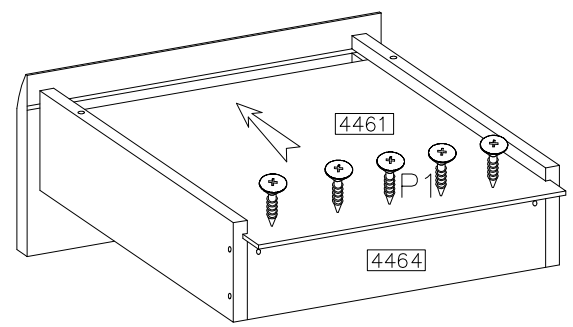


20


2x

- 

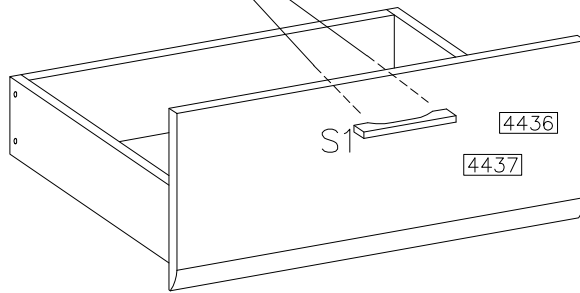
ø3.0x16mm  
P1  
12




21

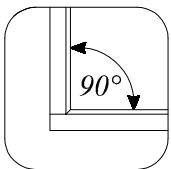
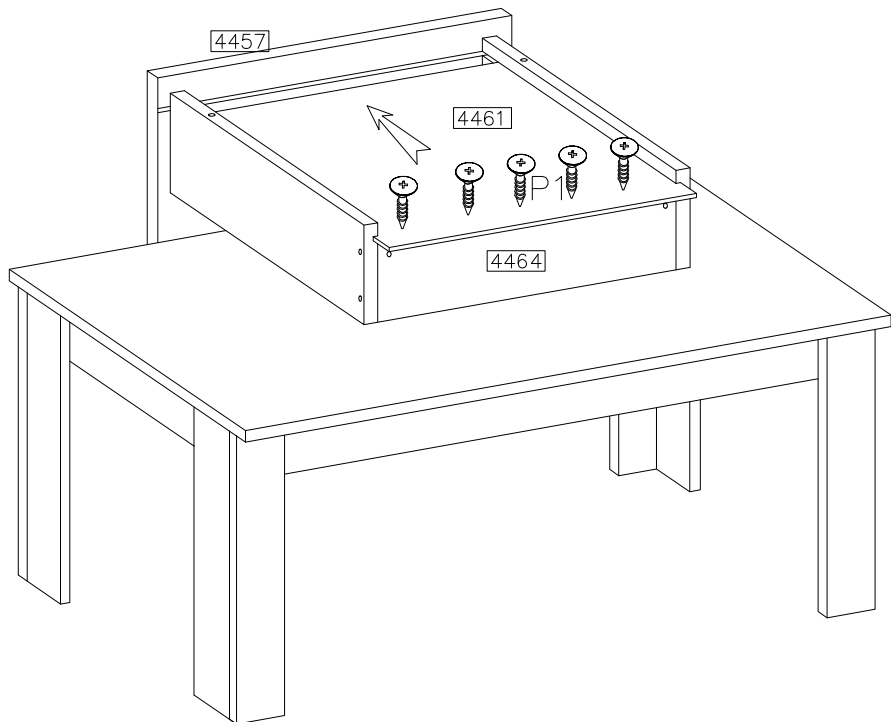
	M4.0x22mm
S1	R2
2	4

2x





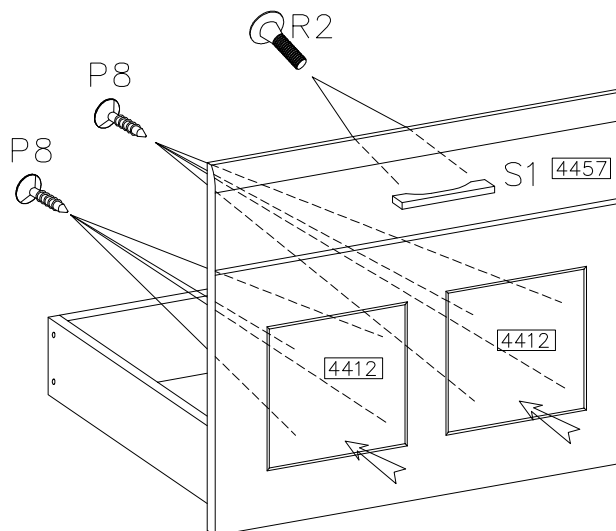
22

	Ø3.0x16mm
P1	
6	




23

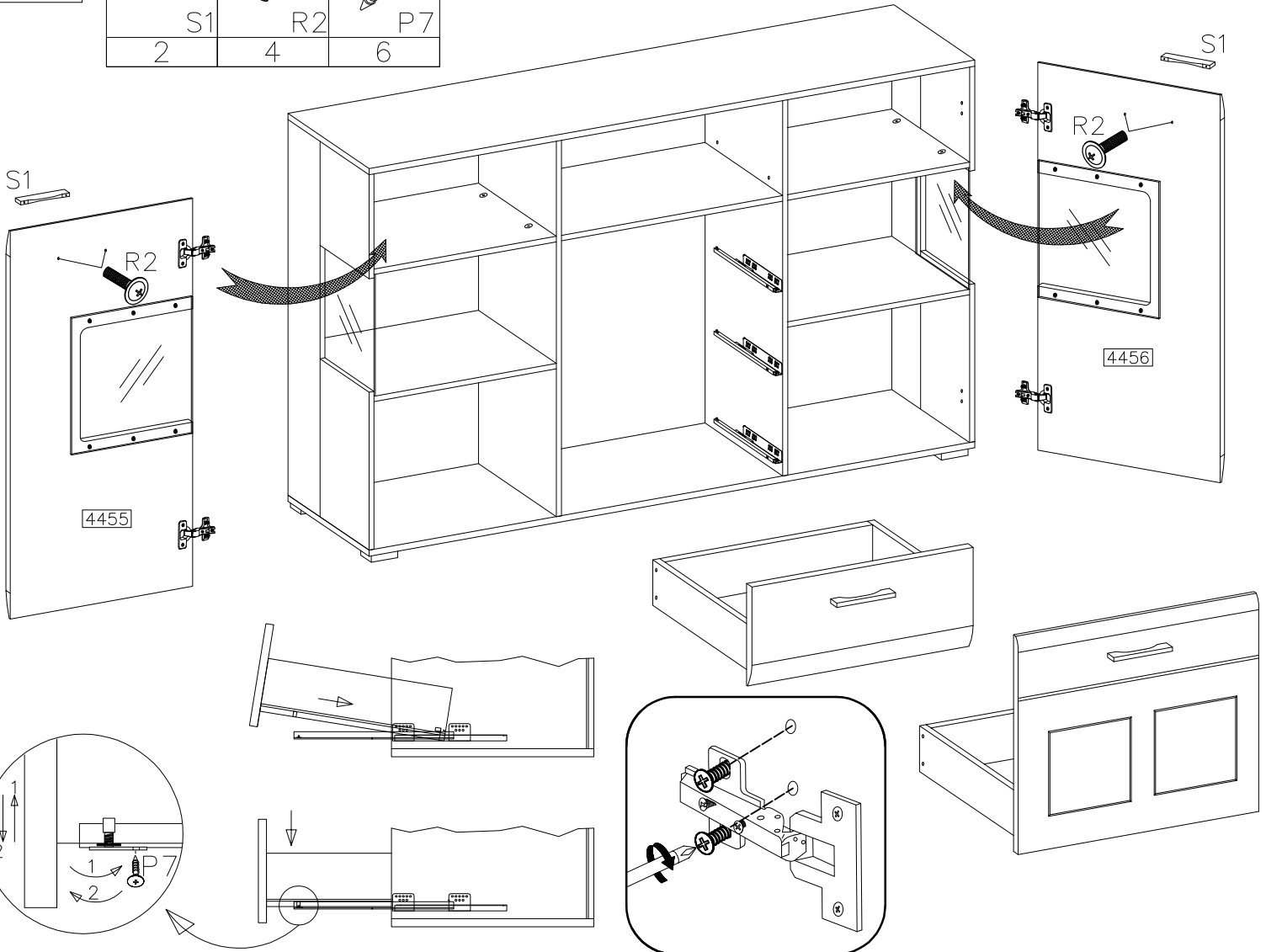
	M4.0x22mm
S1	R2
1	2
Ø4.0x16mm	
	
P8	
8	



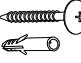


24

	M4.0x22mm	Ø3.0x20mm
S1	R2	P7
2	4	6



25

Ø6.0x50mm

Z
2

