

A	B	C (mm)		D
1	S271-0002	330	597	1/1
2	S271-1051	493	450	1/1
3	S271-1052	493	450	1/1
4	S271-1053	400,5	370	1/1
5	S271-1054	400,5	370	1/1
6	S271-1055	292	384,	1/1
7	S271-2051	1456,	450	1/1
8	S271-2052	229	386	1/1
9	S271-2056	229	386	1/1
10	S271-3051	1424	370	1/1
11	S271-3052	550	370	1/1
12	S271-5051	450	80	1/1
13	S271-5052	508	80	1/1
14	S271-5053	498	58,	1/1
15	S271-5054	498	80	1/1
16	S271-5056	1341,	80,	1/1
17	S271-5058	312	80,	1/1
18	S271-5059	155	80	1/1
19	S271-5060	601	40	1/1
20	S271-5061	498	80	1/1
21	S271-5079	1501,	80	1/1
22	S271-9051	419,	1434	1/1
23	WSP-9106	539	358	1/1
24	WSQ8-505	350	220	1/1
25	WSQ8-506	350	220	1/1
26	WTQ-5221	529	207,	1/1
27	S271-5093	155	80	1/1

1x  c429\3	2x  M4x22 mm j30	8x  k1	1x  o80\3
1x  5W o75\2	2x  Ø2,9x16 mm p55	3x  s1	3x  Ø16 s2
2x  86x21x15,5 n14\2	4x  Ø3,5x16 mm p38	2x  Ø10x50 mm f35	2x  Ø5x60 mm p17



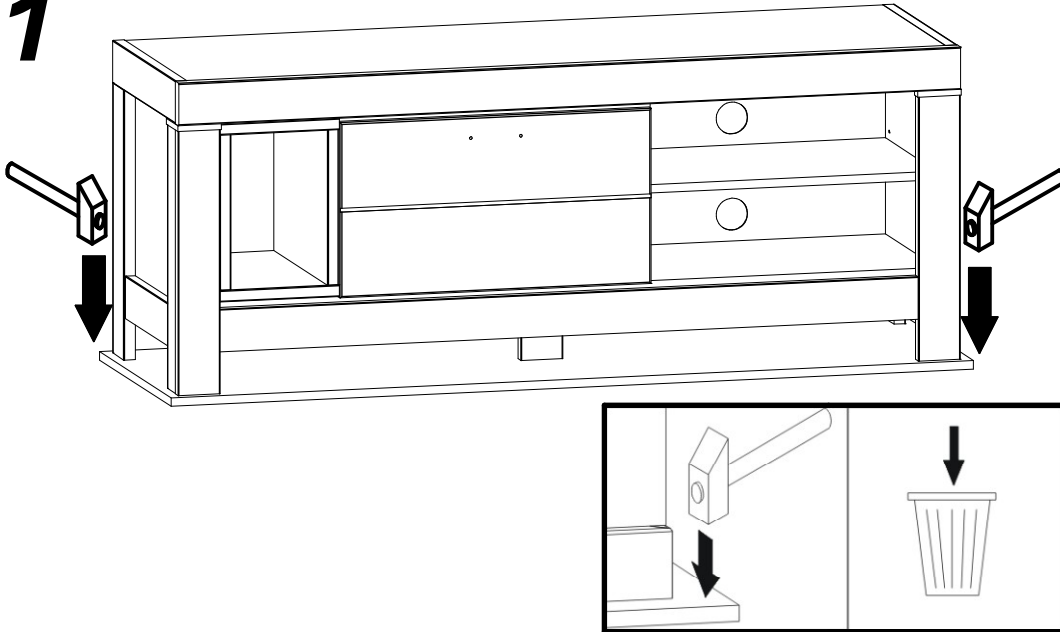
A

S271-RTV1S/6/15

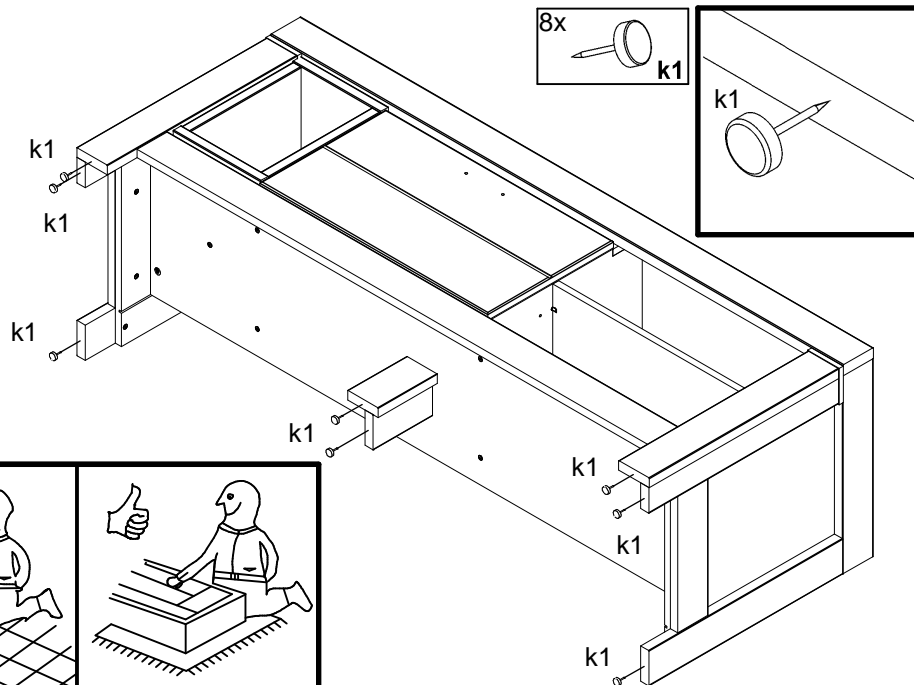
4054--30

3 / 6

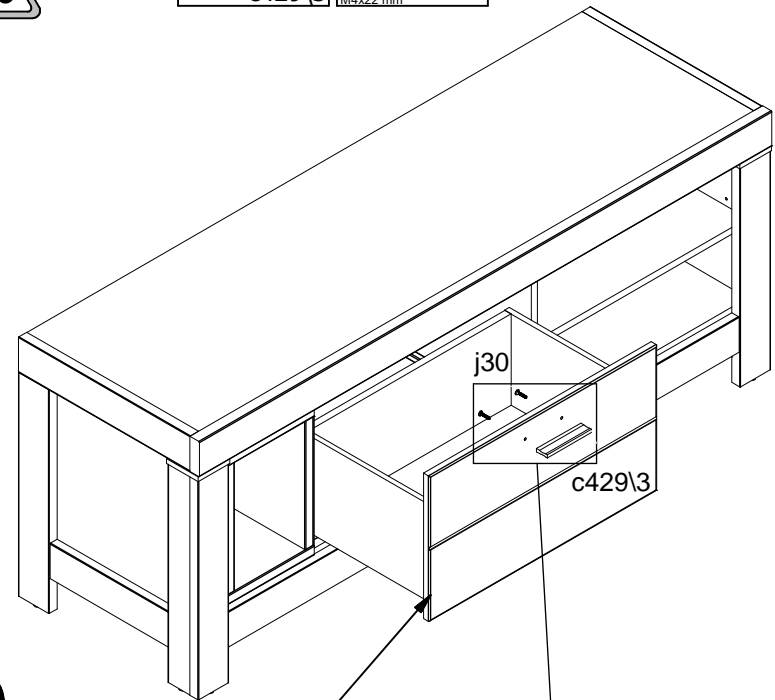
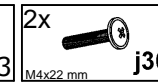
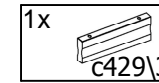
1



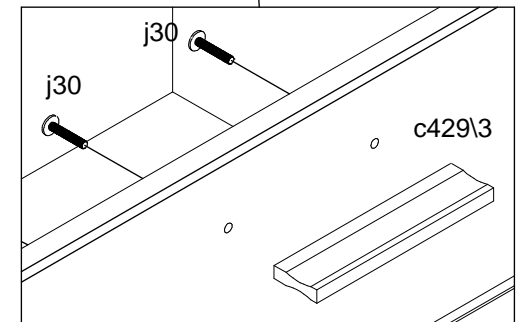
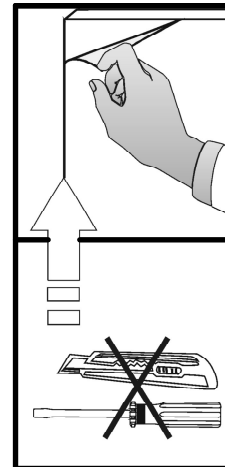
2



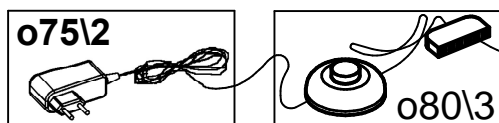
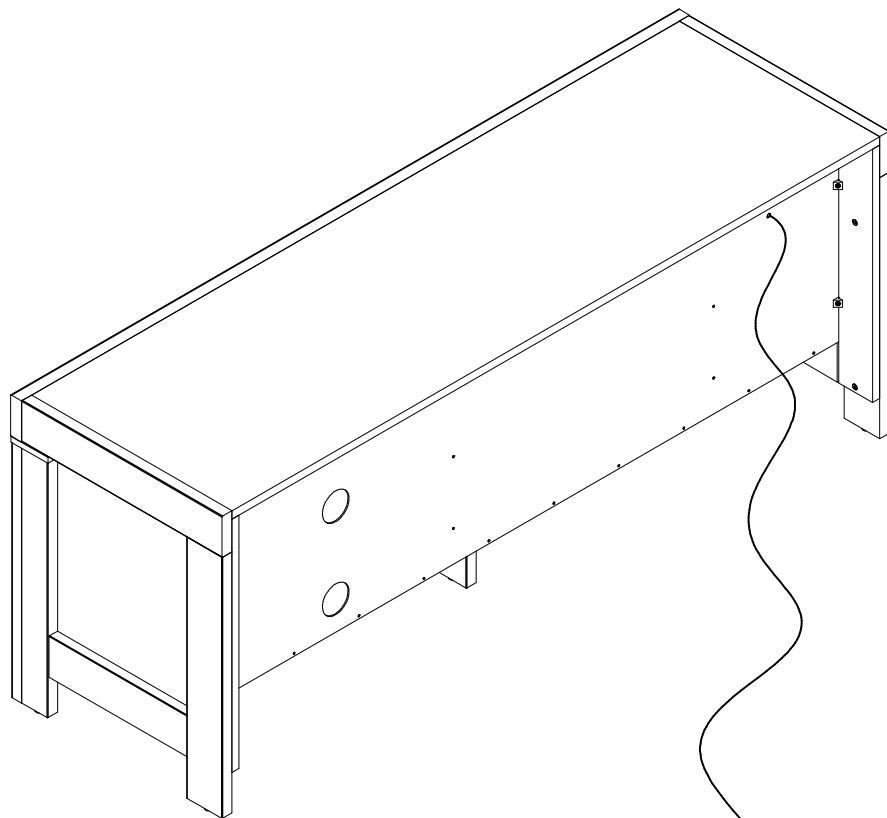
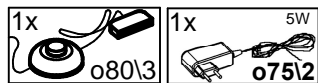
3



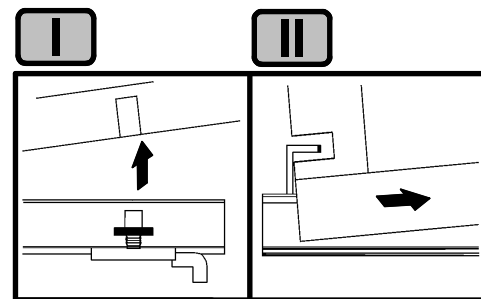
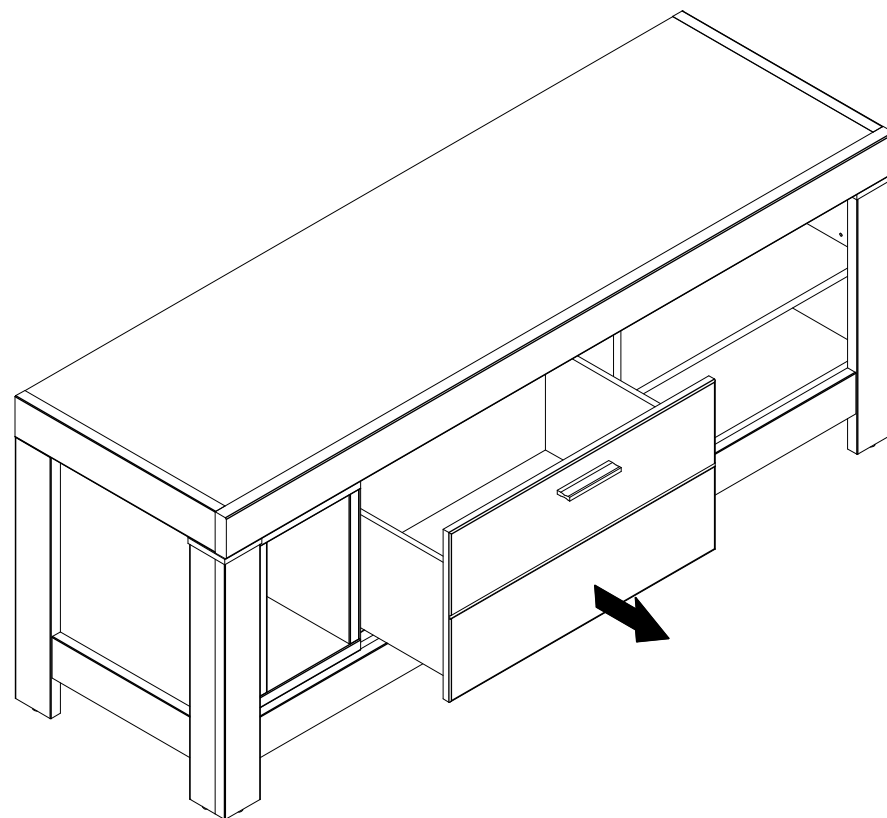
40543W30



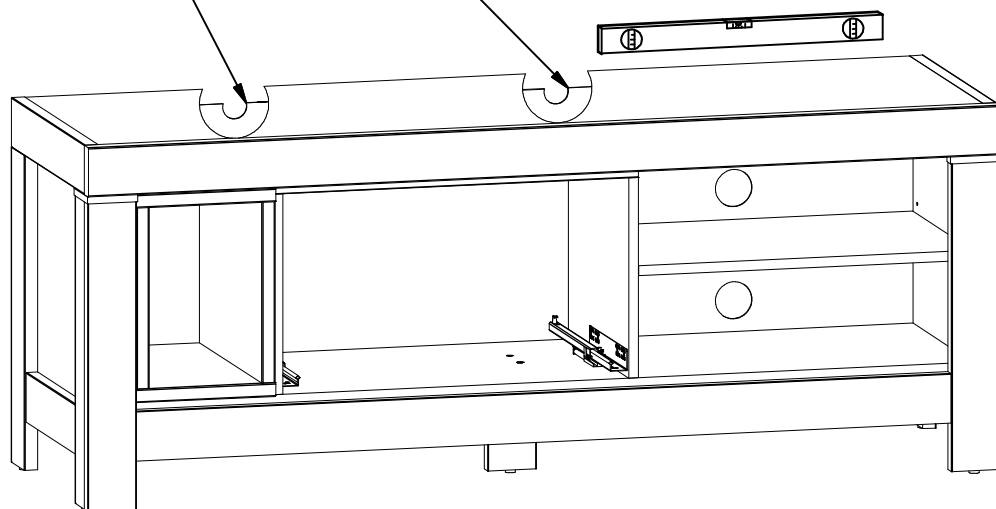
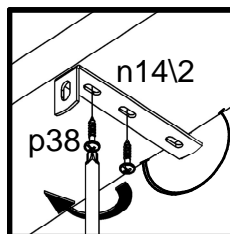
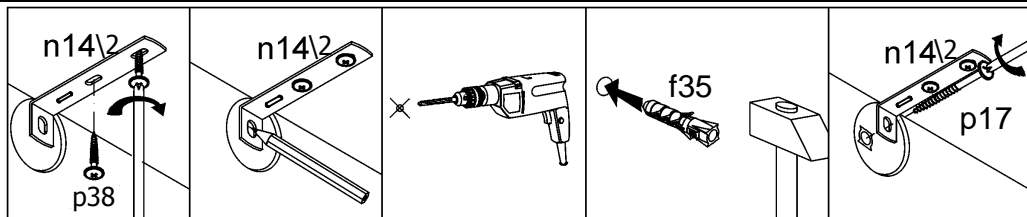
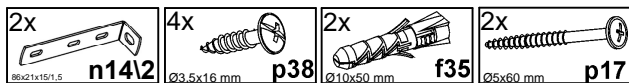
4



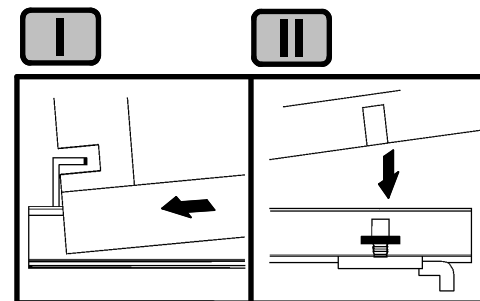
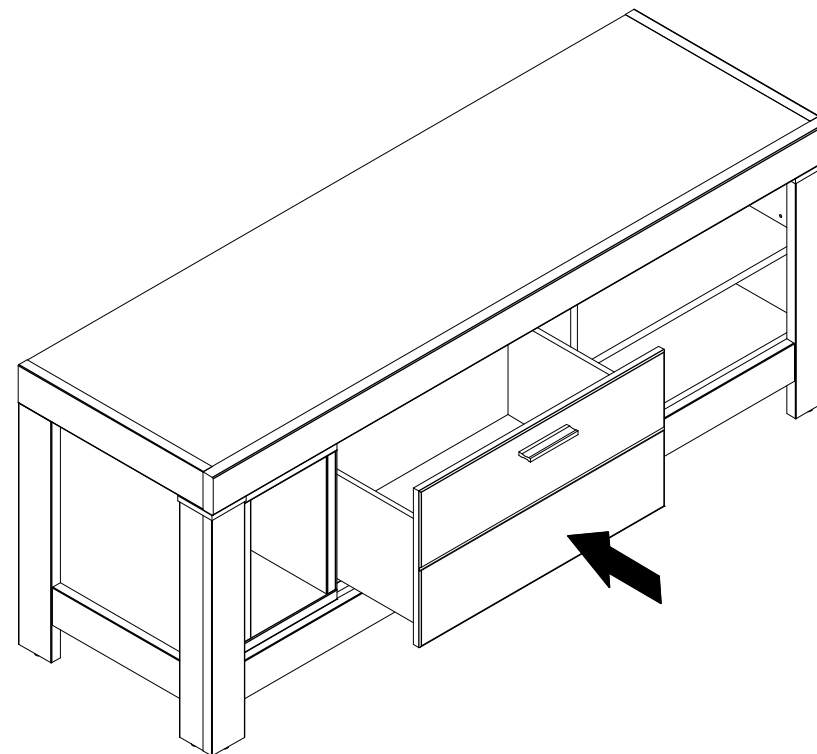
5



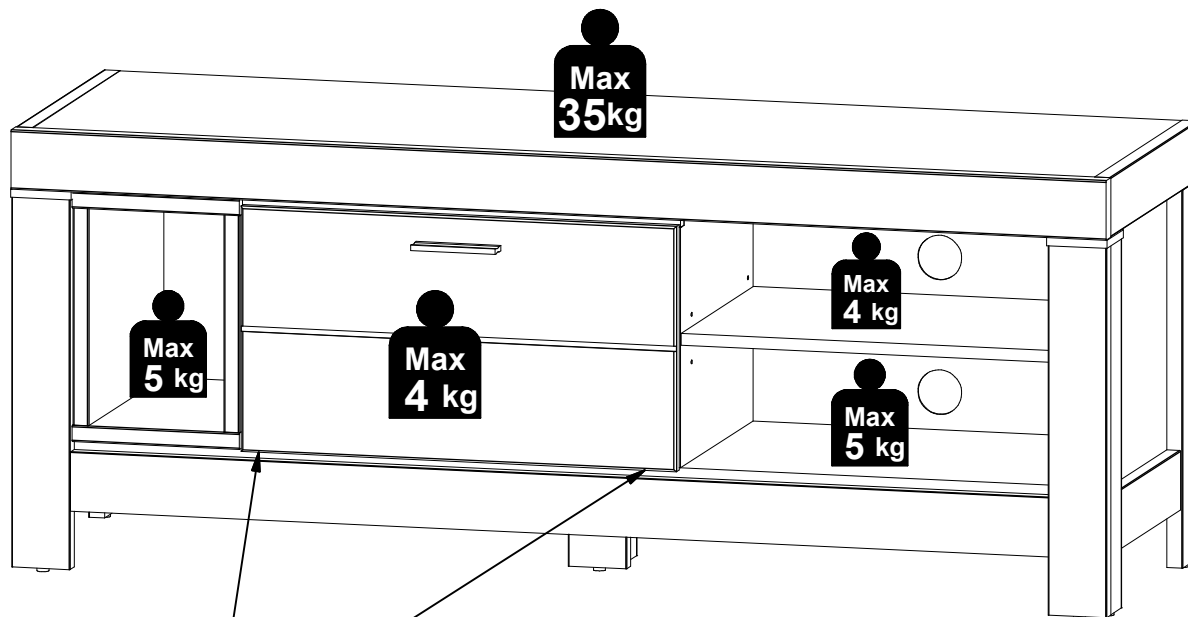
# 6



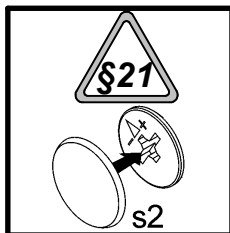
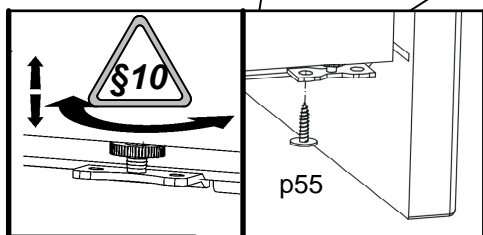
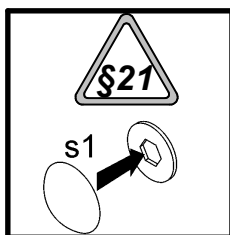
# 7



# 8



- 3x s1
- 3x s2



- 2x p55
- Ø2,9x16 mm

