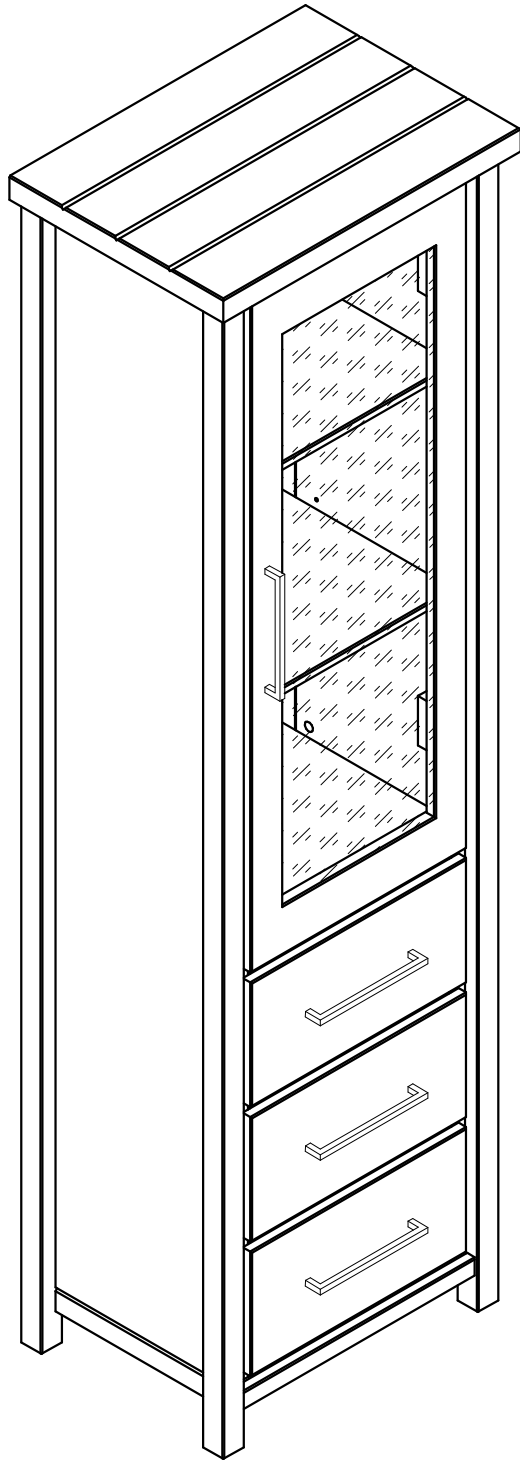
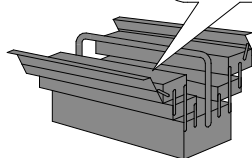
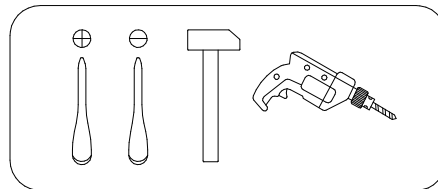
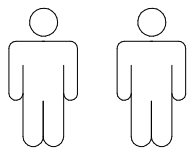
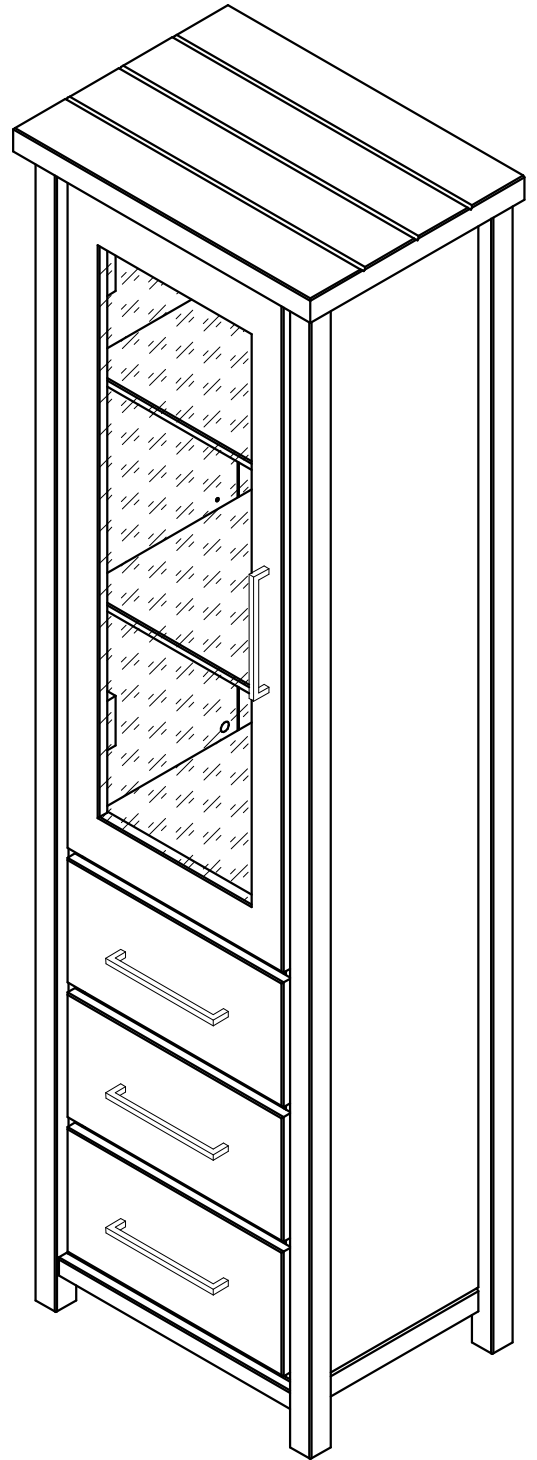


VARIANT 1

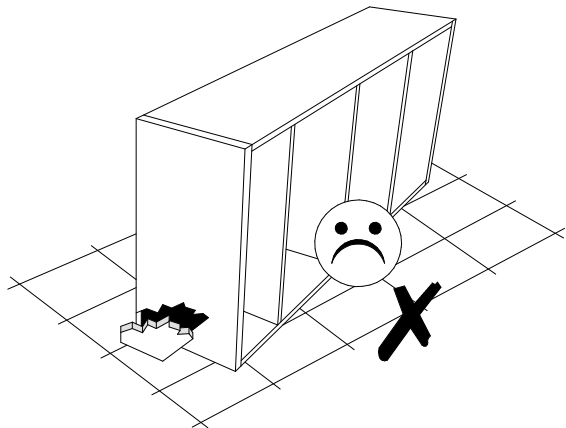
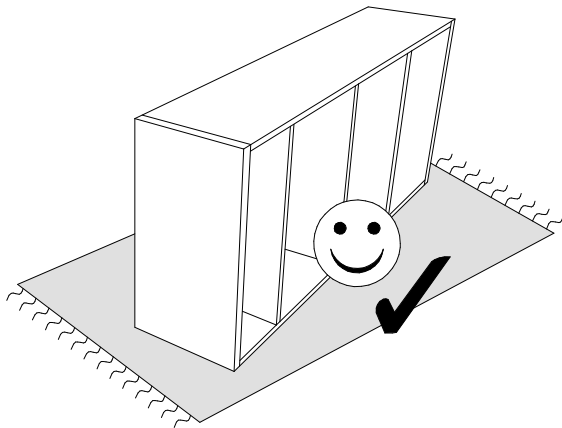
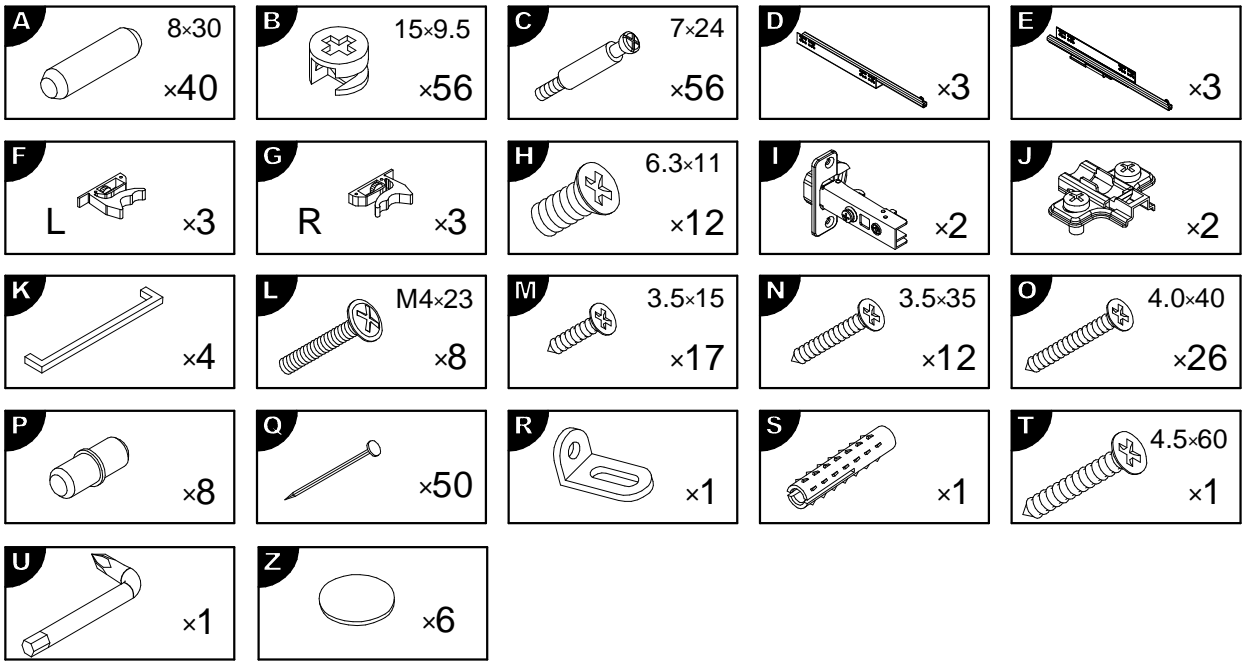


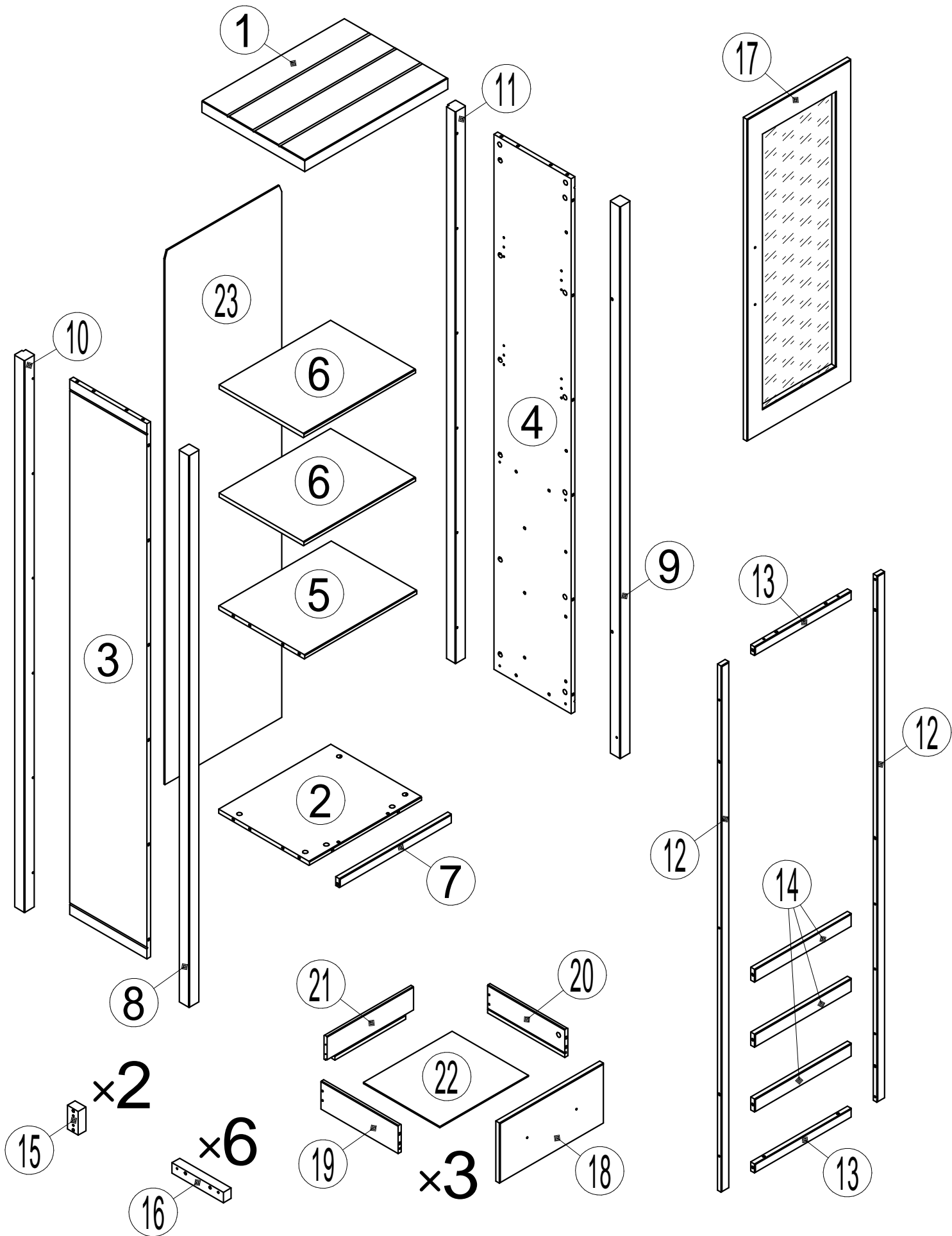
VARIANT 2



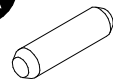
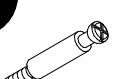
0
10
20
30
40
50
60
70
80
90
100
110
120
130
140
150
160
170
180
190
200

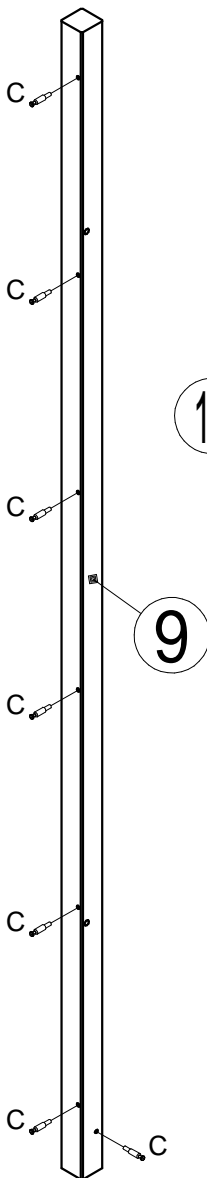
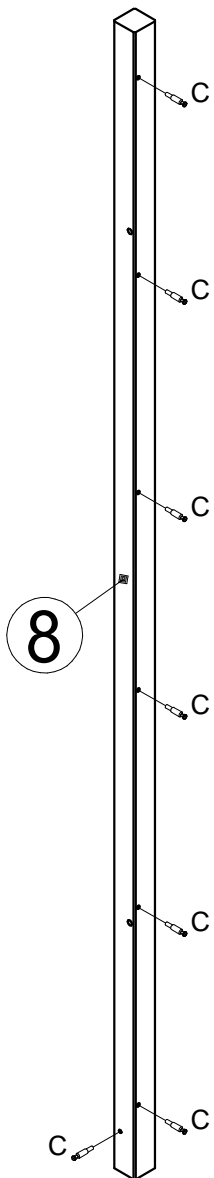
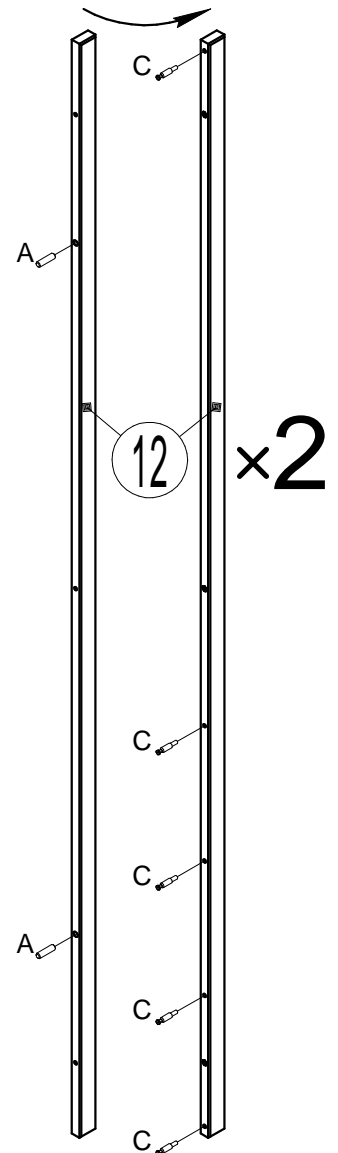
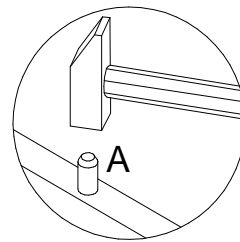
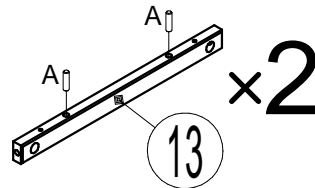
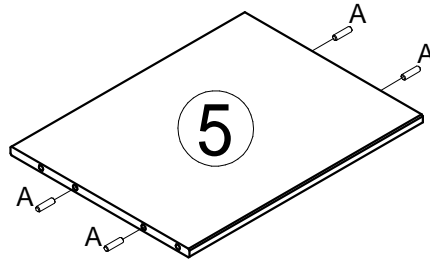
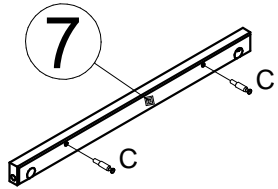
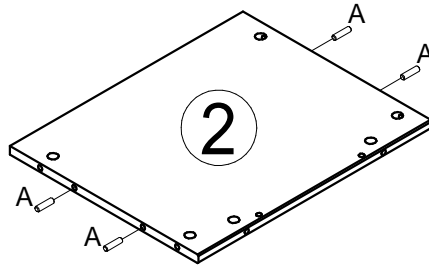
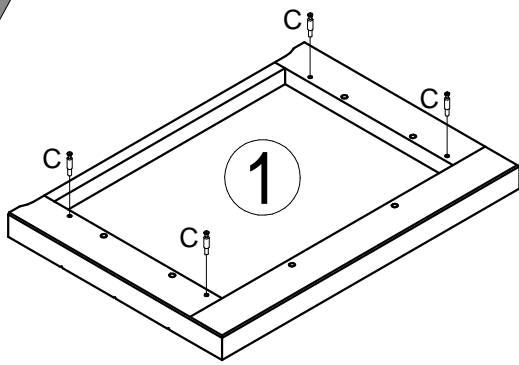
N	Size/MaB (mm)	Qty	✓	N	Size/MaB (mm)	Qty	✓
1	556×400	1		13	376×30	2	
2	436×353	1		14	376×44	3	
3	1802×300	1		15	80×42	2	
4	1802×300	1		16	200×35	6	
5	436×335	1		17	1084×404	1	
6	434×330	2		18	404×202	3	
7	436×30	1		19	300×94	3	
8	1860×40	1		20	300×94	3	
9	1860×40	1		21	336×94	3	
10	1860×40	1		22	297×345	3	
11	1860×40	1		23	1795×454	1	
12	1772×30	2					



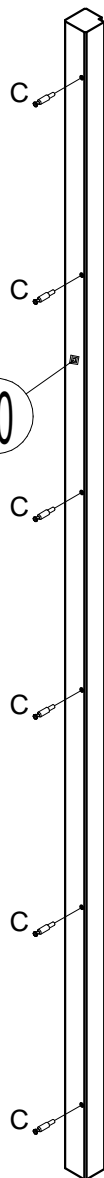


1

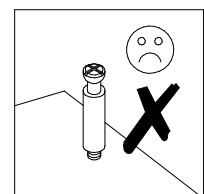
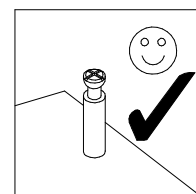
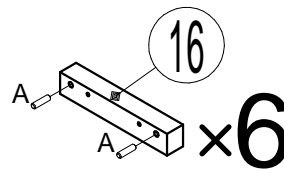
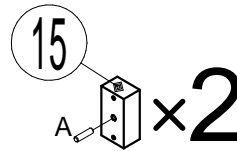
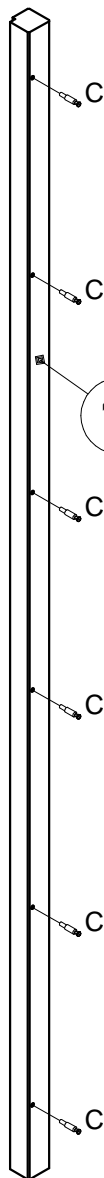
A		8x30 x30
C		7x24 x42



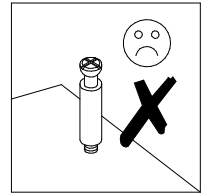
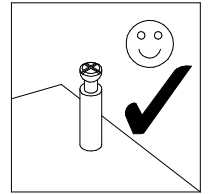
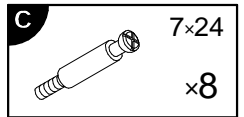
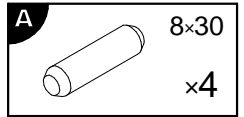
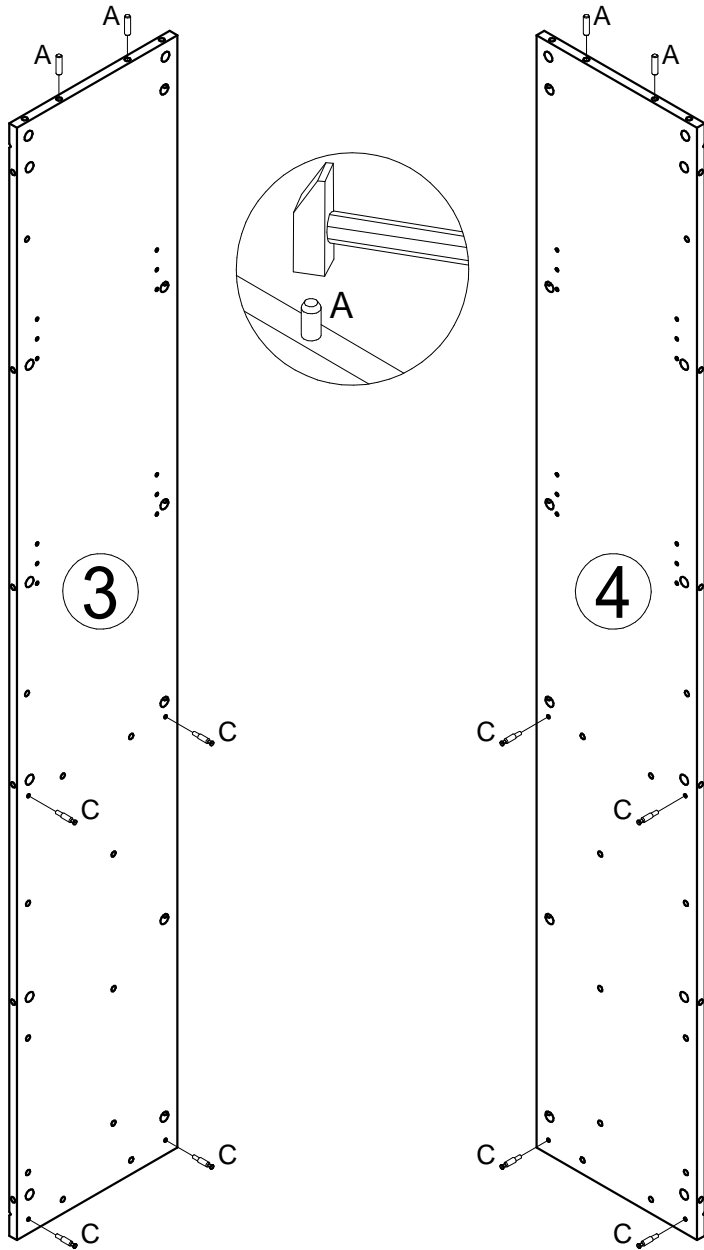
10



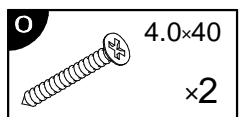
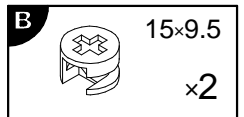
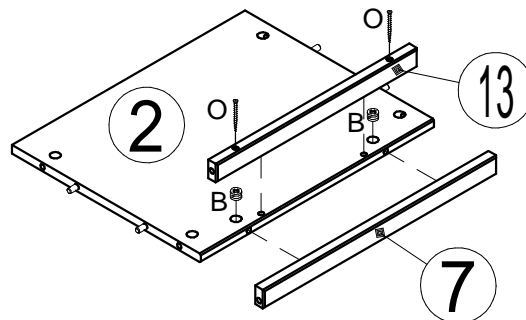
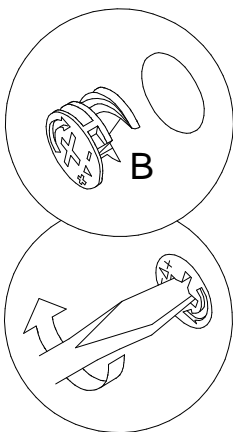
11



2

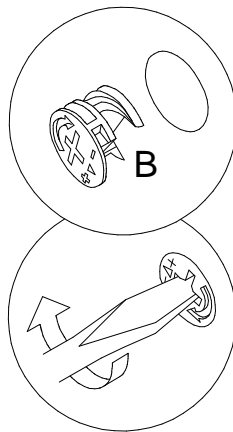
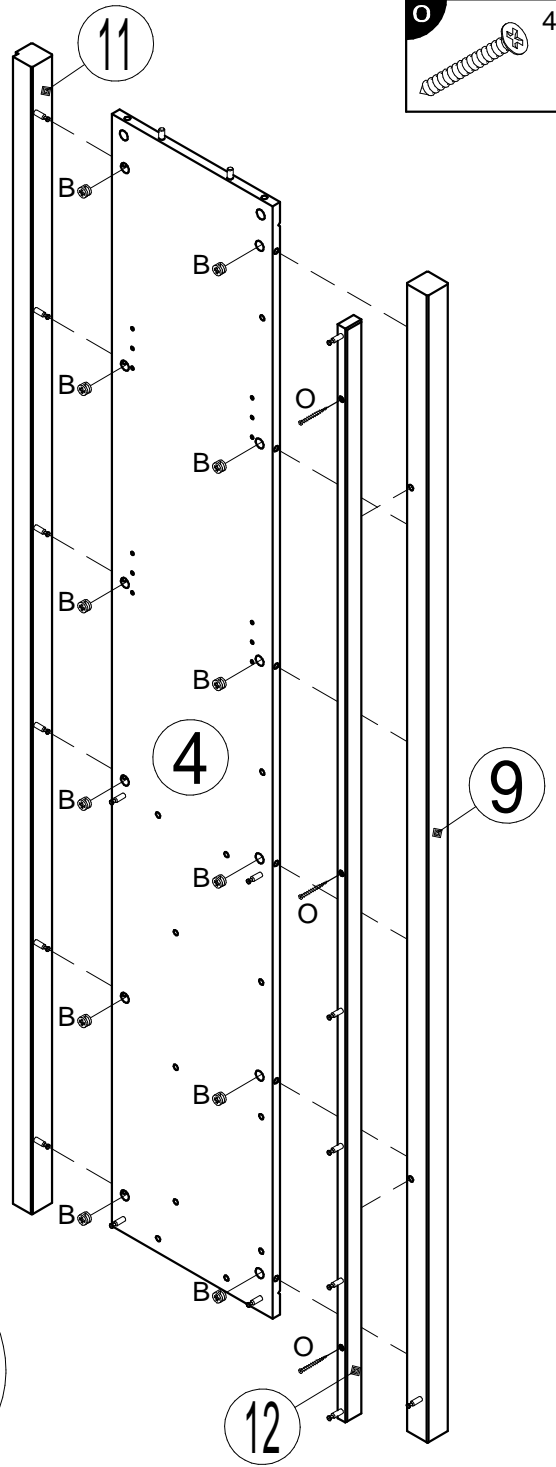
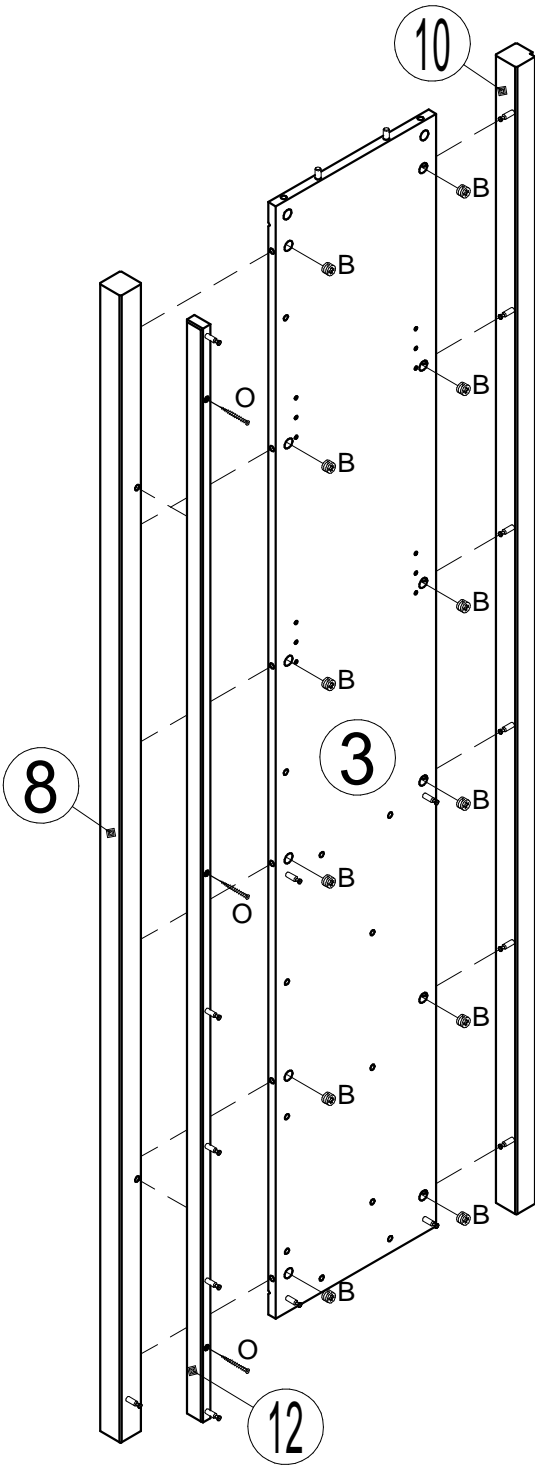


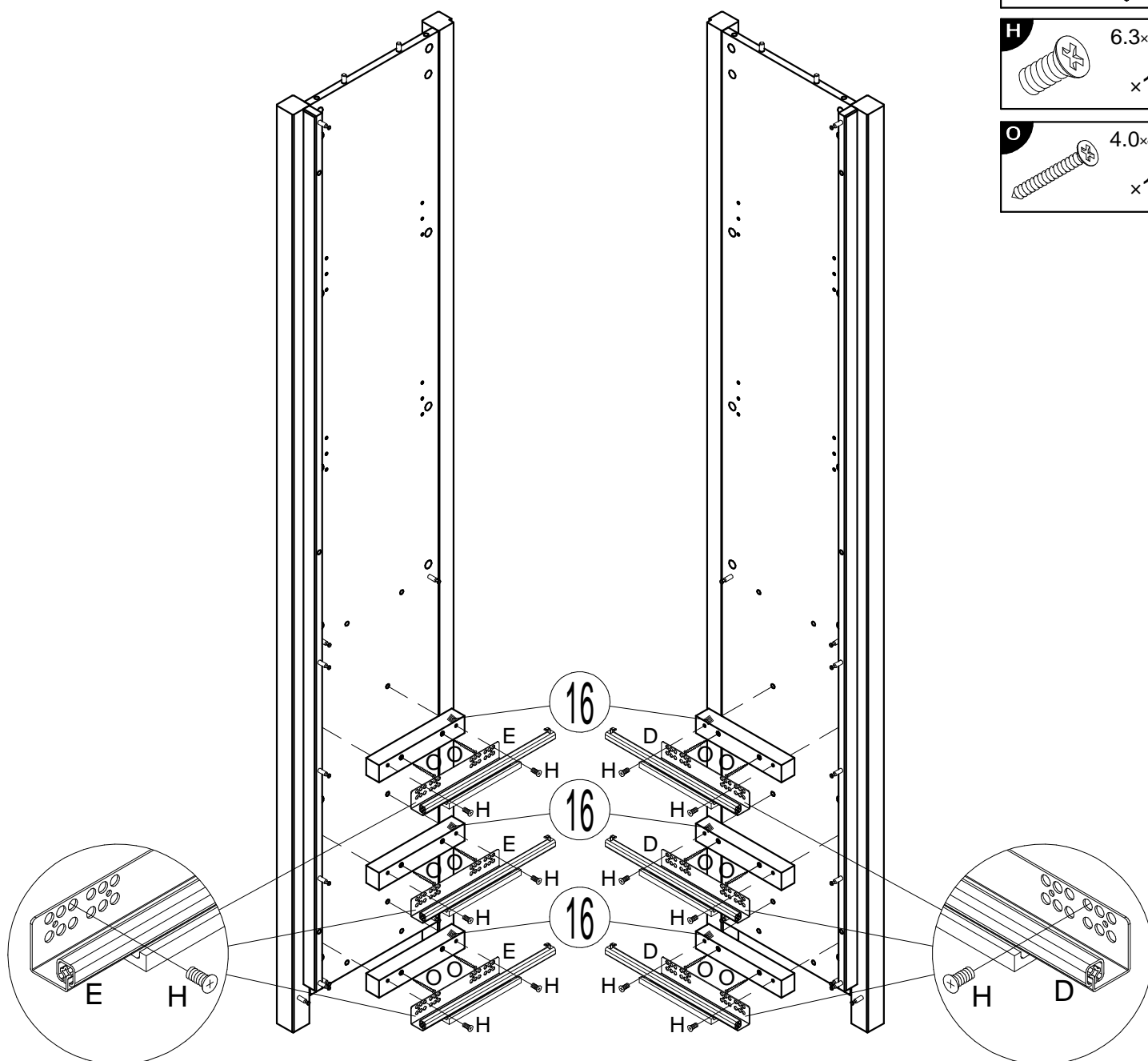
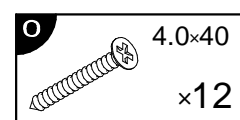
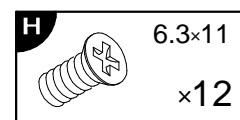
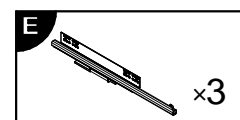
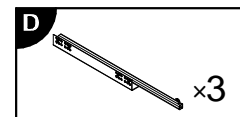
3



B 15x9.5
x24

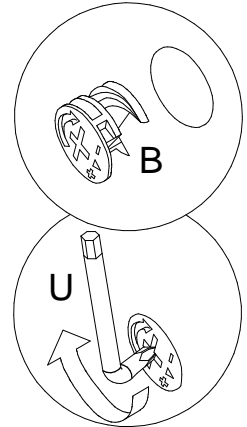
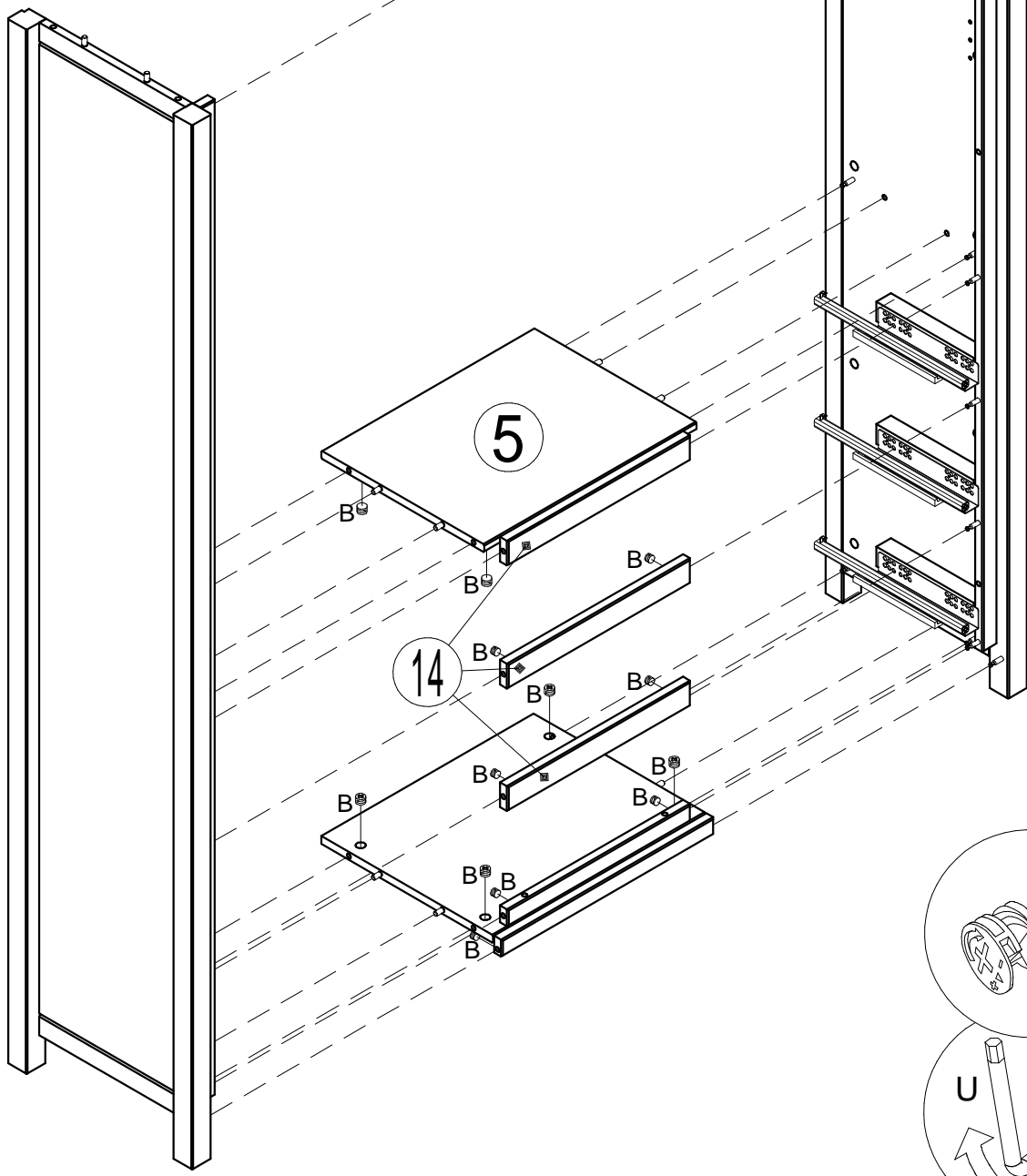
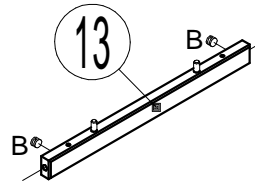
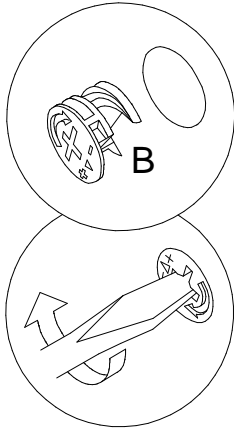
O 4.0x40
x6

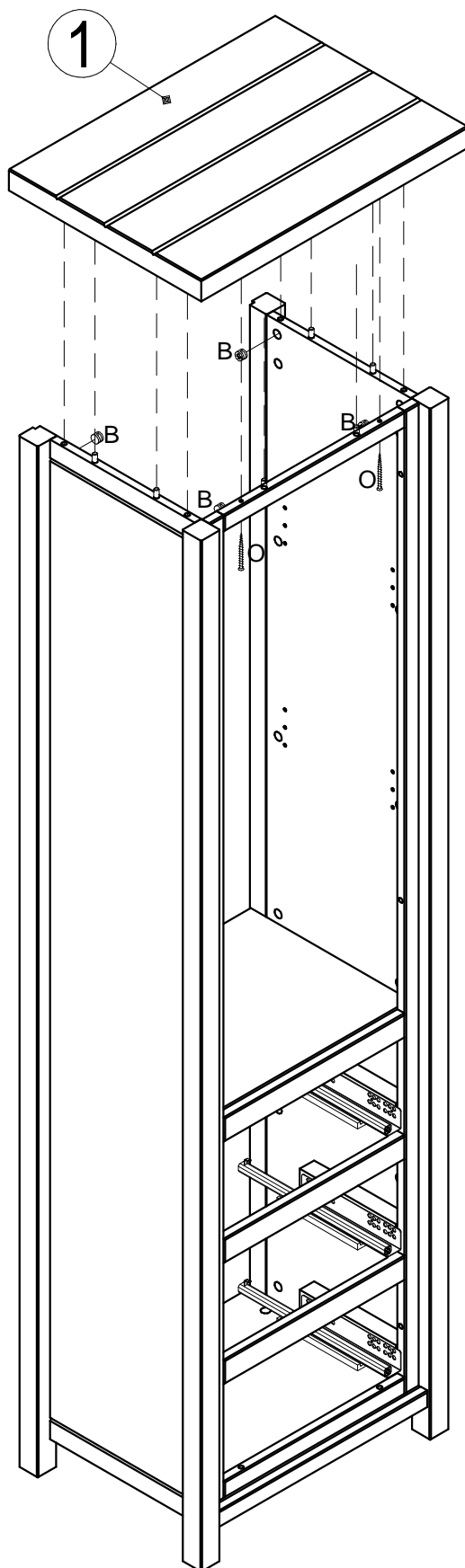
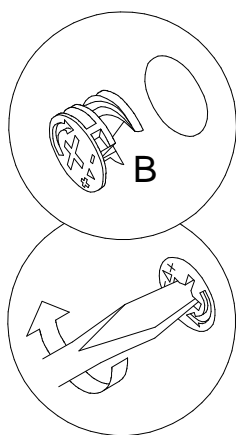
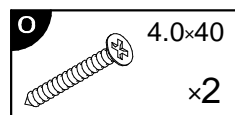
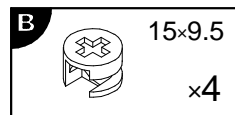


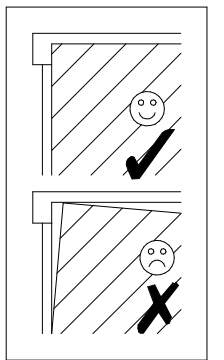
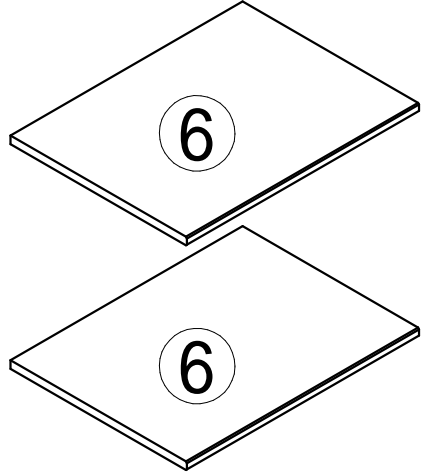
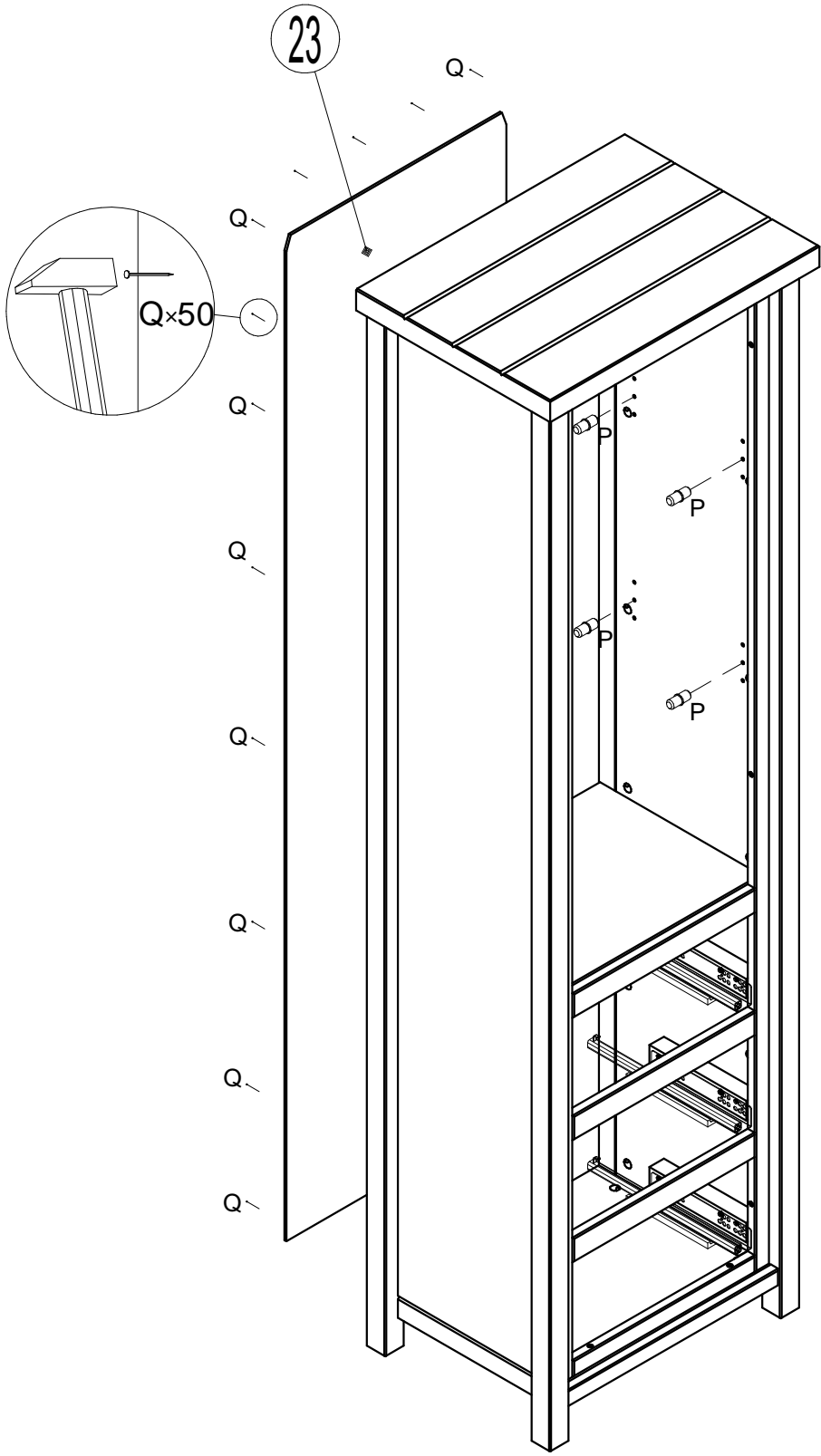
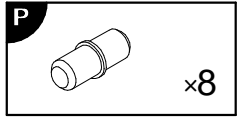
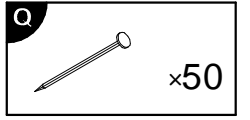


B 15x9.5
x20

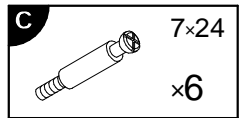
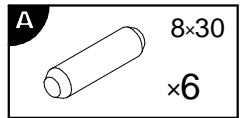
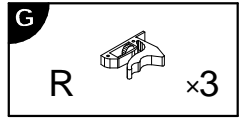
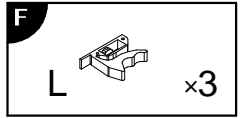
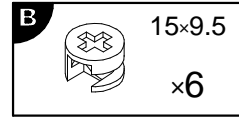
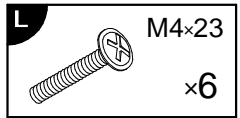
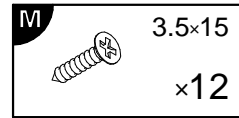
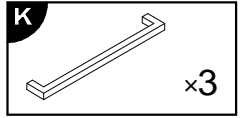
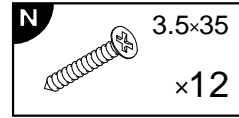
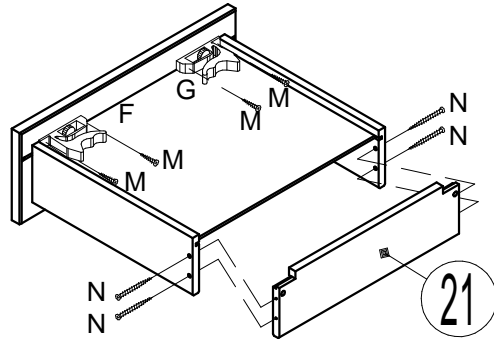
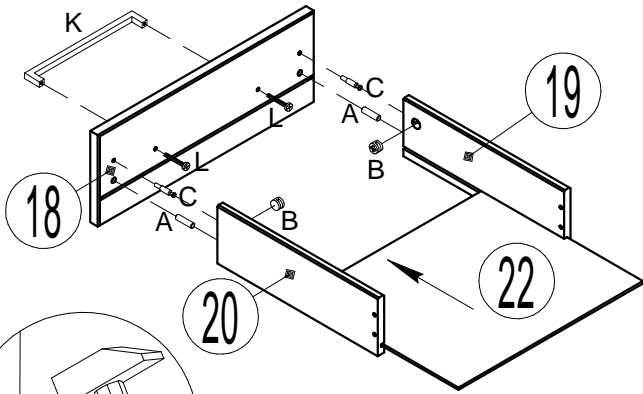
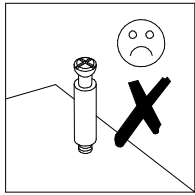
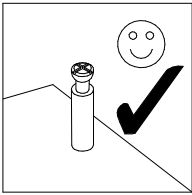
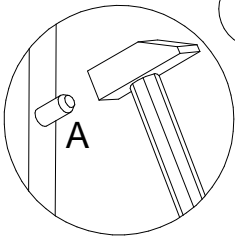
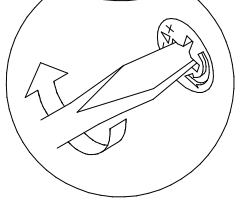
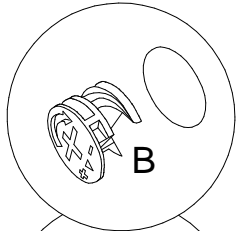
U
x1





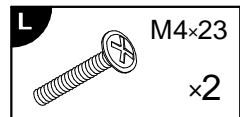
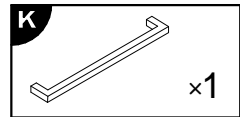
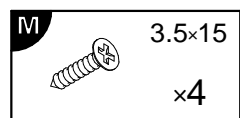
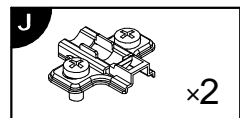
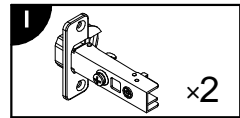
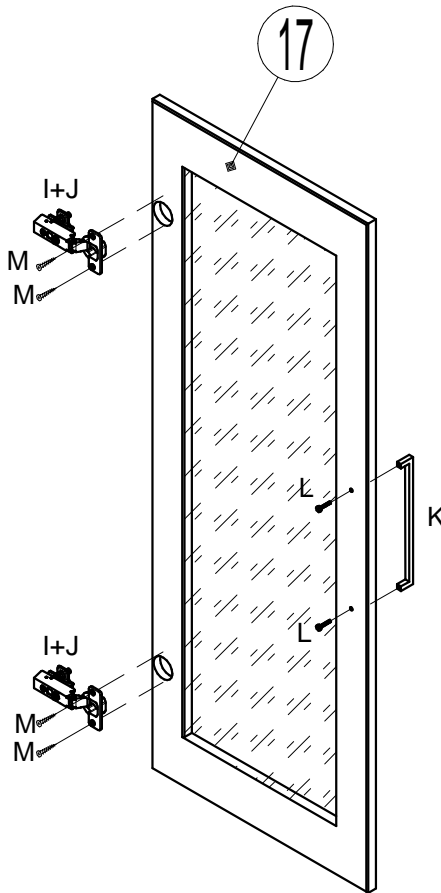
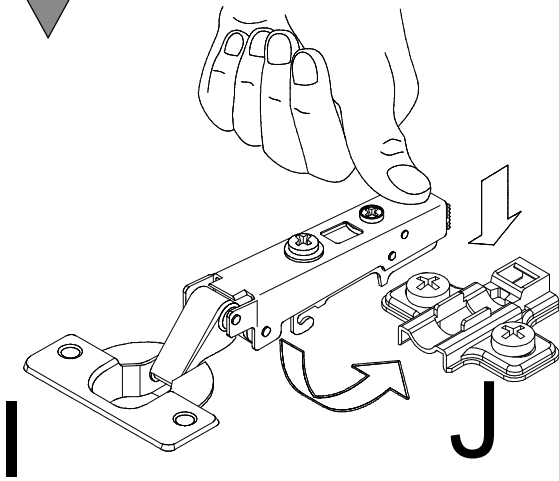


9



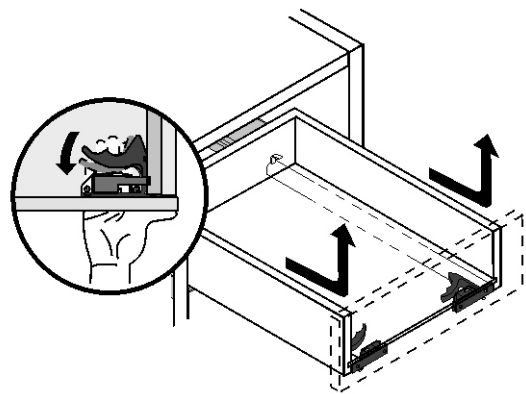
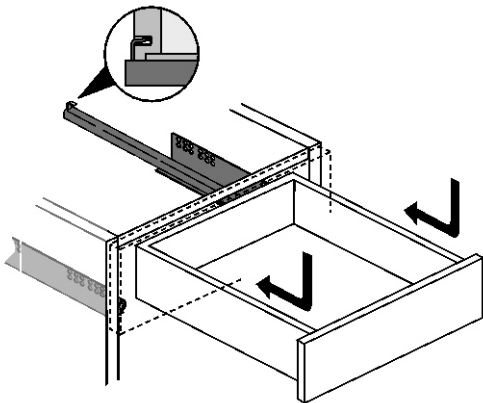
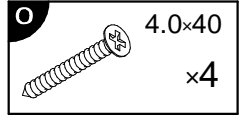
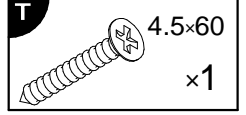
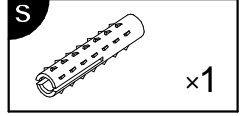
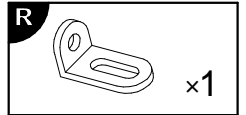
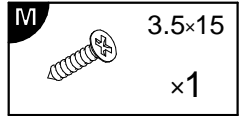
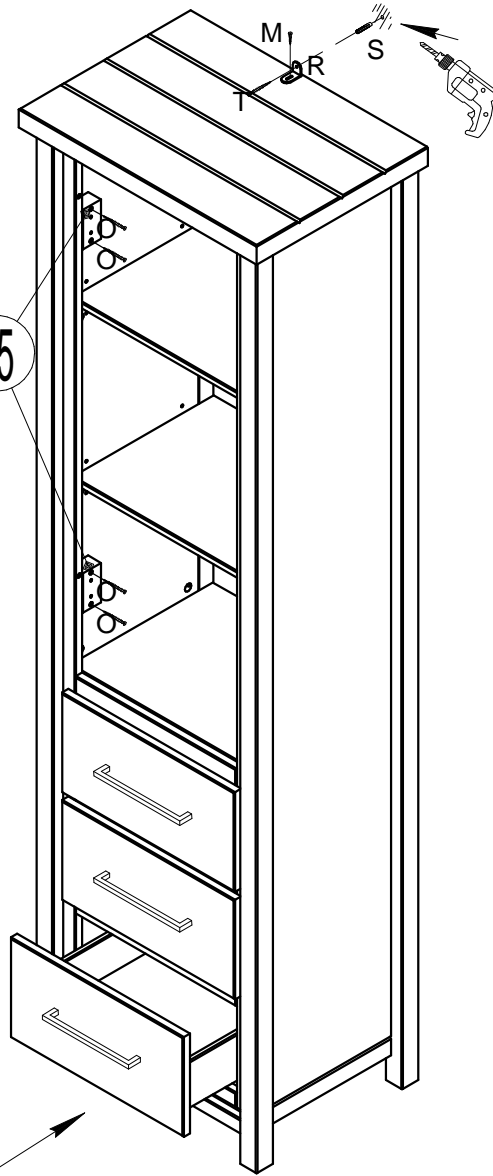
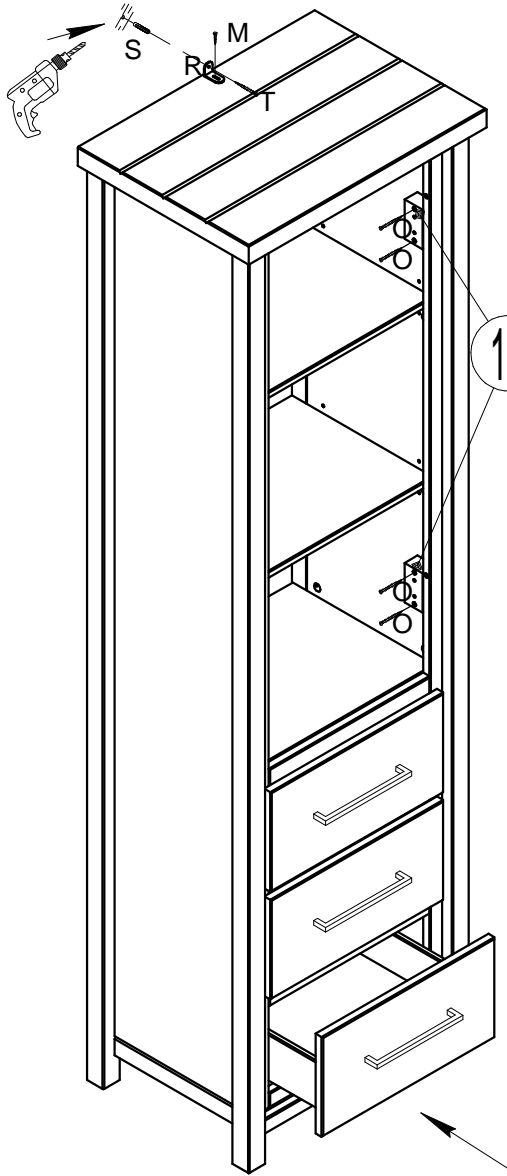
x3

10



VARIANT 1

VARIANT 2



VARIANT 1

VARIANT 2

