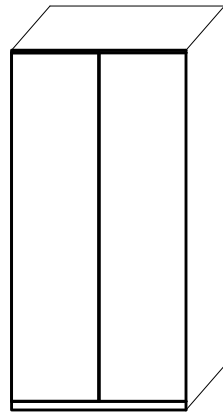
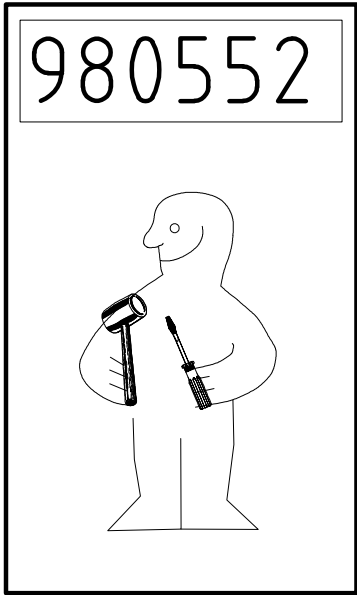
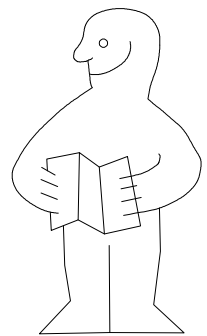
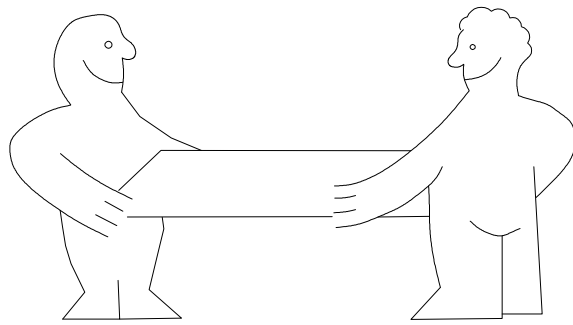
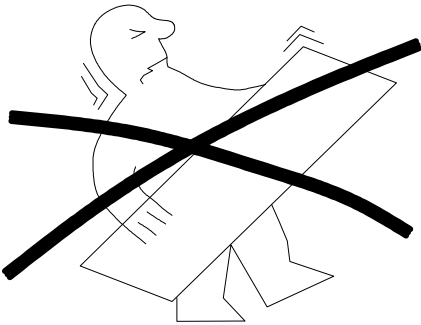


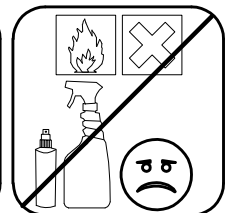
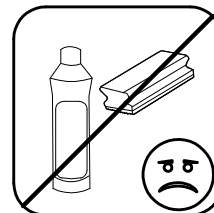
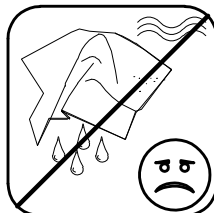
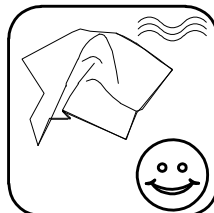
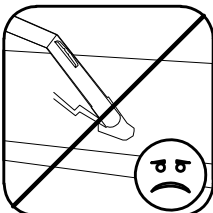
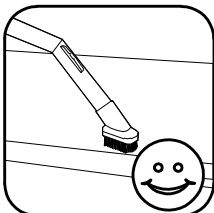
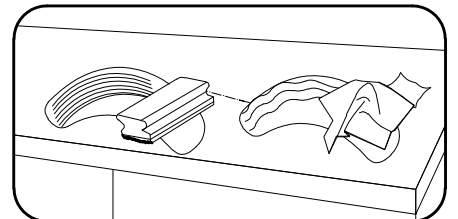
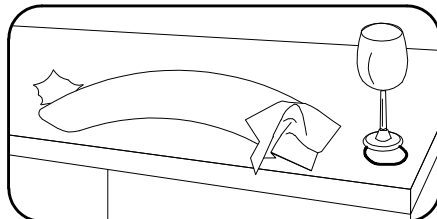
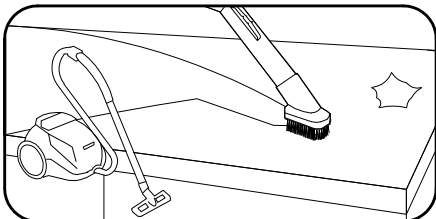
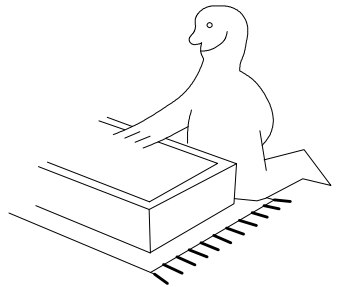
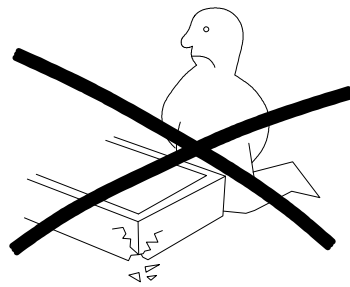
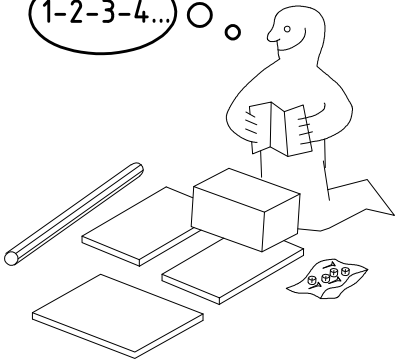
980552



HSP 100



1-2-3-4... ○


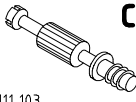

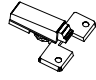


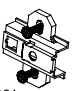
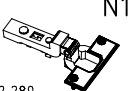


980552


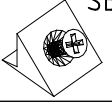
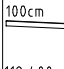
26.07.17 / -

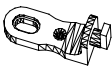
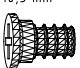

07 17

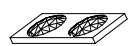
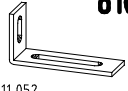

1/9

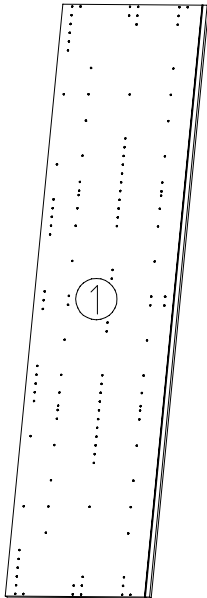
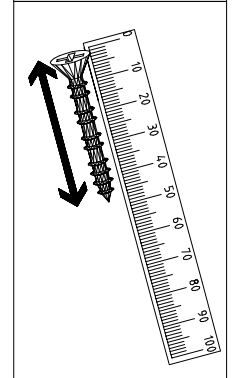
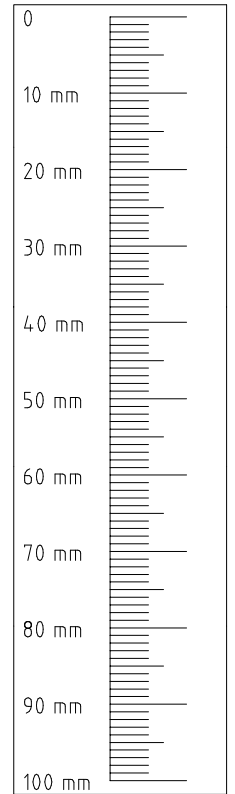
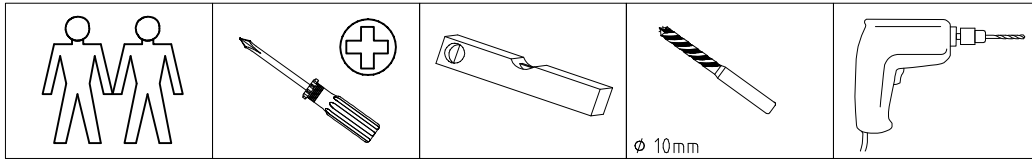
 111 149	A1	8x
 111 103 3,5 x 15 mm	C	8x
 121 370	G1	14x
	N-D	3x

 112 291	M1	6x
 112 289	N1	6x
 111 300	S0	5x
 111 xxx ∅12	V12	5x

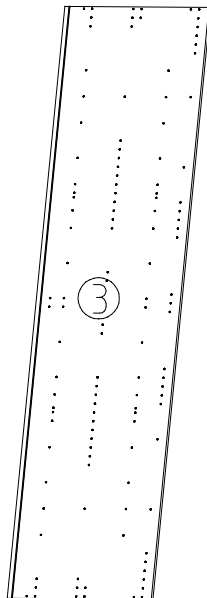
 117 002	K2	2x
 100cm	SBV	8x
 112 400	K10	1x

 111 611	J2	3x
 6,3 x 10,5 mm 112 055	T1	10x
 111 607	L8	4x

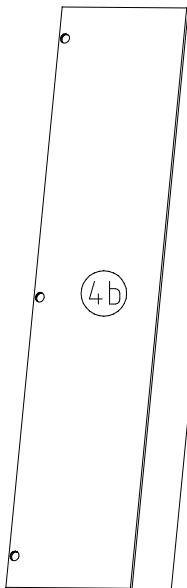
 352 302	KP8	4x
 111 052	o10	1x
 4 X 13mm 121 122	SP13	2x



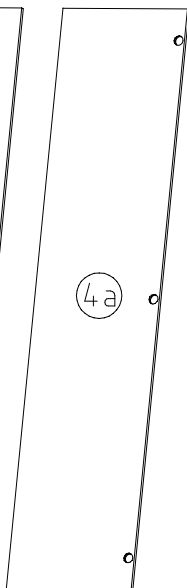
2160x560x15



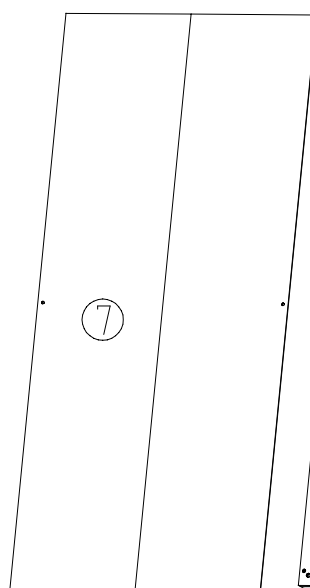
2160x560x15



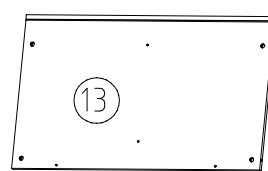
2118x484x15



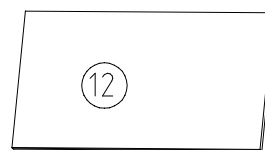
2118x484x15



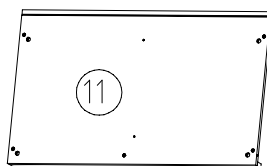
2111x973x2,5



964x560x15

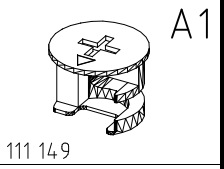
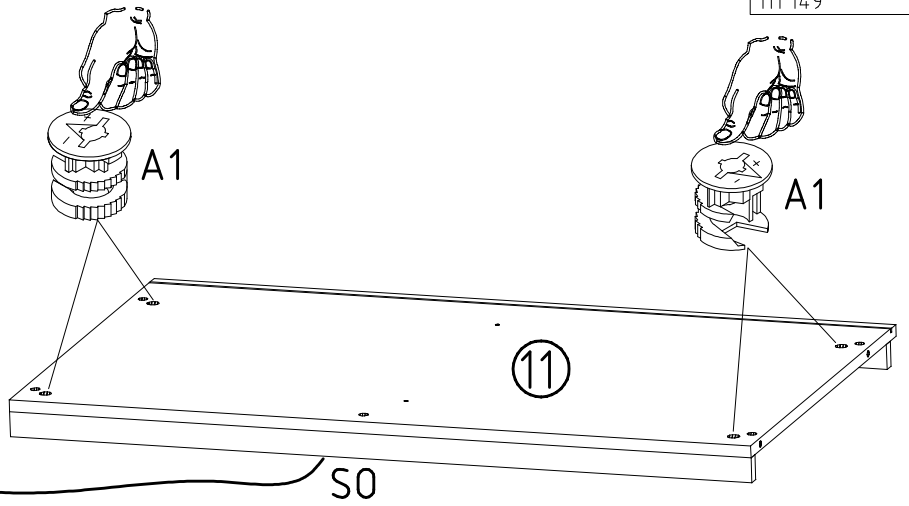
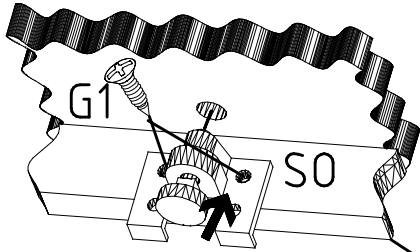


964x500x18

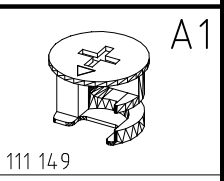
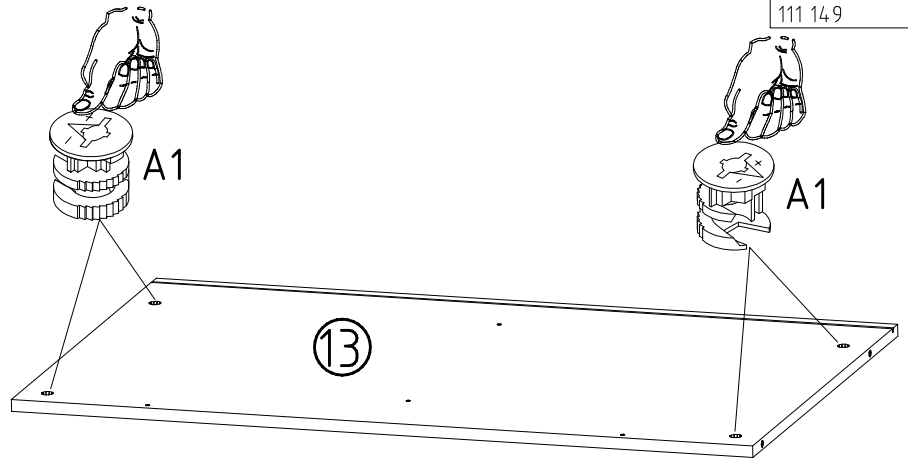


964x560x47

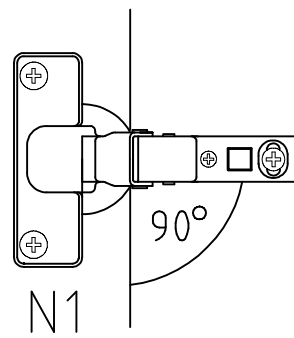
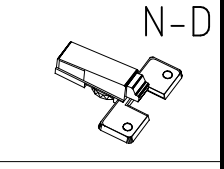
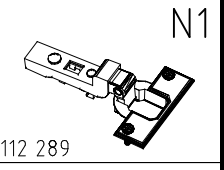
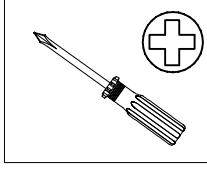
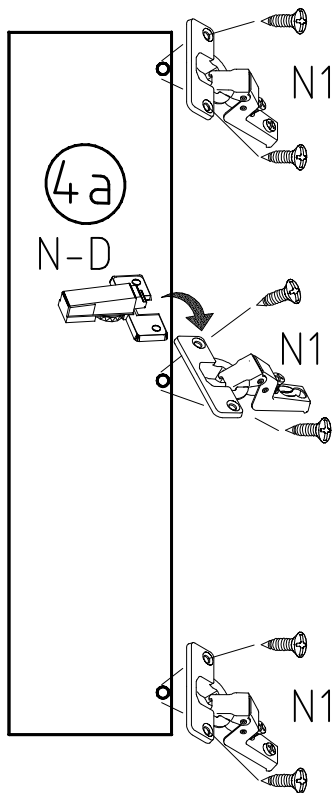
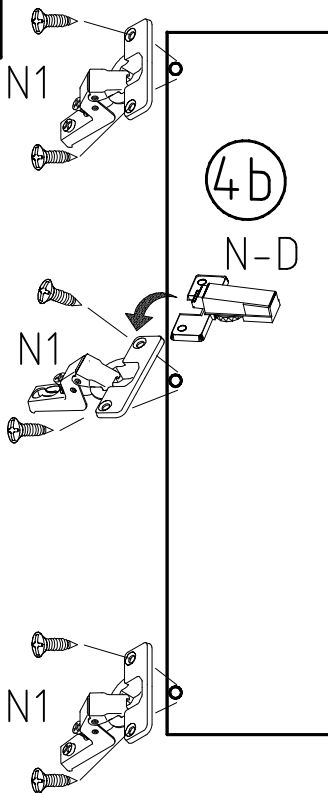
1

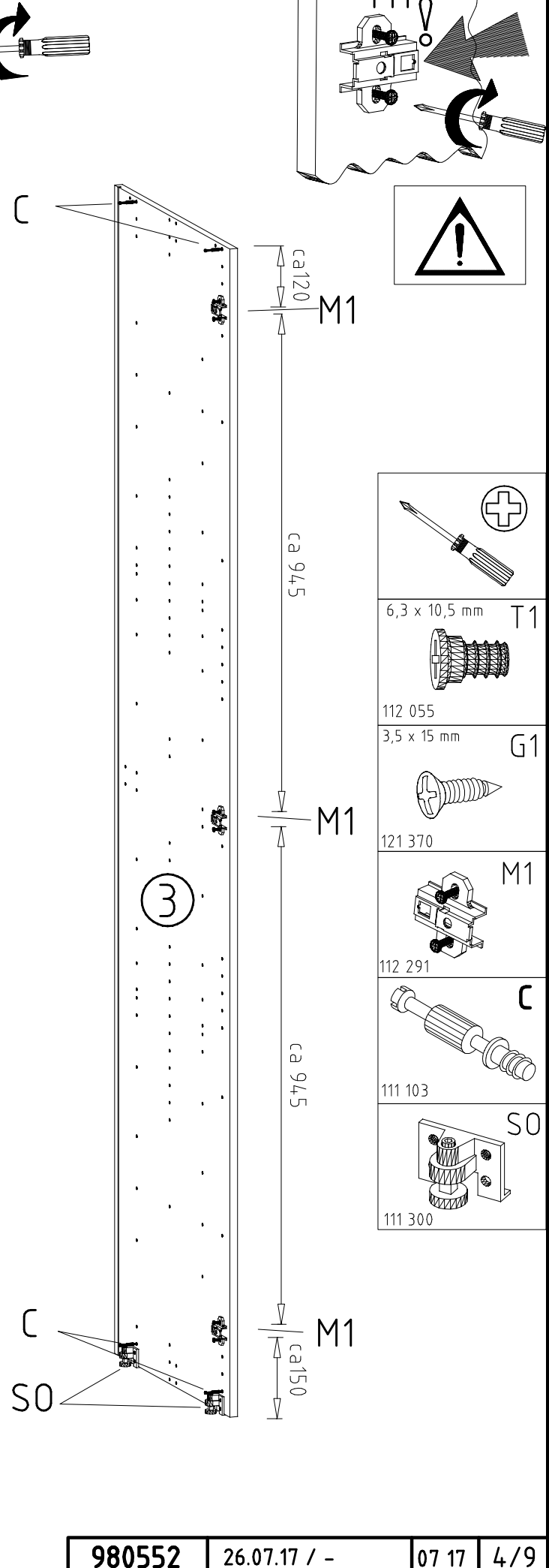
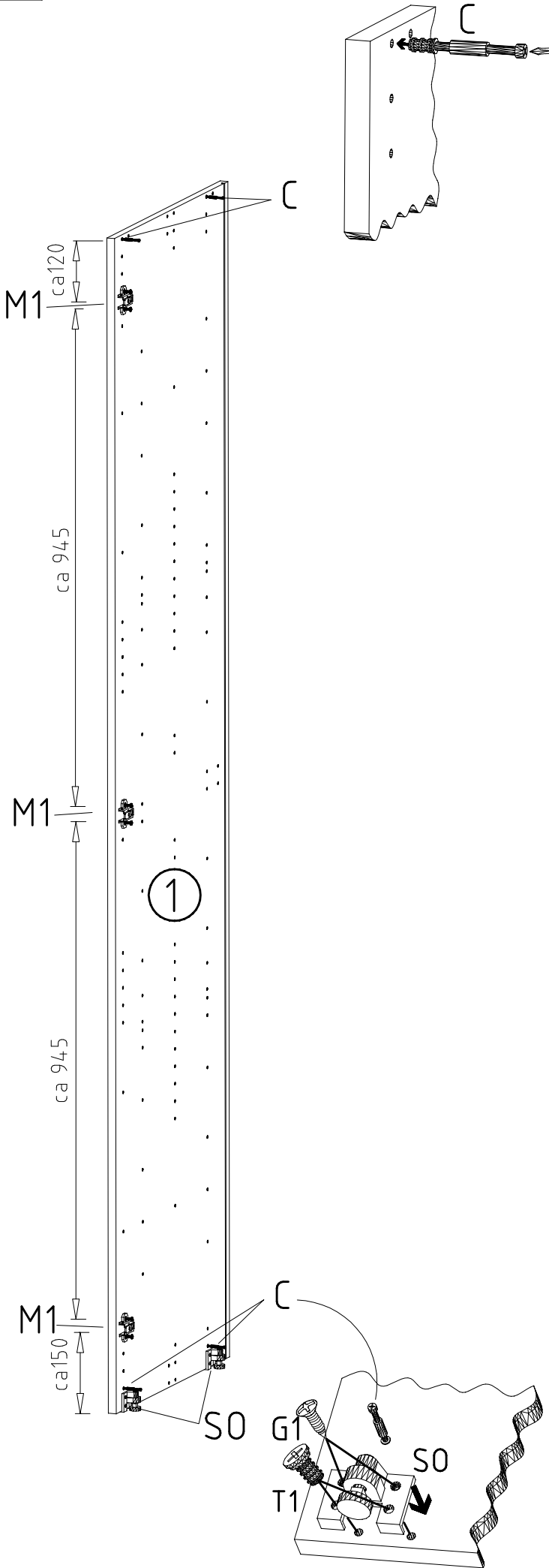


2



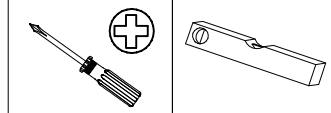
3



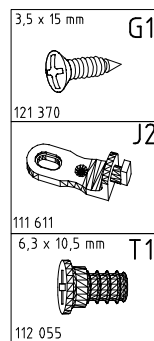
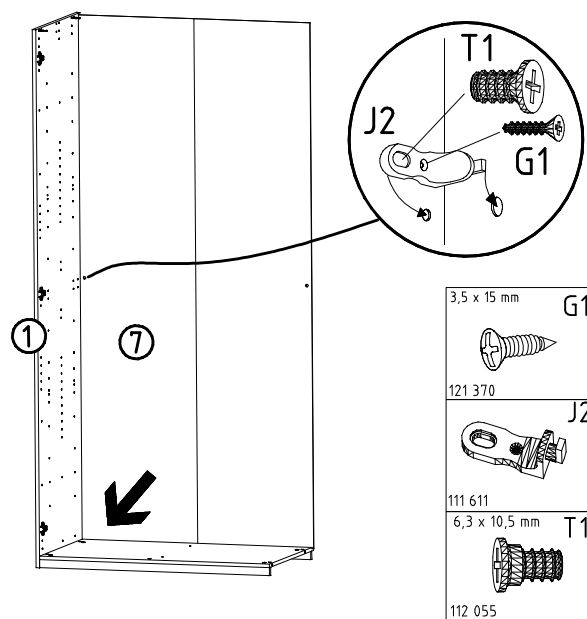
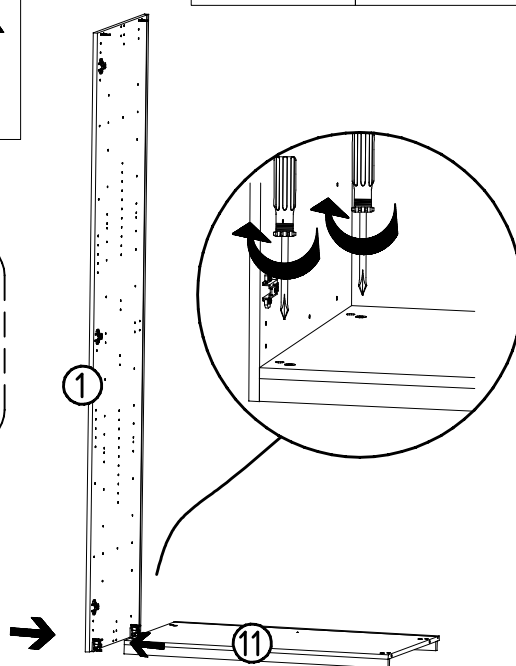
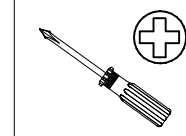


- | | |
|---------------|---------|
| | |
| 6,3 x 10,5 mm | T1 |
| | 112 055 |
| 3,5 x 15 mm | G1 |
| | 121 370 |
| | M1 |
| 112 291 | |
| | C |
| 111 103 | |
| | SO |
| 111 300 | |

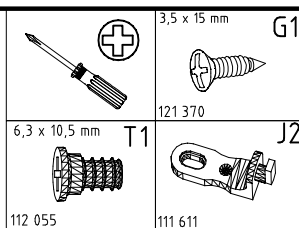
5



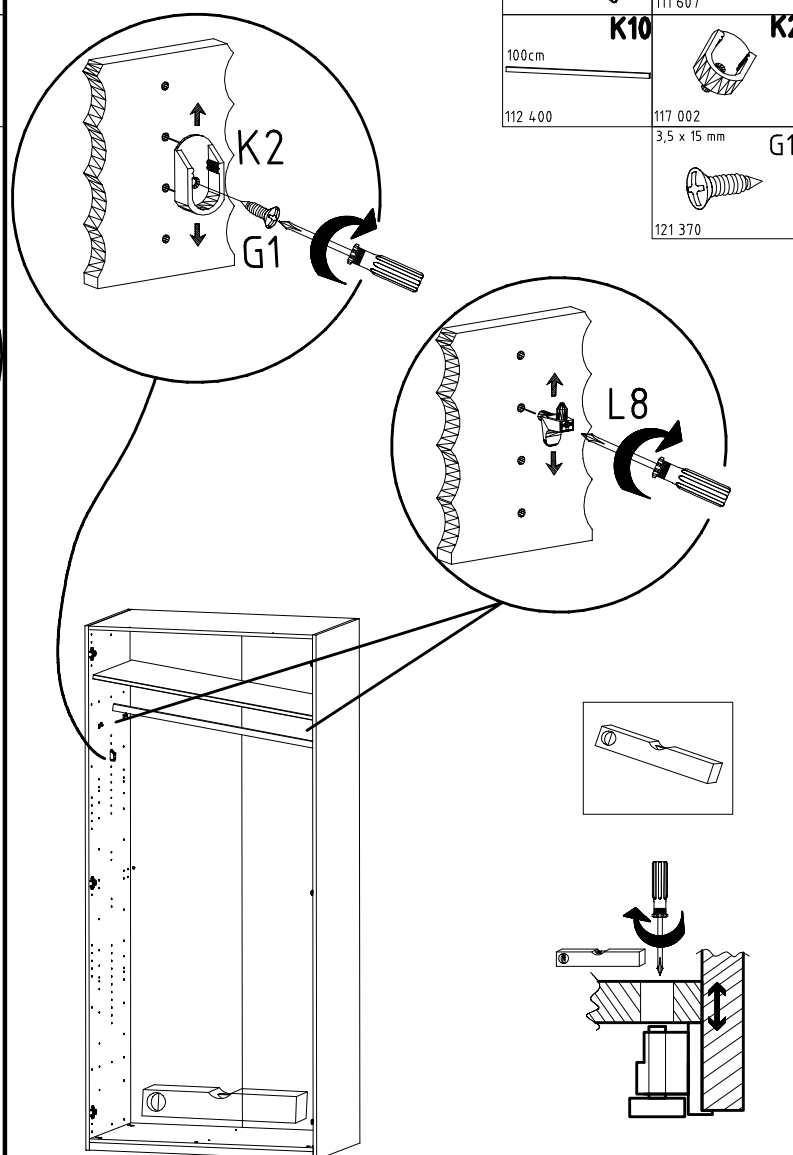
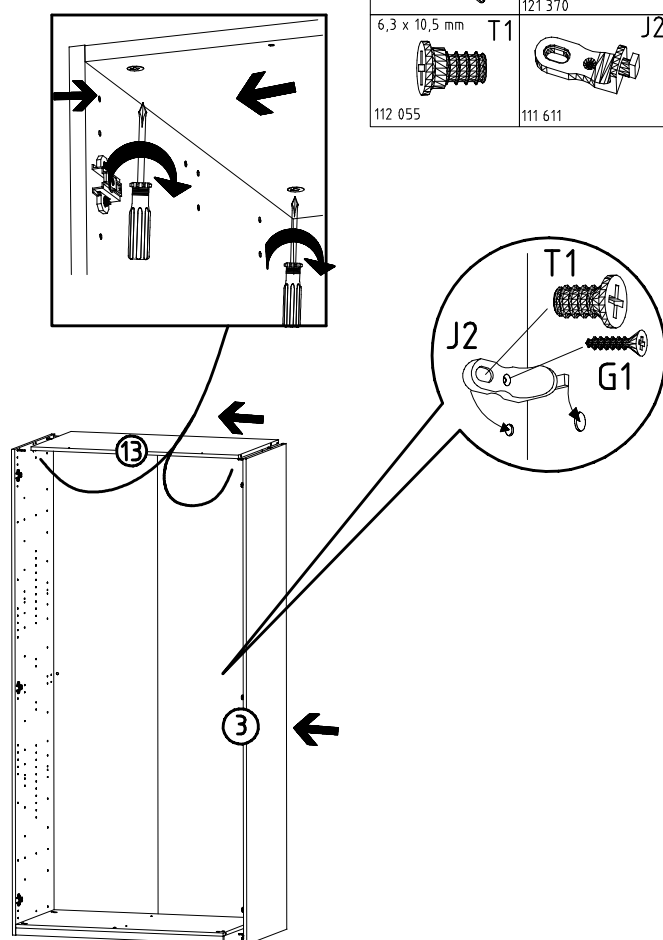
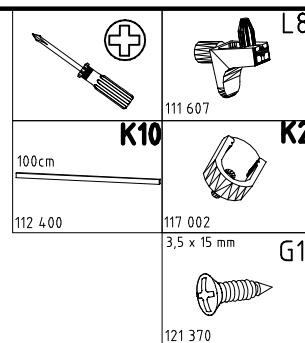
6



7



8



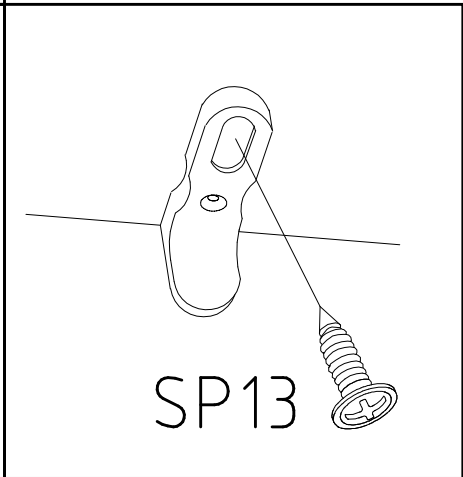
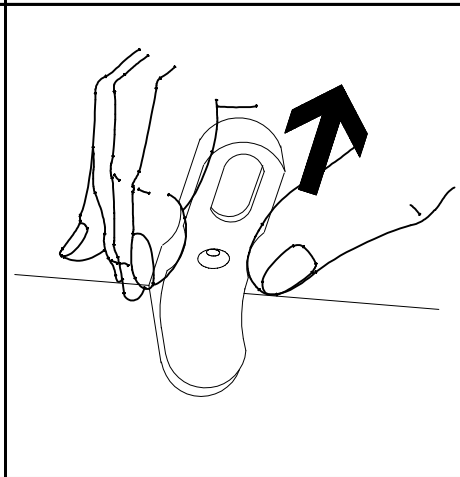
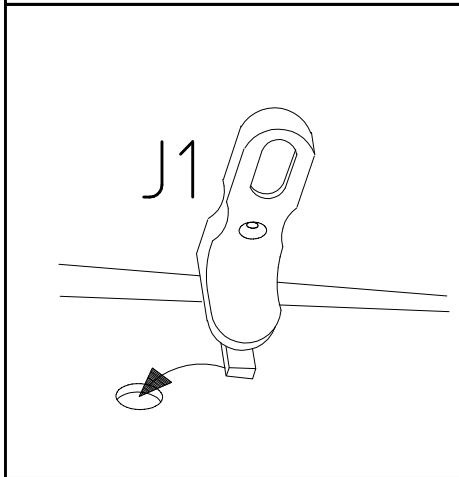
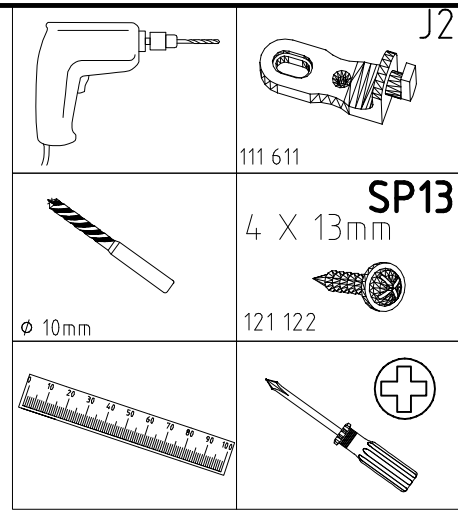
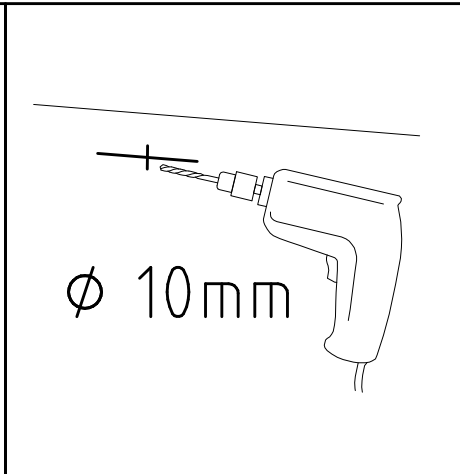
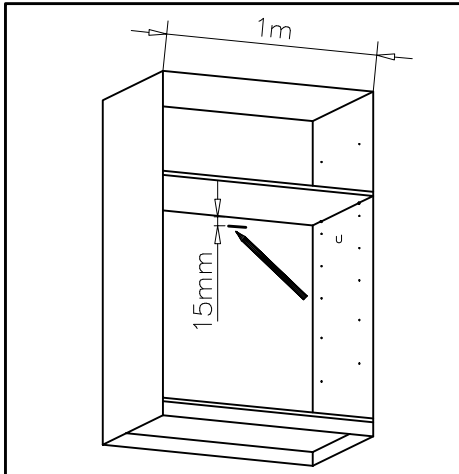
980552

26.07.17 / -

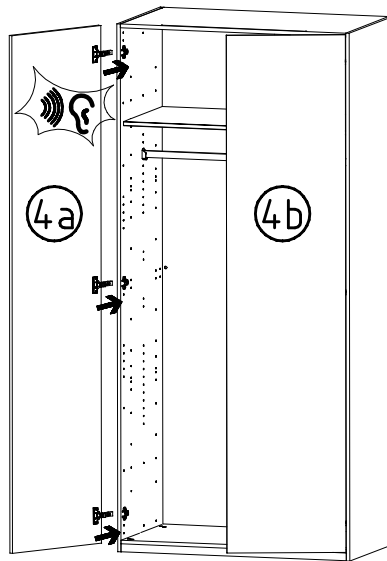
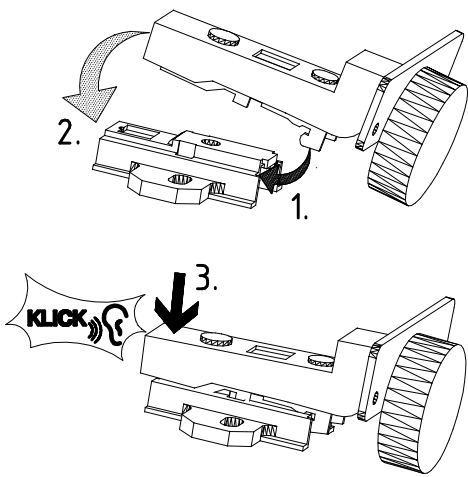
07 17

5/9

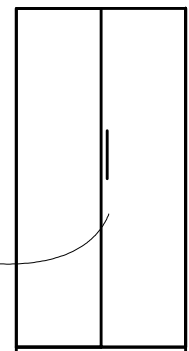
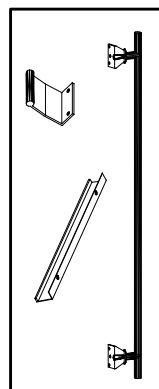
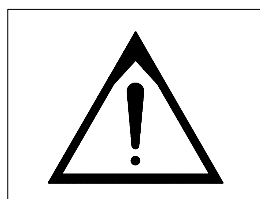
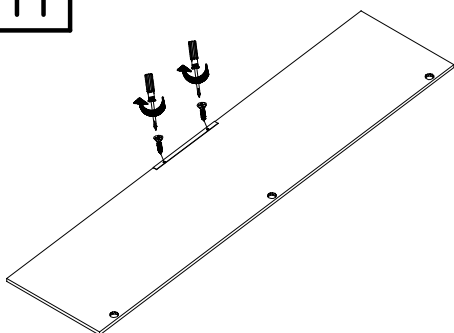
9



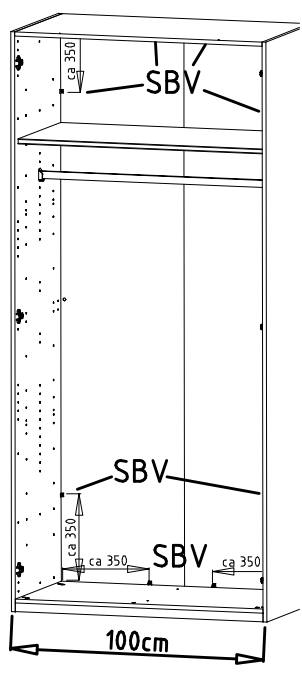
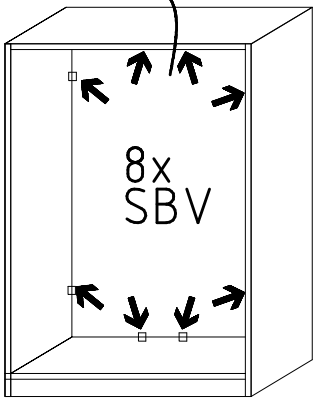
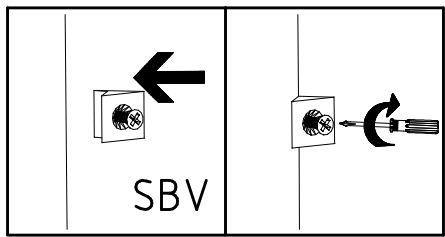
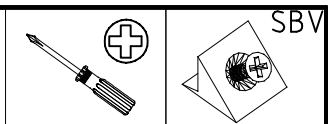
10



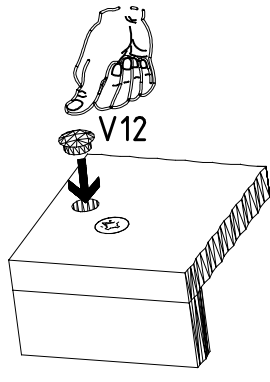
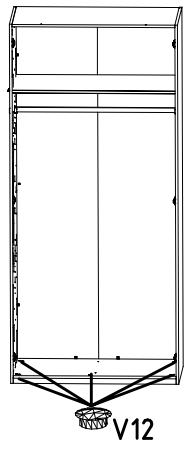
11



12



13



14

