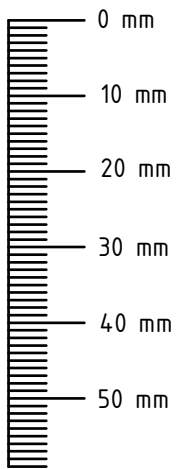
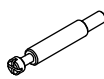
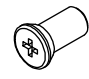

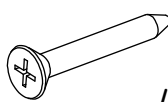
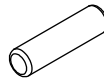
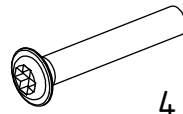

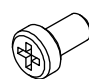
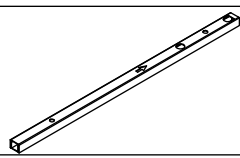
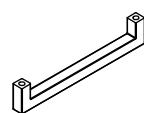
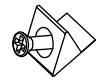
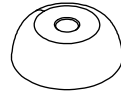
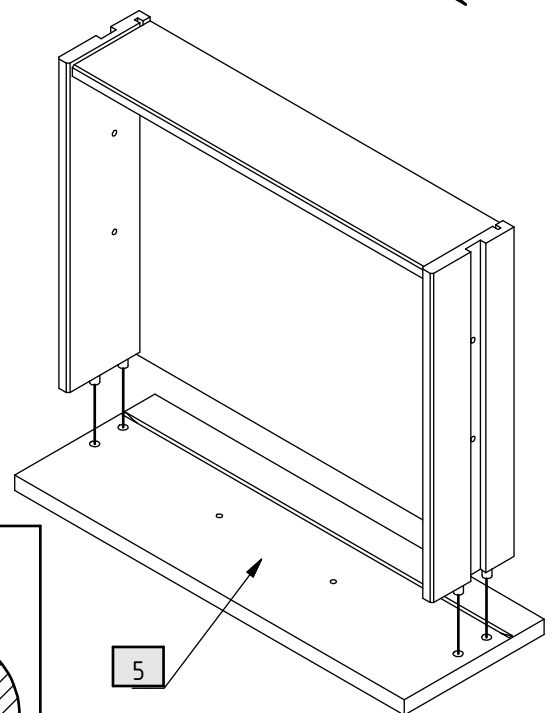
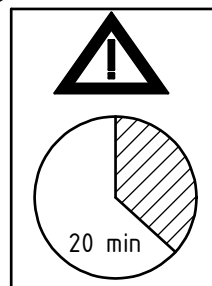
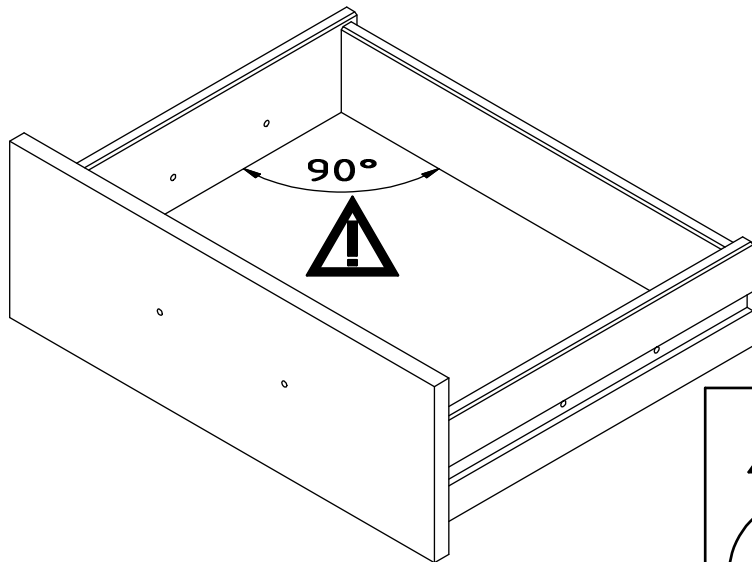
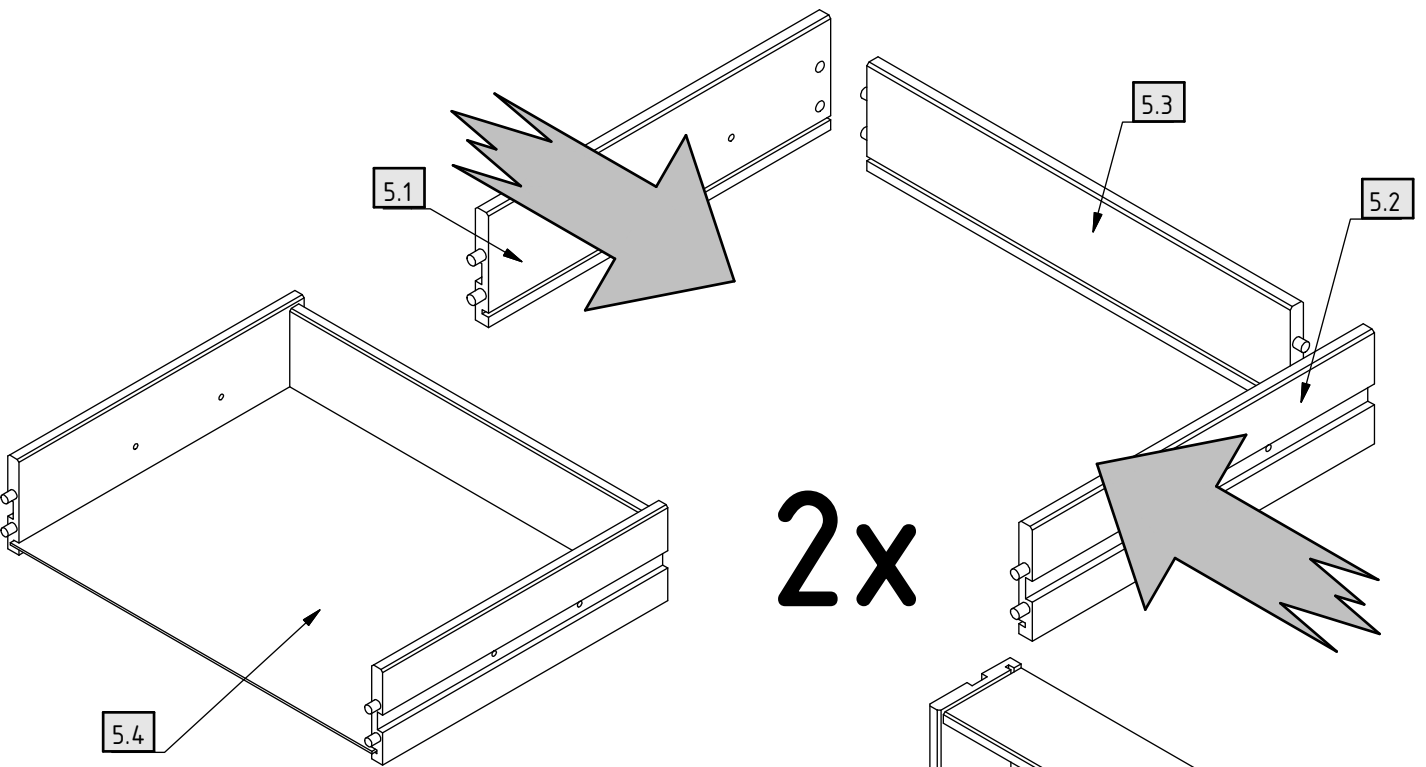
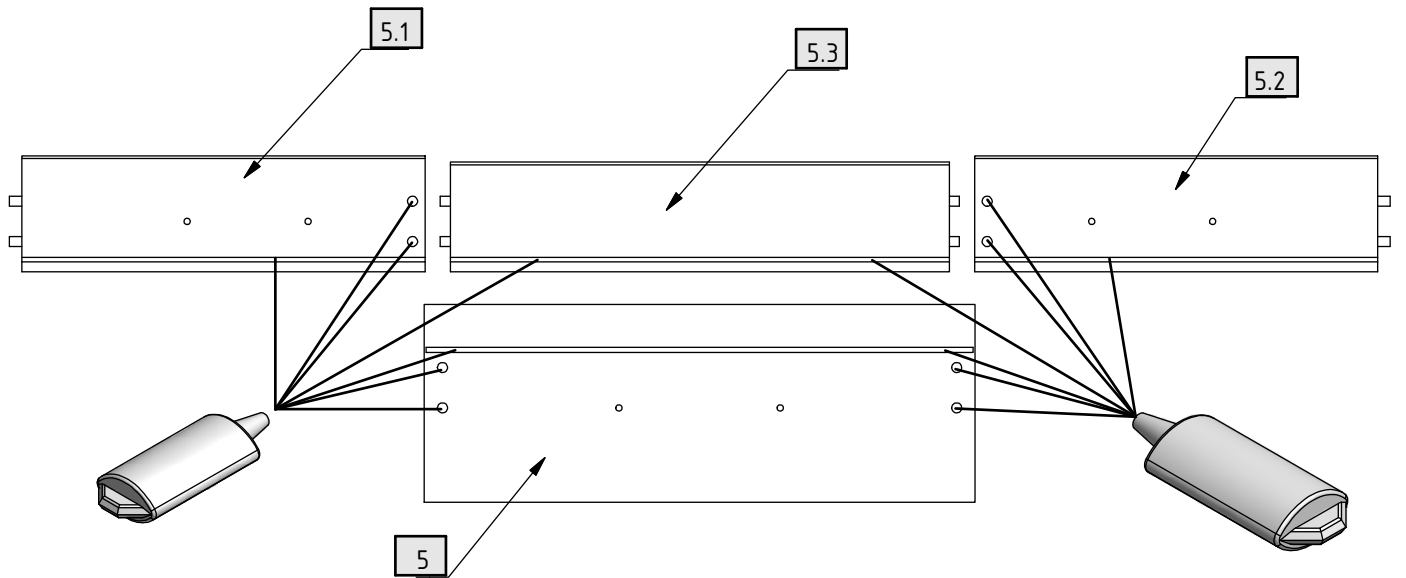


5 + 5.1 + 5.2 + 5.3 + 5.4
2x

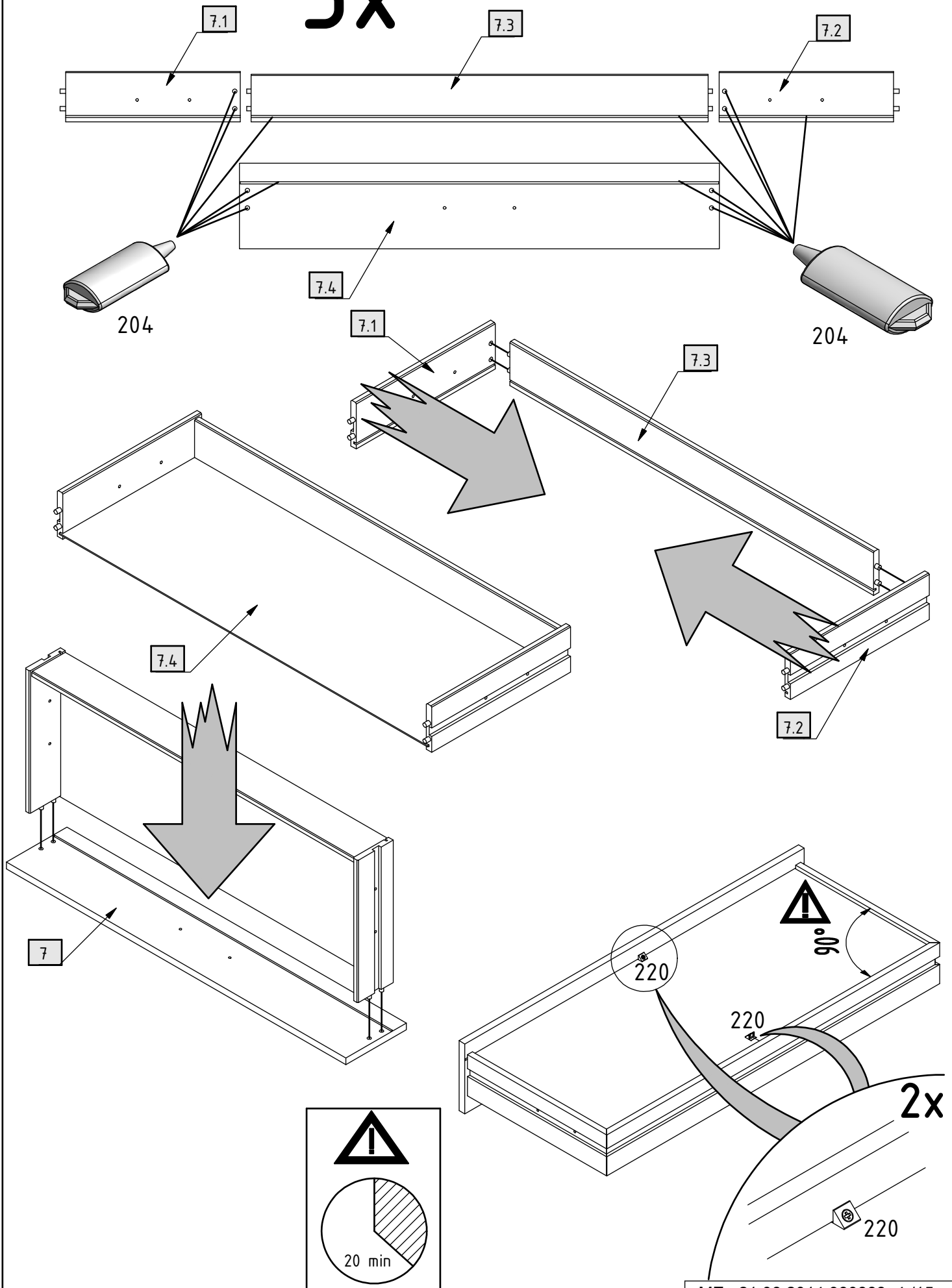
7 + 7.1 + 7.2 + 7.3 + 7.4
5x



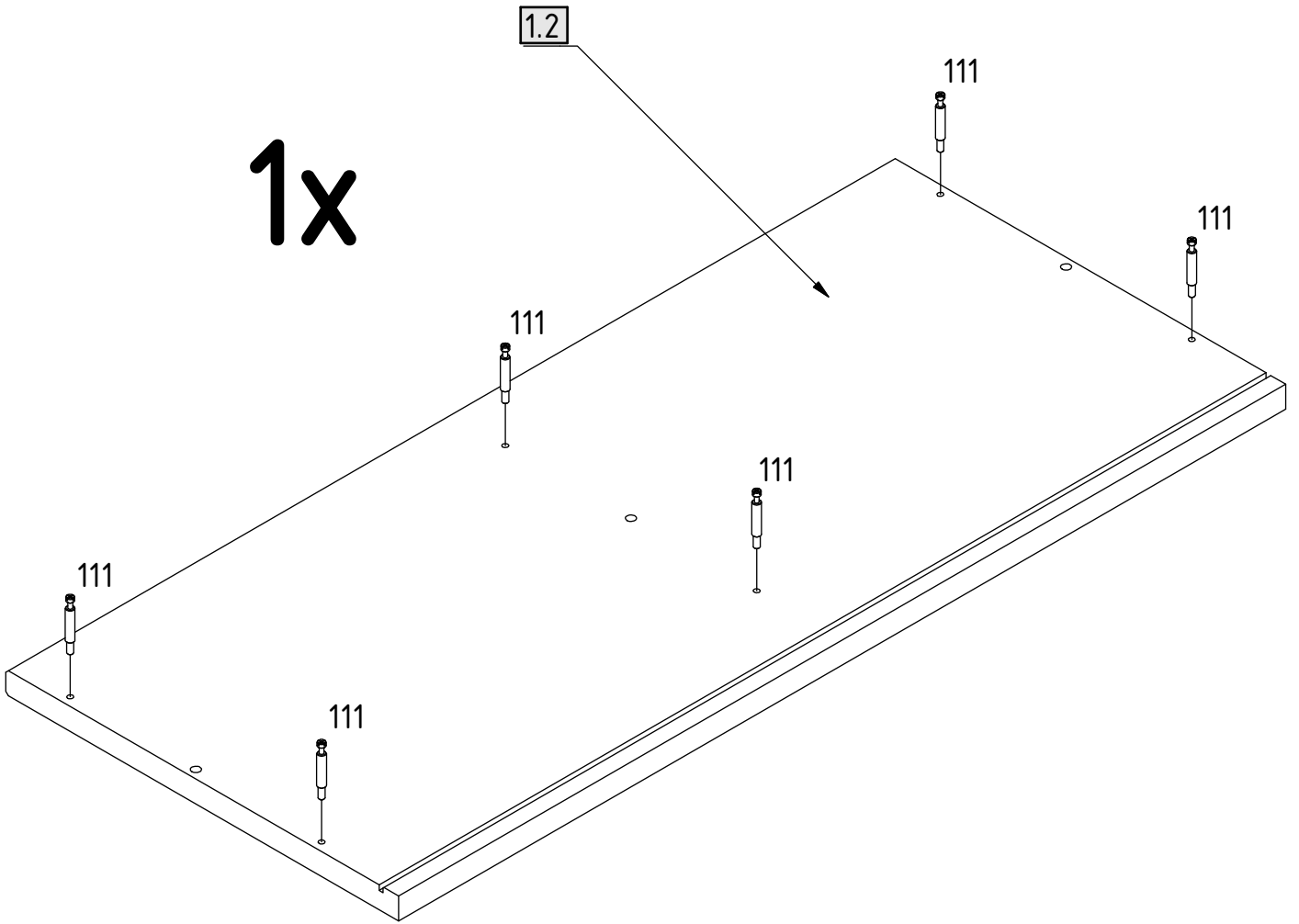
111	10		305	28	 6 x 9 mm
120	10		352	4	 4 x 20 mm
190	5	 Ø8 x 30 mm	377	14	 4 x 25 mm
204	5		408	14	 M4 x 9 mm
215	14		503	7	
220	14		737	4	

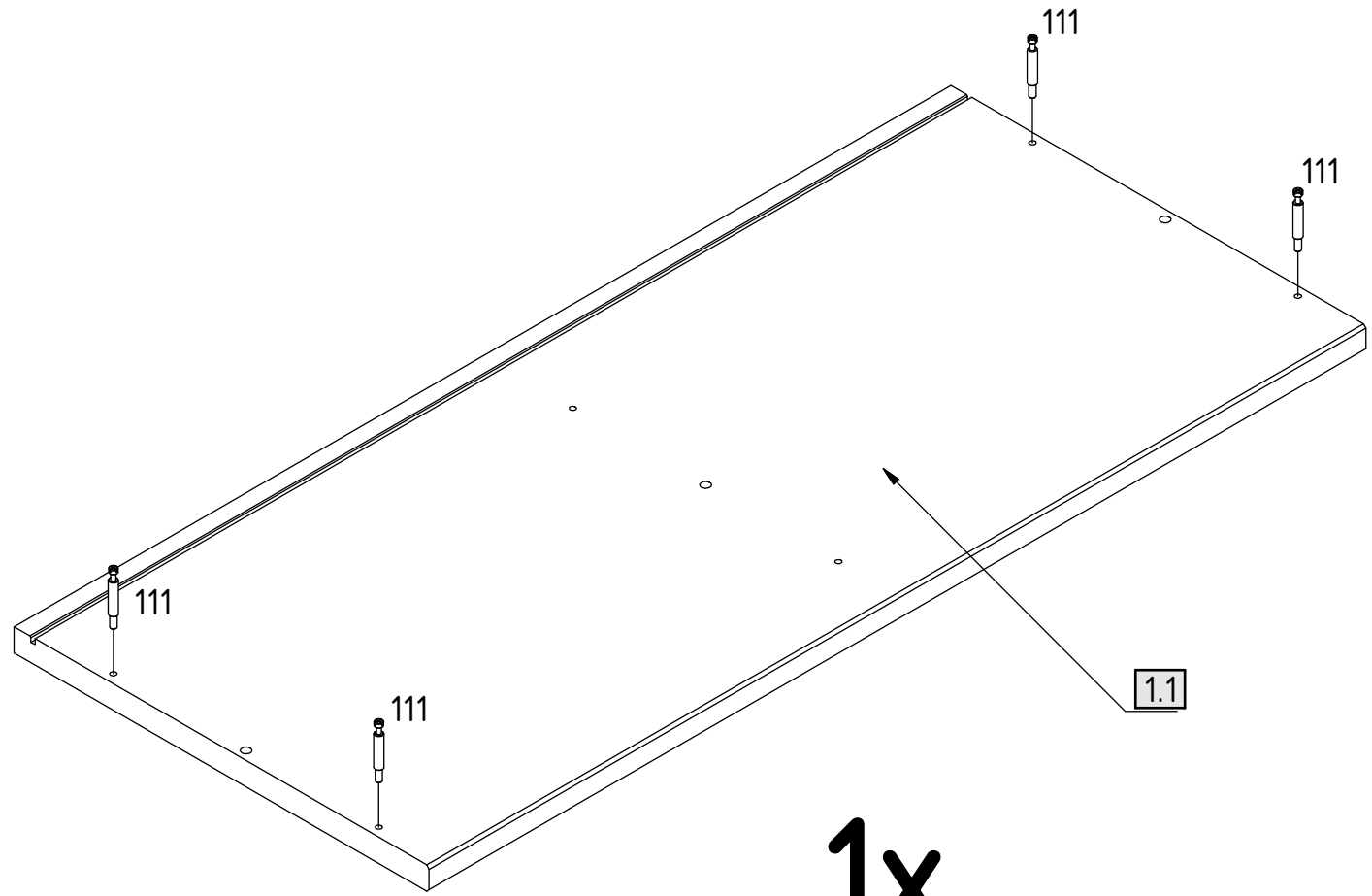
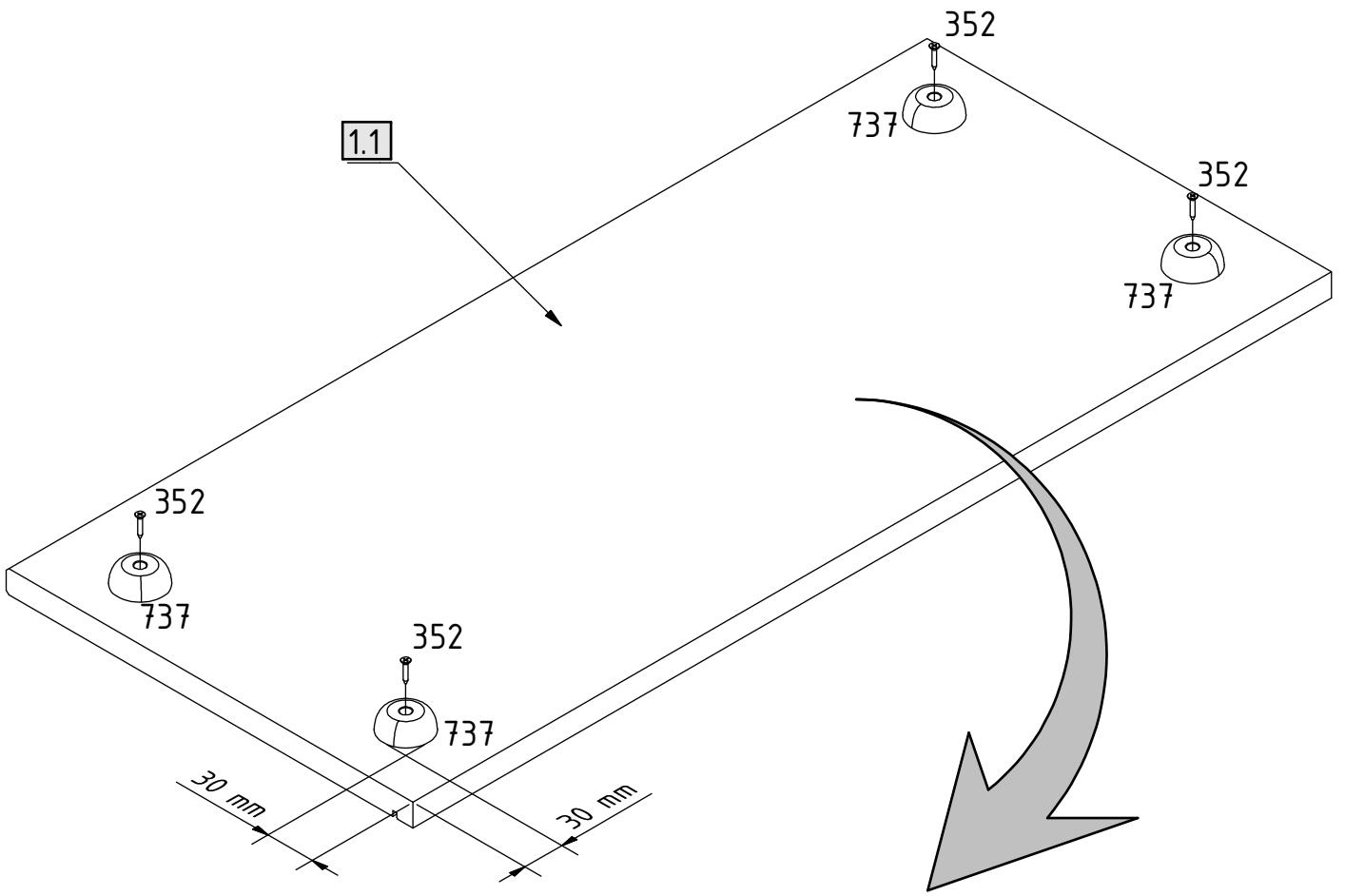


5x



1x





1x



2

ca. 90 mm

190

120

120

305

215

215

305

215

215

215

215

120

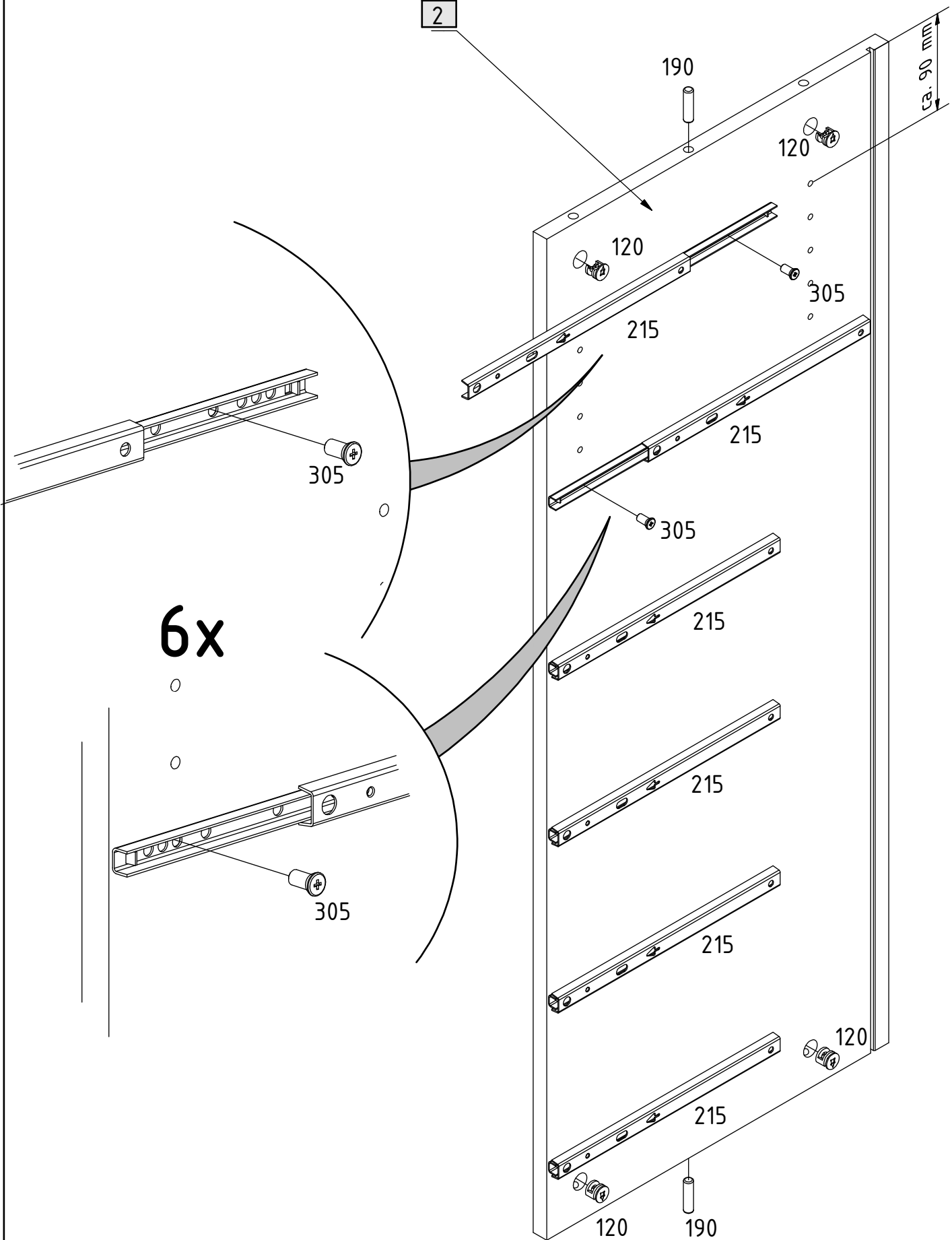
120

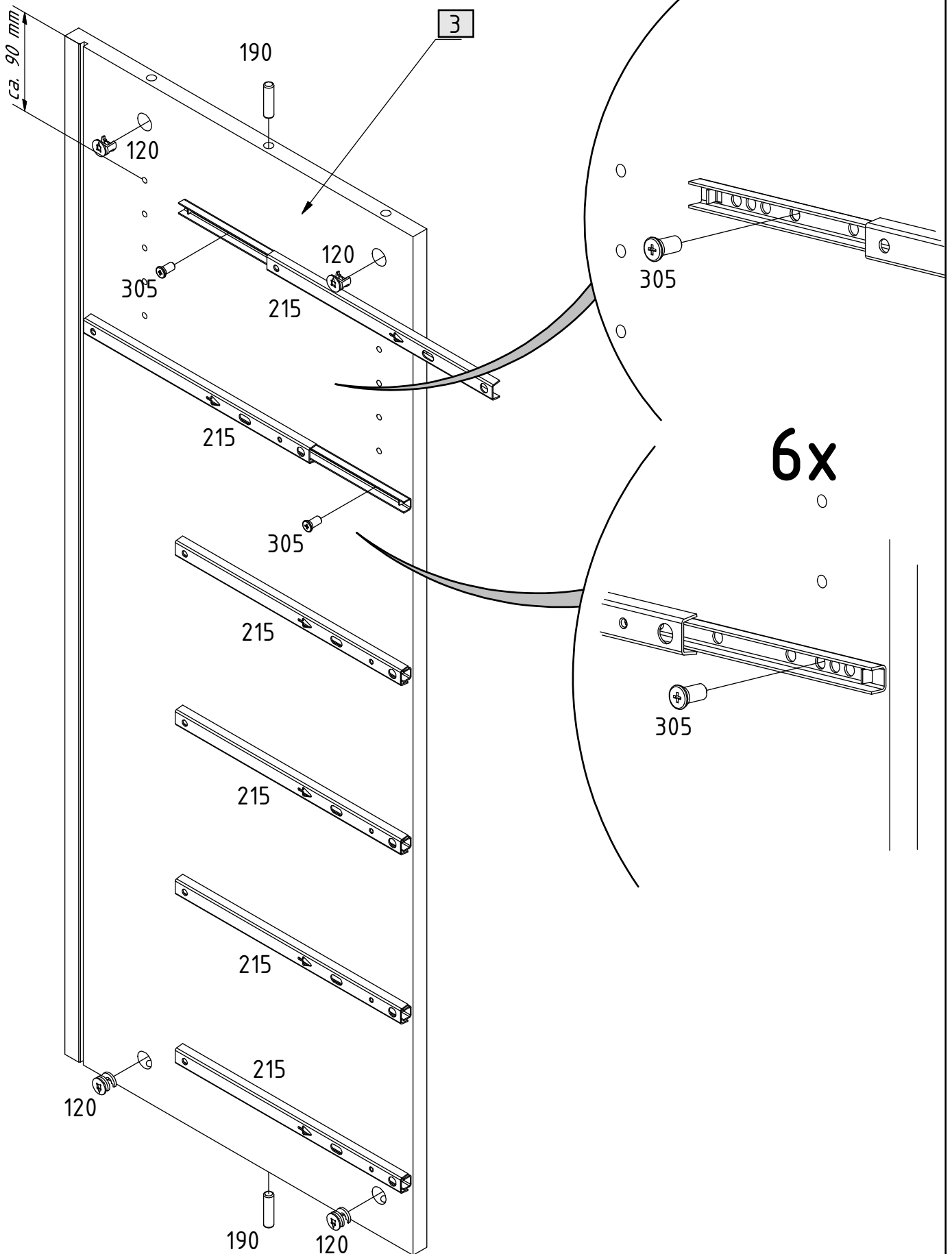
190

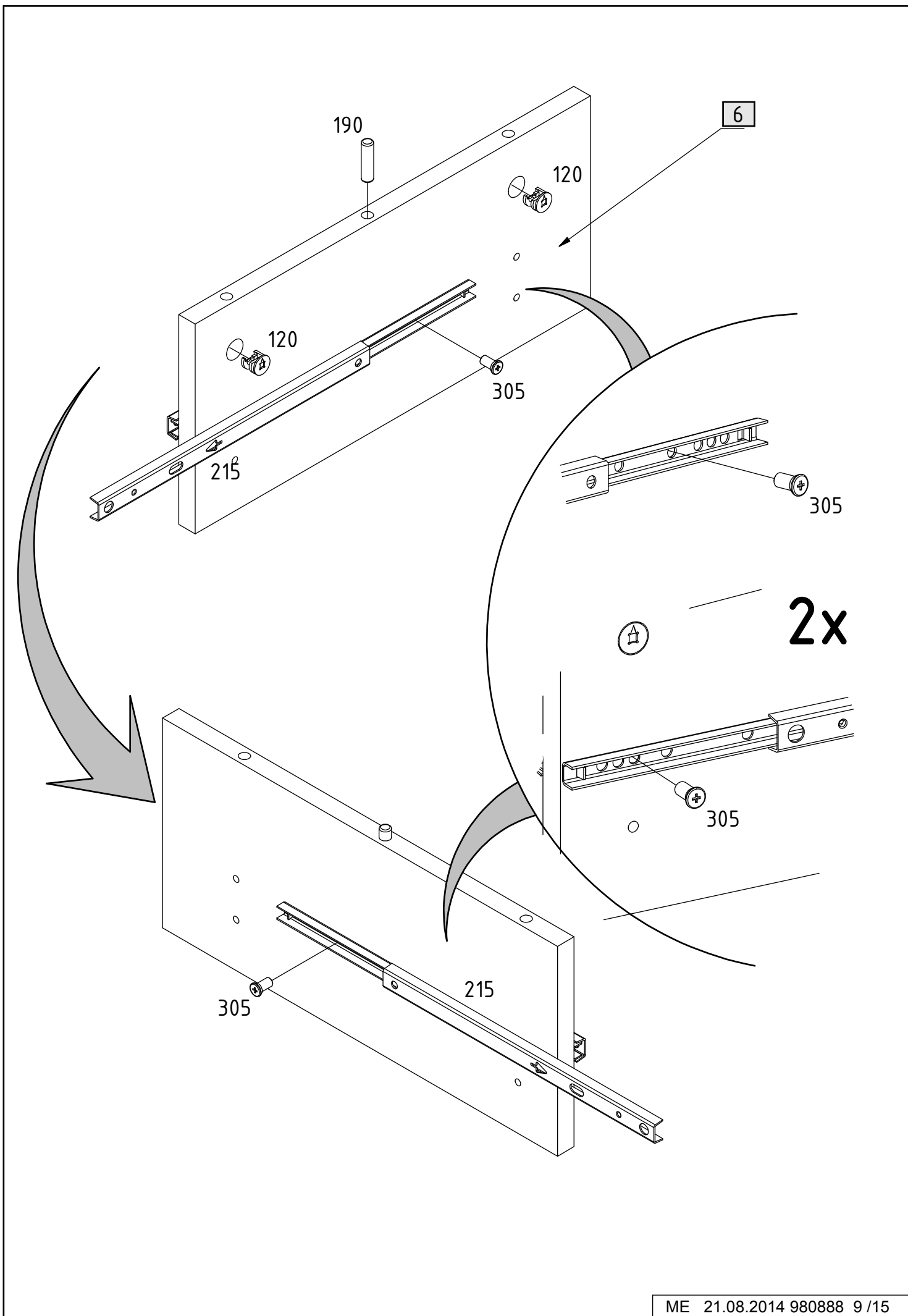
305

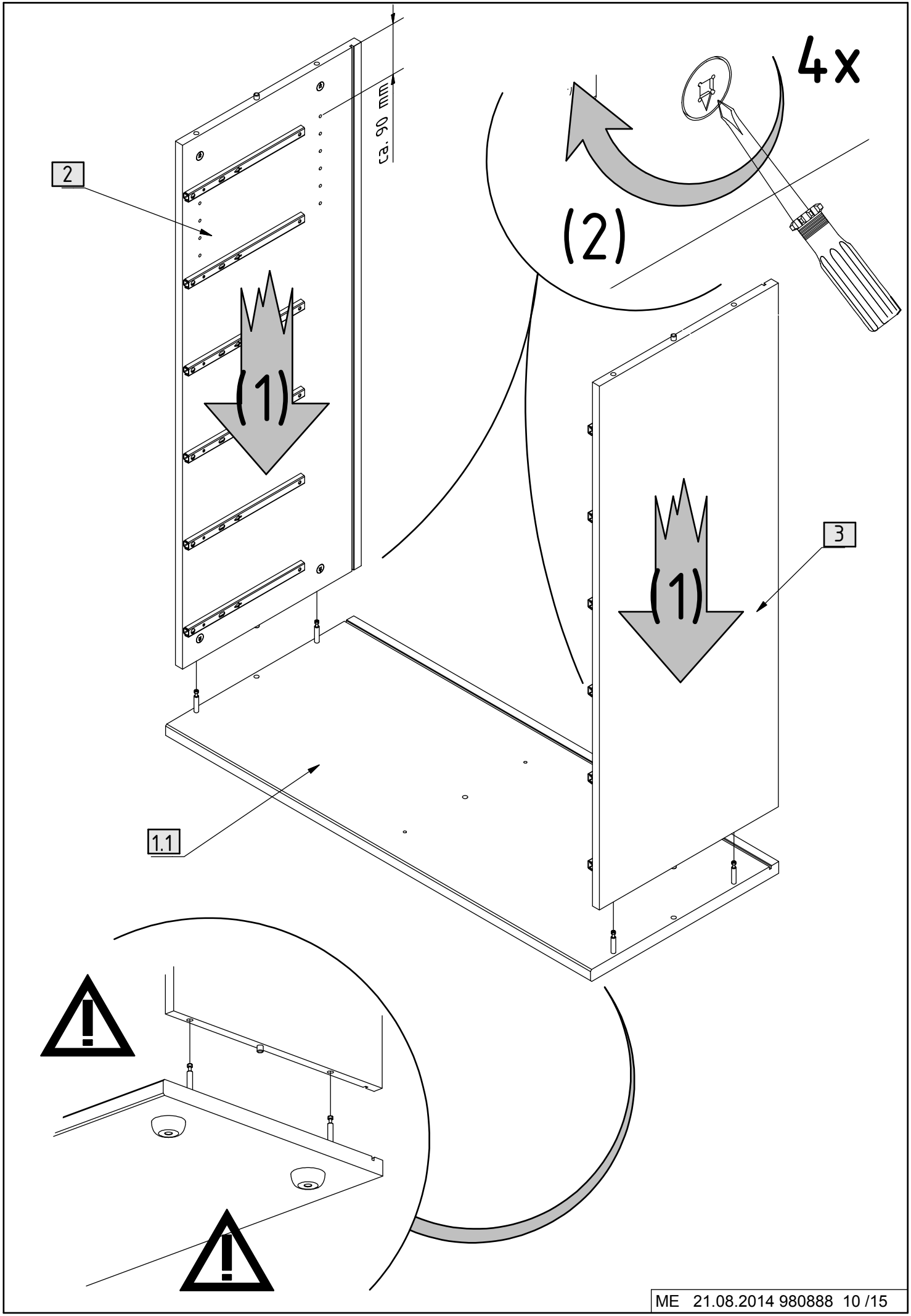
6x

305









2

ca. 90 mm

(1)

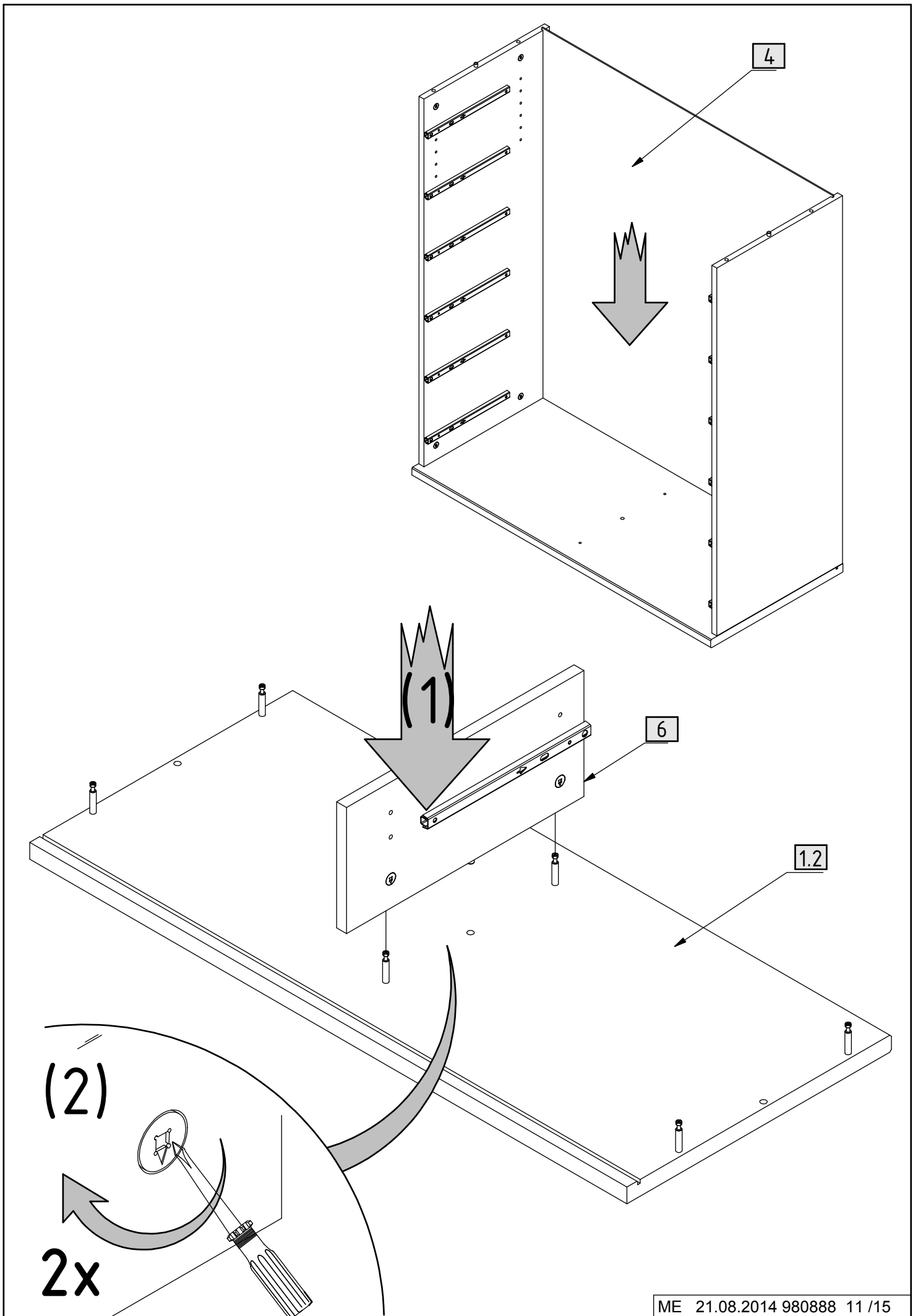
(2)

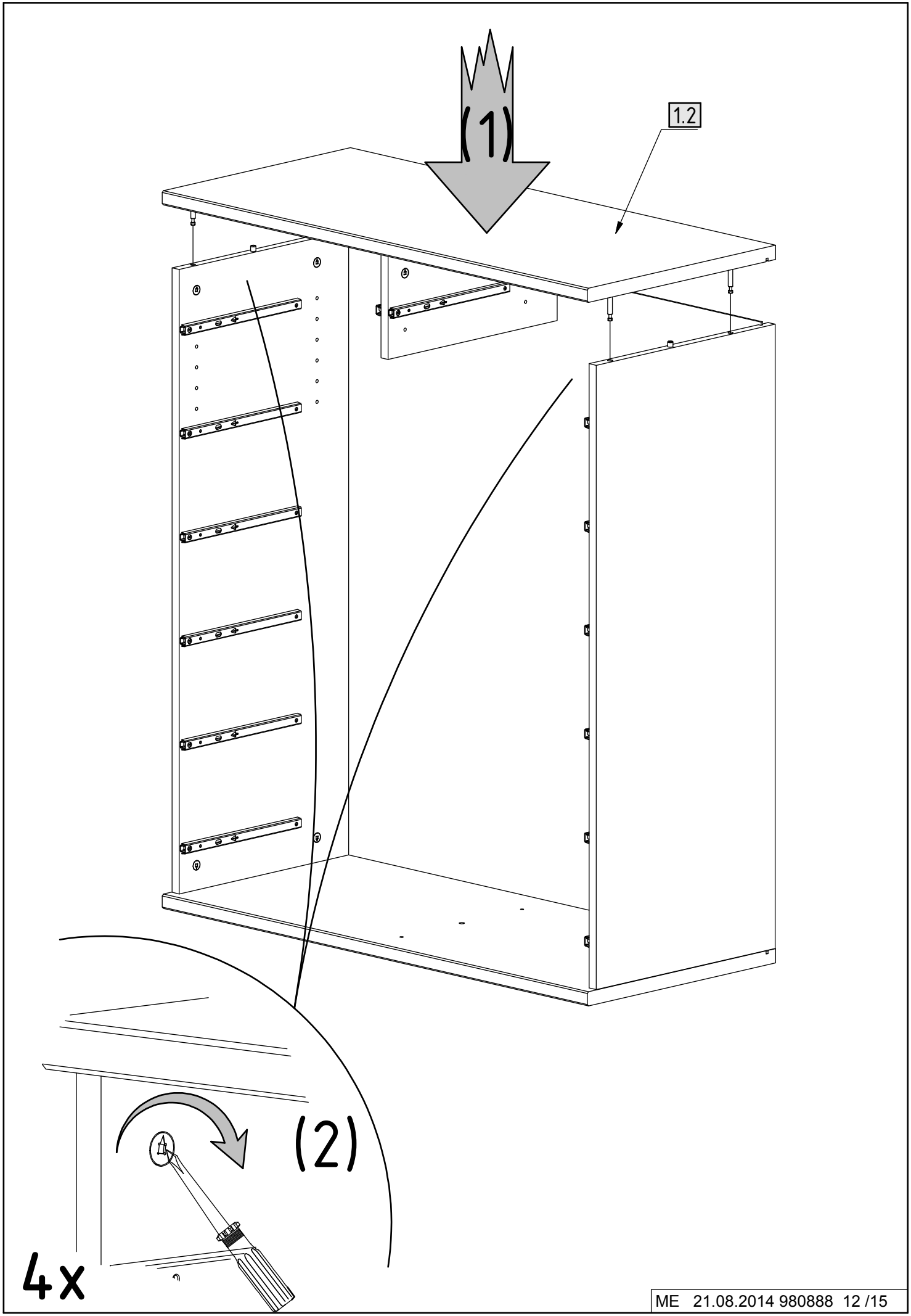
4x

3

1.1





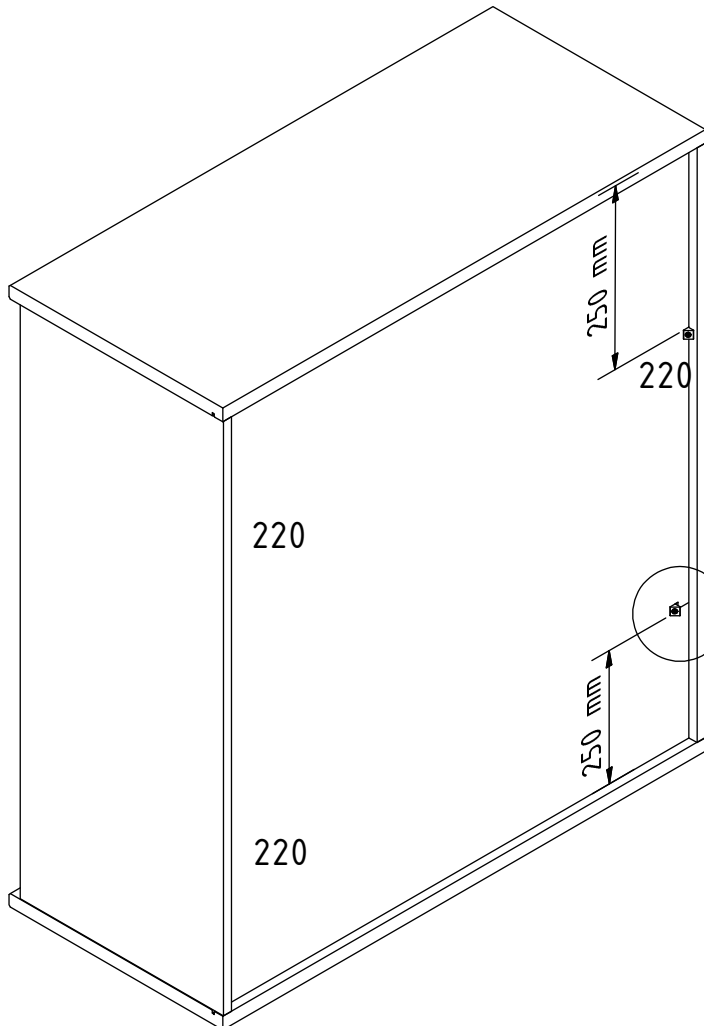
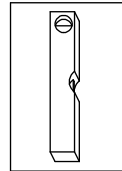
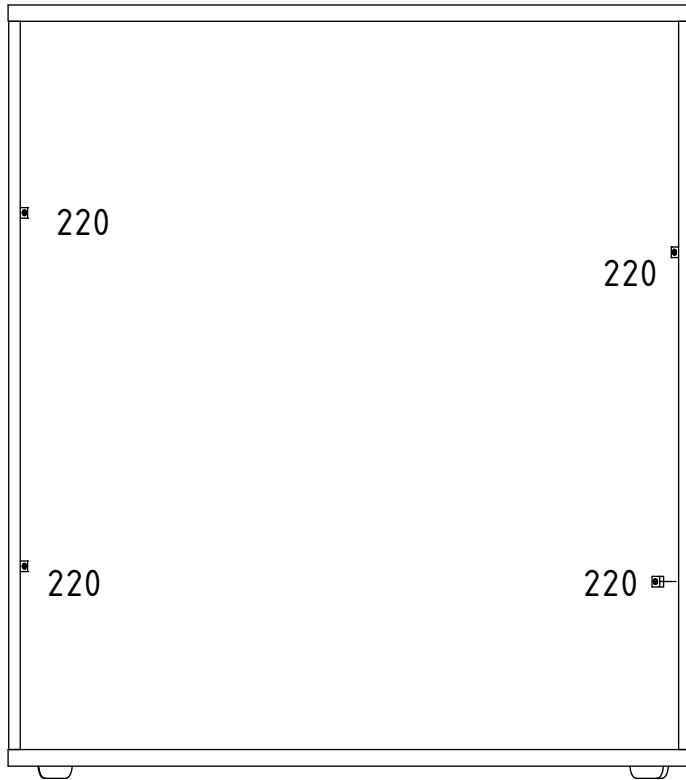
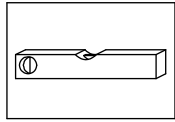


(1)

1.2

(2)

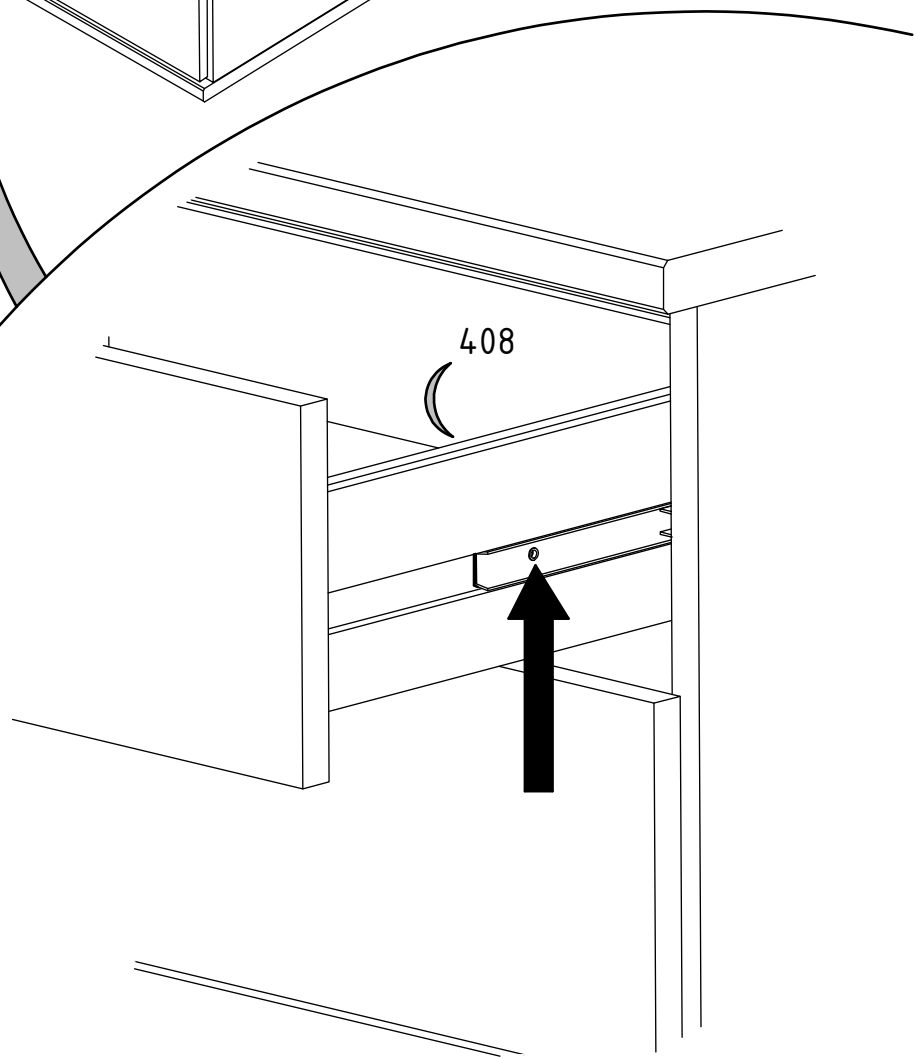
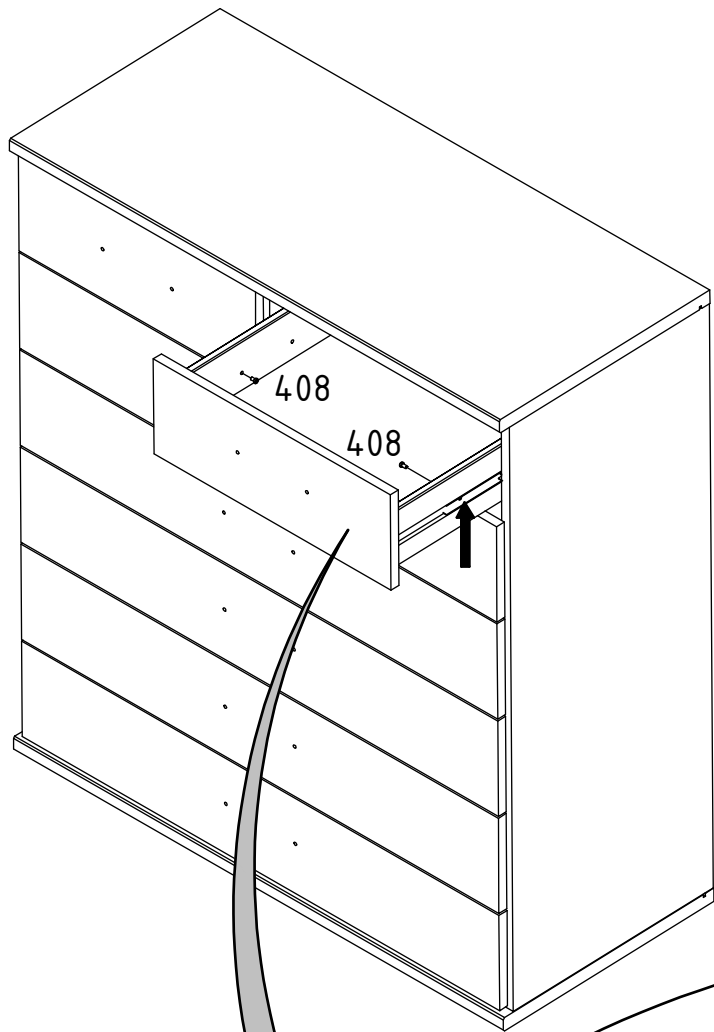
4x



4x



220



7x

7x

