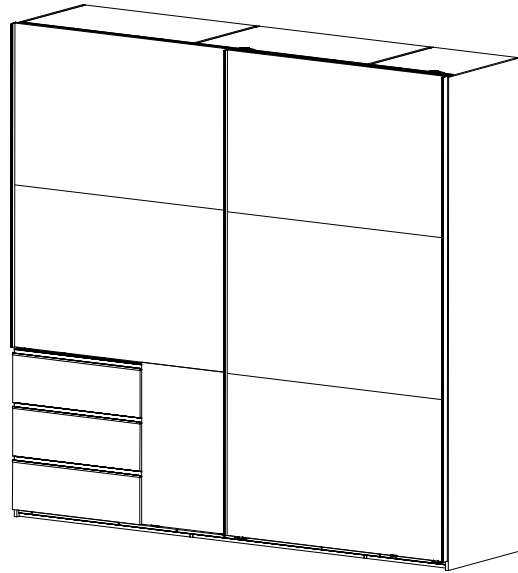
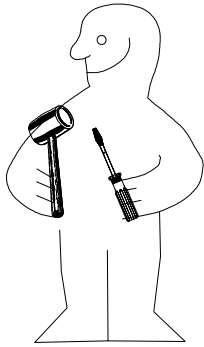
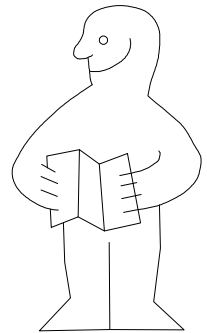
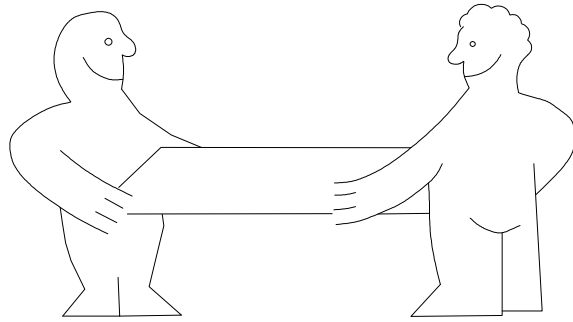
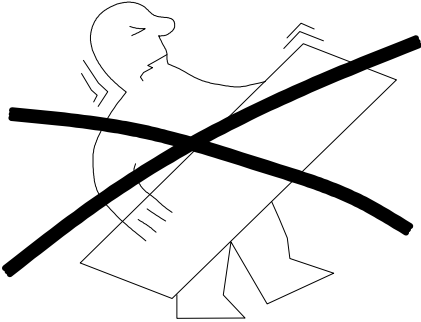




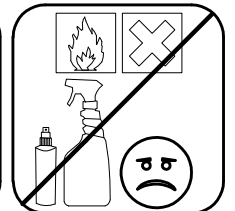
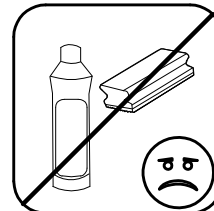
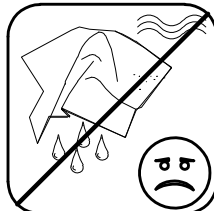
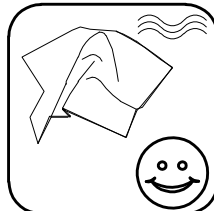
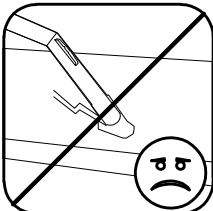
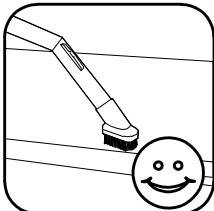
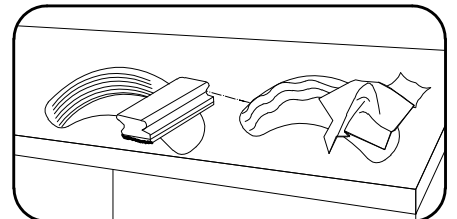
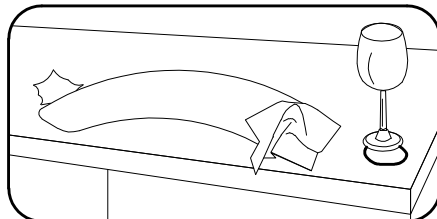
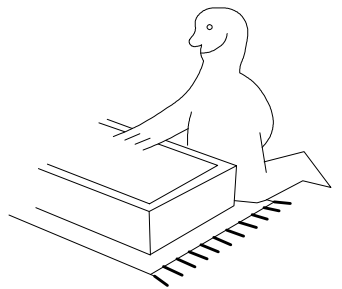
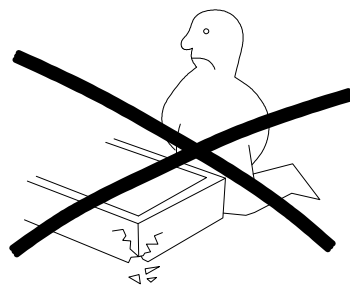
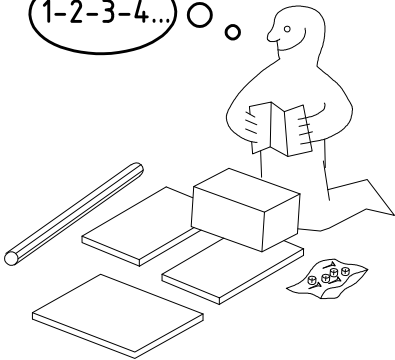
980791



SHSP 250 ASK






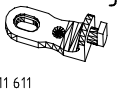
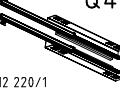
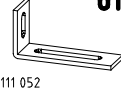
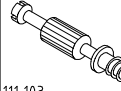


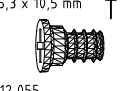
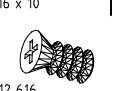

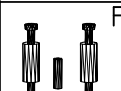
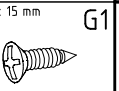
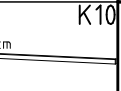

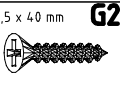
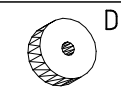
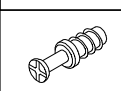

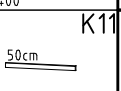

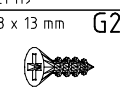
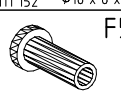
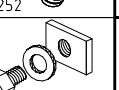
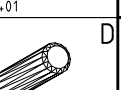

1-2-3-4... ○



980791

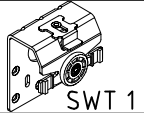
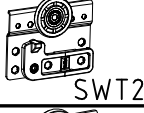
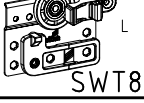
06.04.17 / 19.05.17

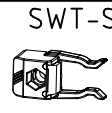
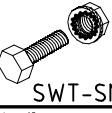
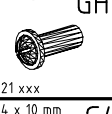

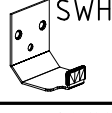
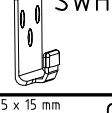
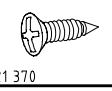
05 17 | 1/23

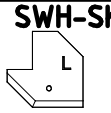

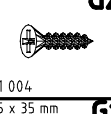
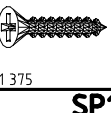

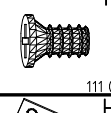
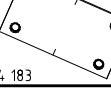
 A1 111 xxx	24x	 S0 111 300	14x	 K2 117 002	6x	 J2 111 611	14x	 Q45 112 220/1	3x	 o10 111 052	1x
 C 111 103	8x	 V12 111 xxx φ12	14x	 SBV	26x	 T1 6,3 x 10,5 mm	36x	 T3 M6 x 10	6x	 SP13 4 X 13mm	3x
 F3	8x	 G1 121 370 3,5 x 15 mm	46x	 K10 100cm	2x	 L8 112 055	24x	 G25 3,5 x 40 mm	7x	 D8 111 152 φ18 x 8 x 4	6x
 F 111 229	4x	 VB23 111 252	4x	 K11 50cm	1x	 Z 111 607	2x	 G21 3 x 13 mm	12x	 F5 111 xxx φ5 x 15 x M4	6x
		 SWT-STK	1x	 D 353 018 φ8 x 30	2x					 MS 14 121 010 M4 x 14	6x

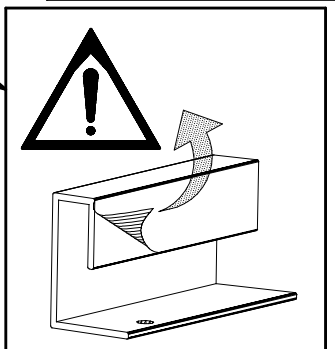
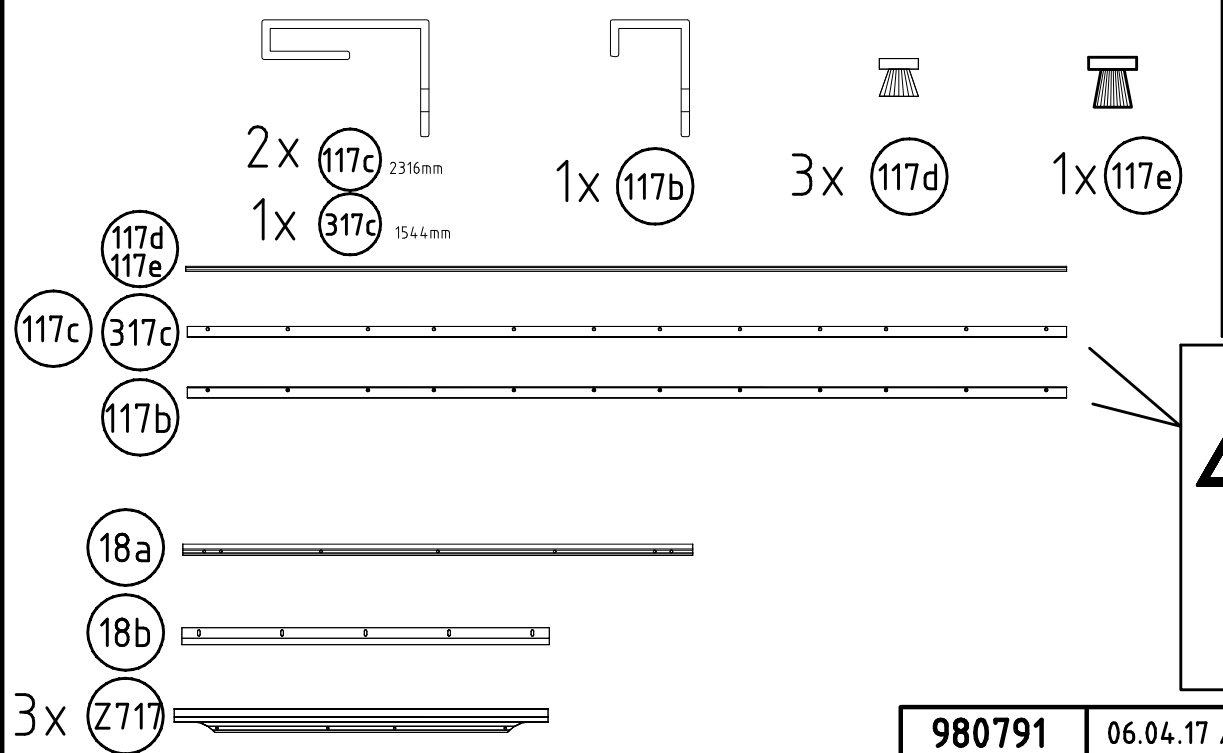
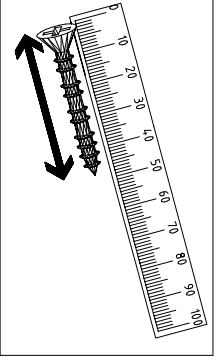
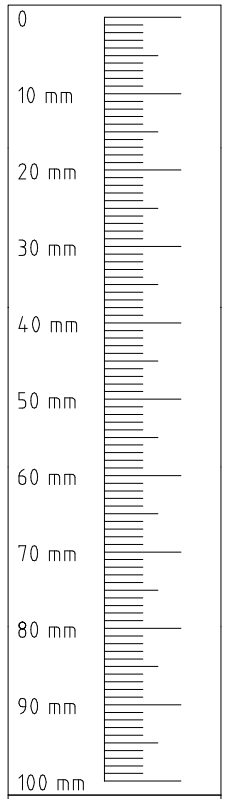
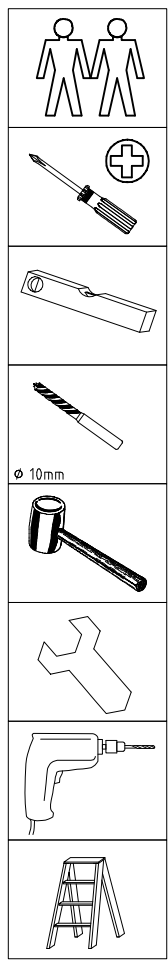
1x **FPK**
1453/1940/2430/2920/3408
MST

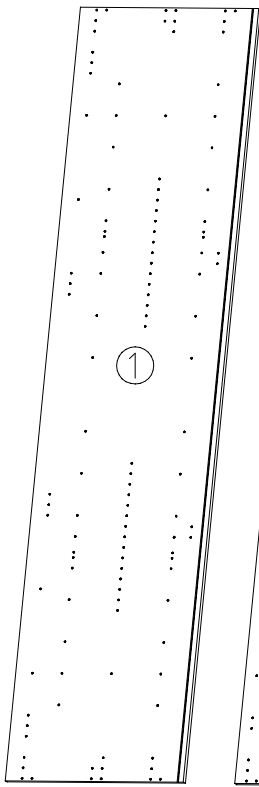
1x **SWT-LP**
1453/1940/2430/2920/3410 SY

 SWT 1	2x
 SWT 2	1x
 SWT 8	1x

 SWT-ST	2x
 SWT-SM5 M4 x 13 mm	2x
 GH13 121 xxx	6x
 G43 M4 x 10 mm	6x
 SWH 6	2x
 SWH 7	2x
 G1 121 370 3,5 x 15 mm	1x

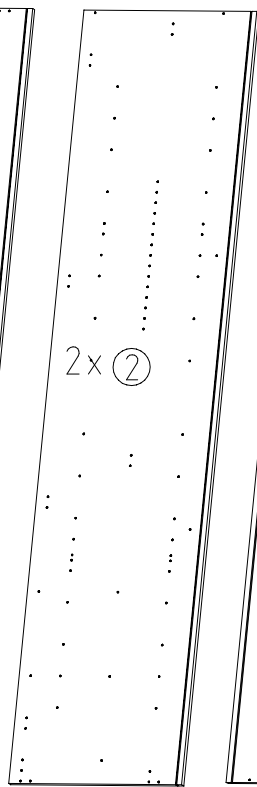
 SWH-SKL L	1x
 SWH-SKR R	1x
 G24 3,5 x 22 mm	7x
 G14 121 004 3,5 x 35 mm	2x
 SP13 4 X 13mm	73x
 T2 121 122 6,3 x 10,5 mm	24x
 H5 114 183	5x





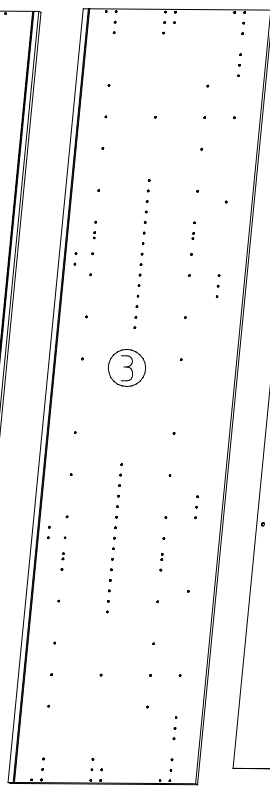
①

2352x577x15



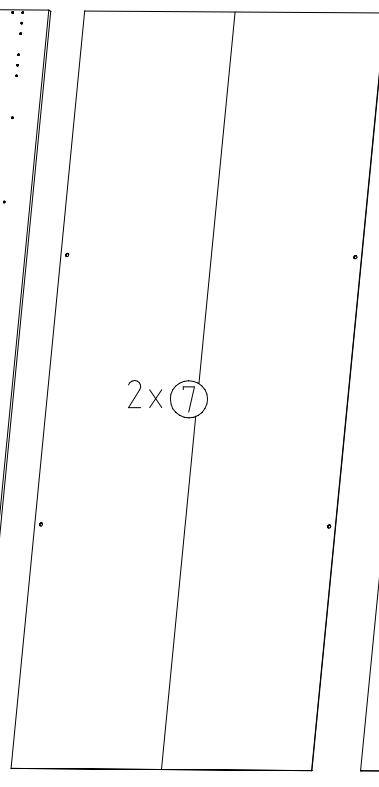
2x ②

2352x560x15



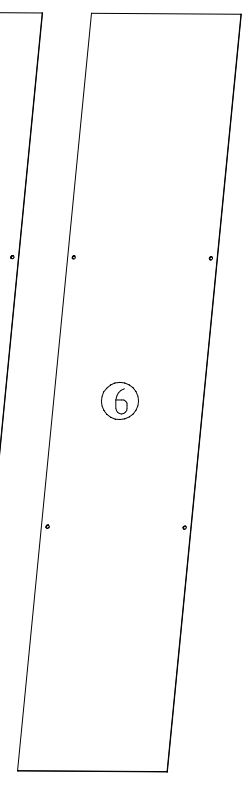
③

2352x607x15



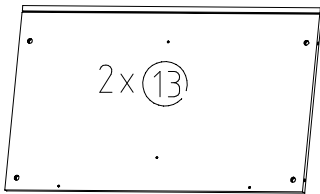
2x ⑦

2303x973x2,5



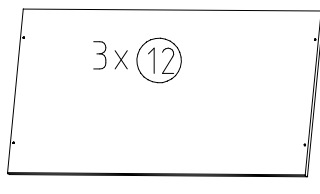
⑥

2303x484x2,5



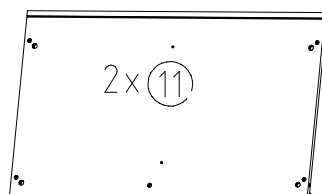
2x ⑬

964x560x15



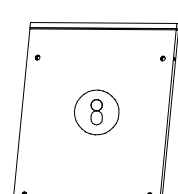
3x ⑫

964x500x18



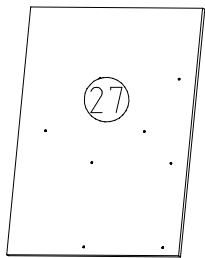
2x ⑪

964x560x47



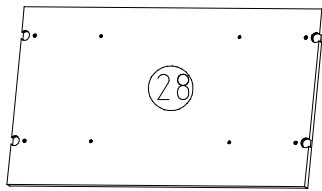
⑧

475x560x15



⑳

753x557x15



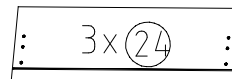
⑳

964x540x22



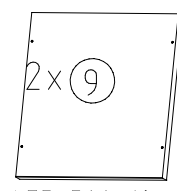
⑳

250x500x18



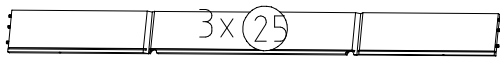
3x ⑳

717x227x15



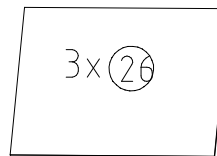
2x ⑨

475x500x18



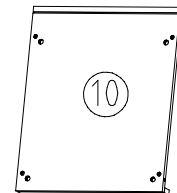
3x ⑳

450/675/450x126x12



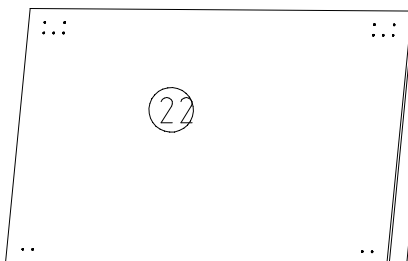
3x ⑳

661x449x2,5



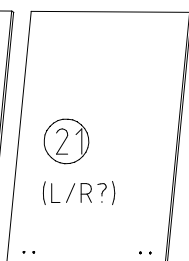
⑩

475x560x47



⑳

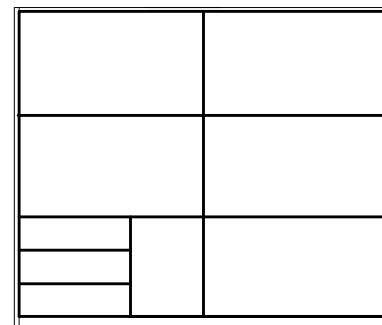
5x 1235x772x15



⑳

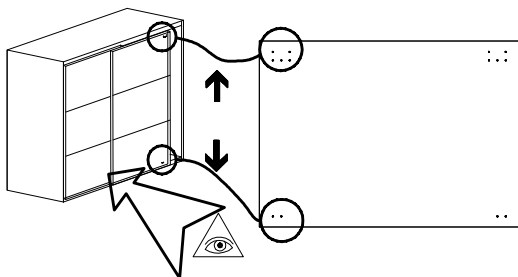
(L/R?)

513x772x15

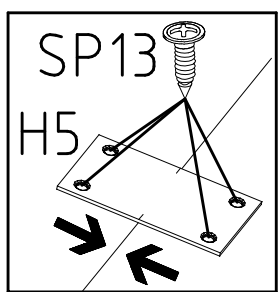
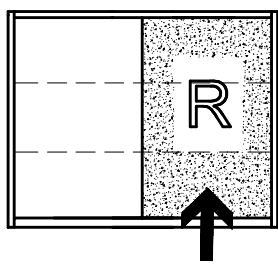



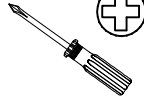
L

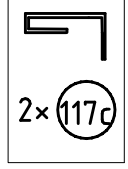
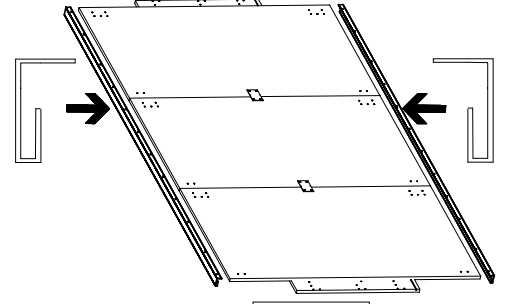
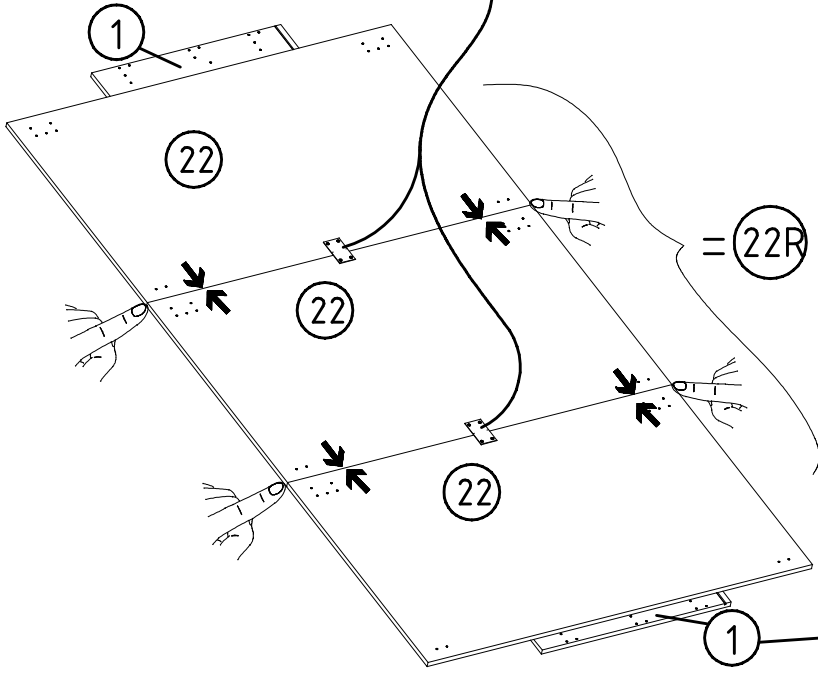
R



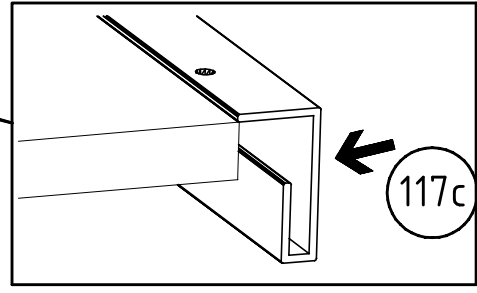
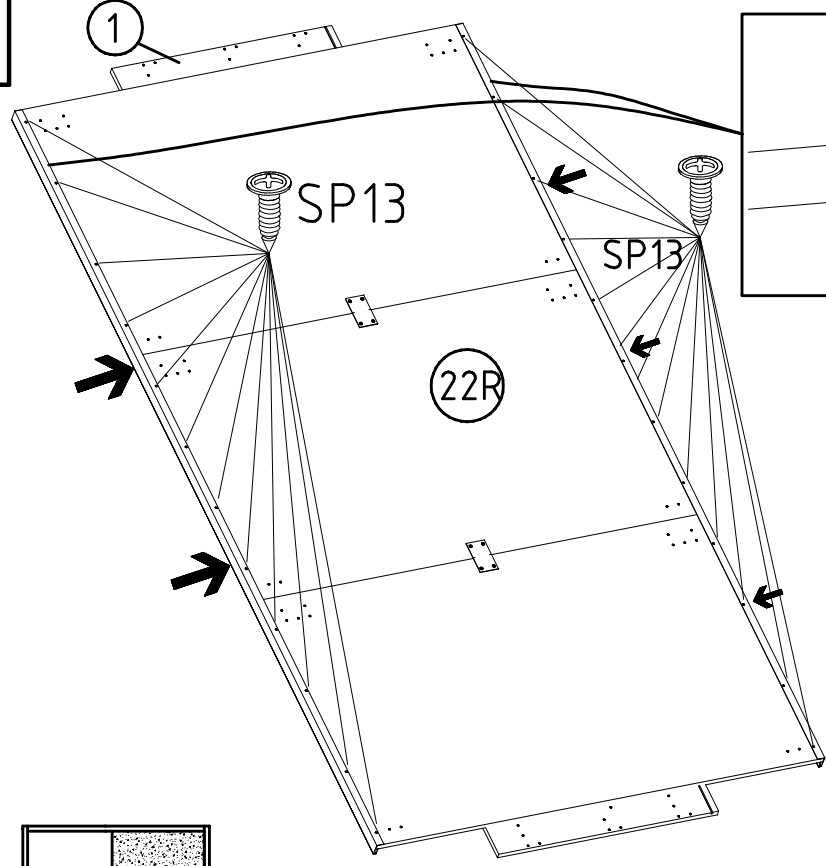
1


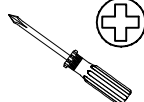


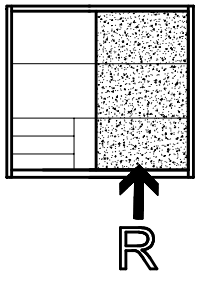
114 183	H5	4 X 13mm	SP13		



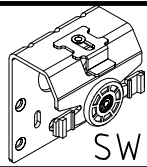
2



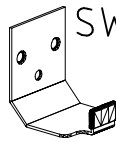
121 122	4 X 13mm	SP13	
			



3



SWT 1



SWH 6

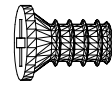
4 X 13mm

SP13

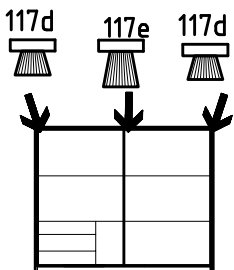
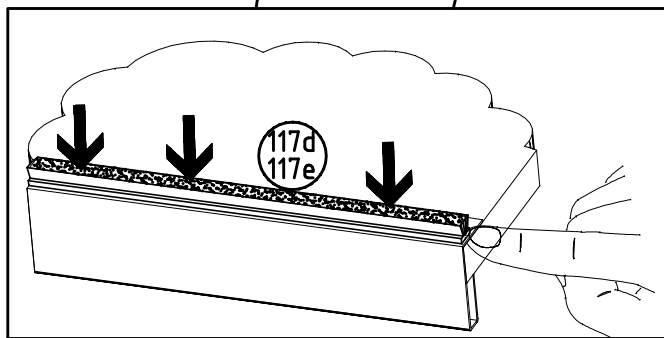
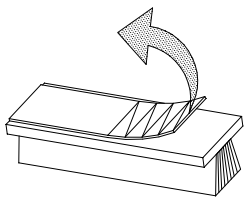
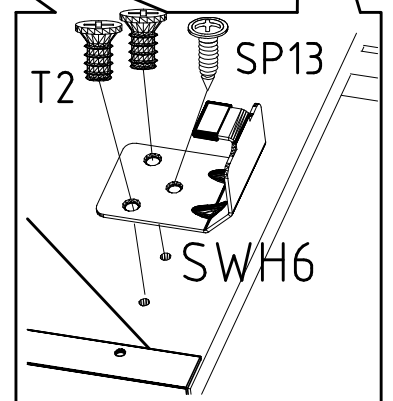
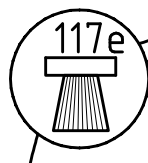
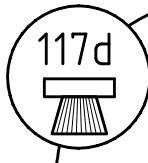
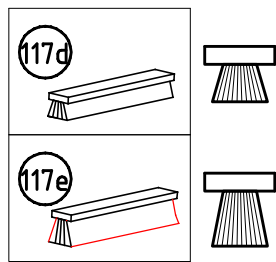
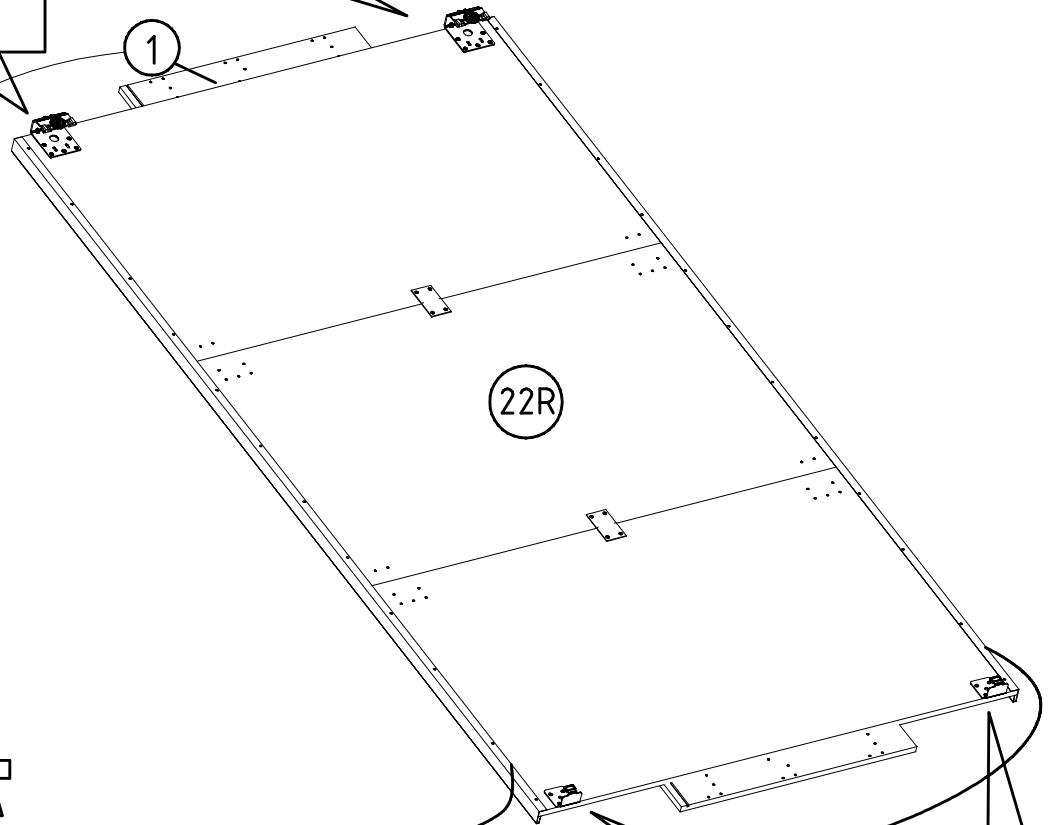
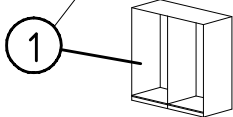
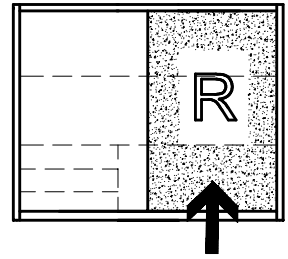
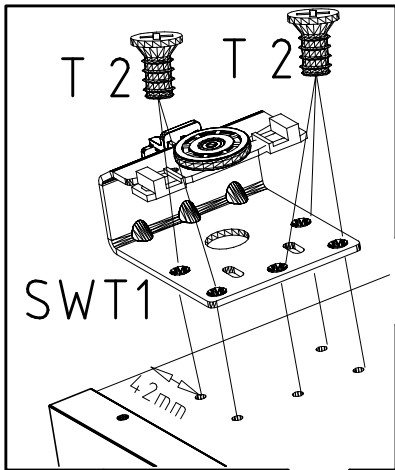
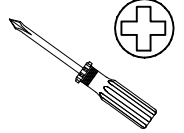


121 122

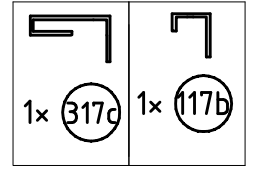
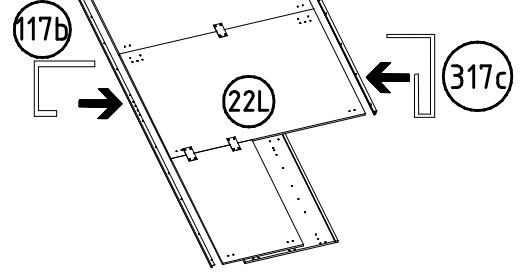
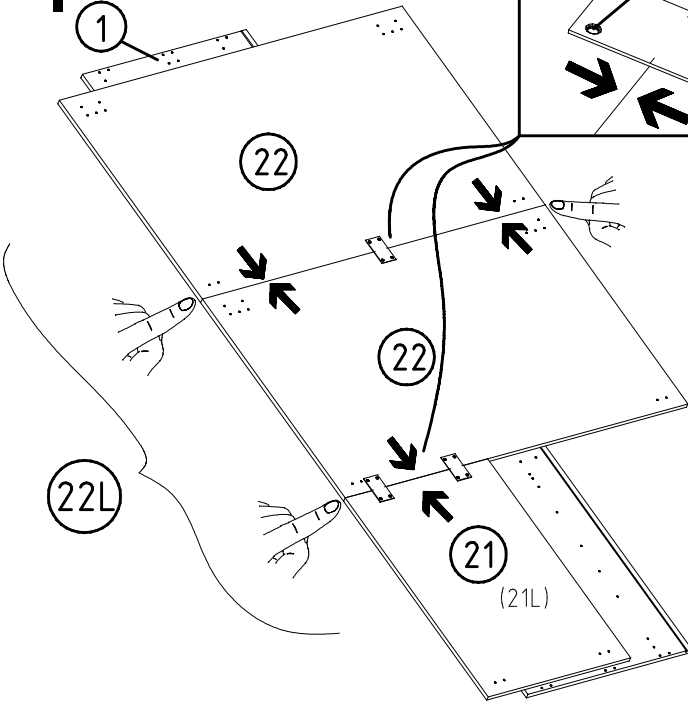
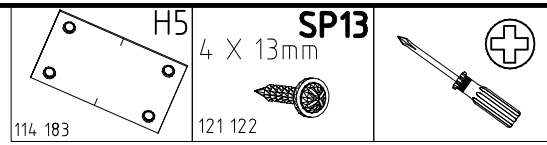
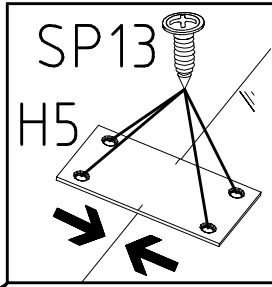
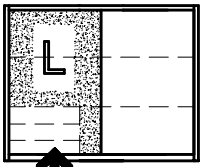
6,3 x 10,5 mm T2



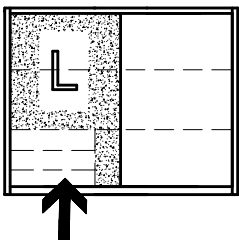
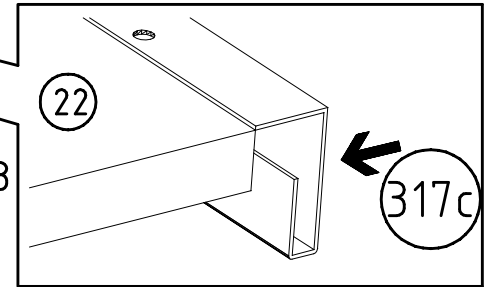
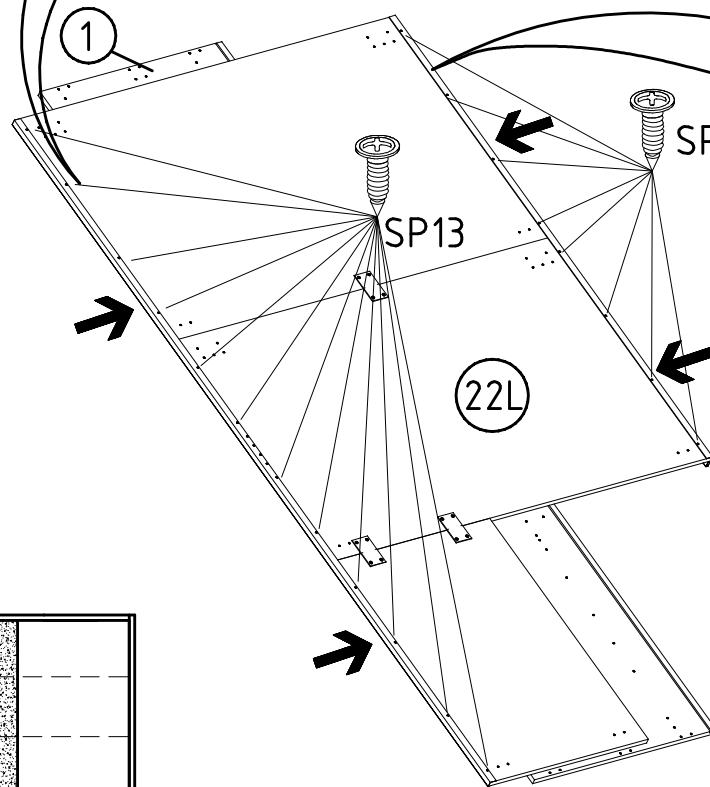
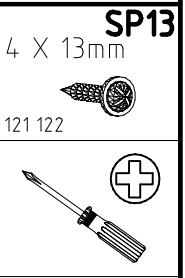
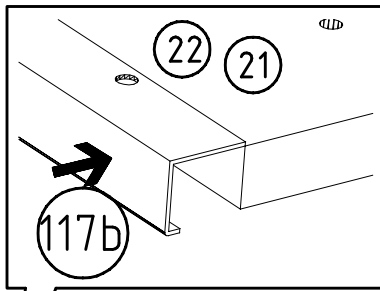
111 030



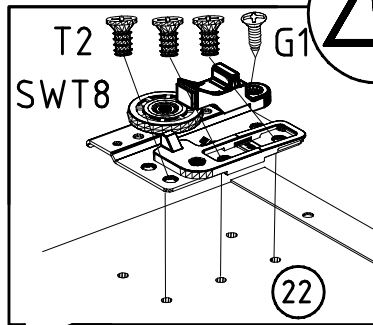
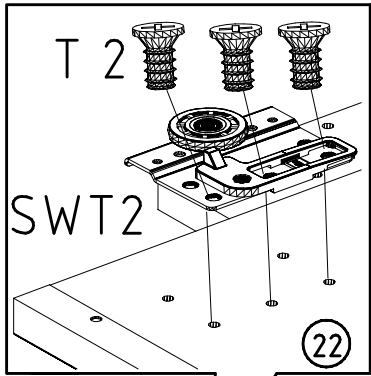
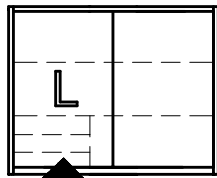
4



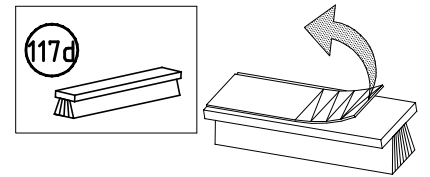
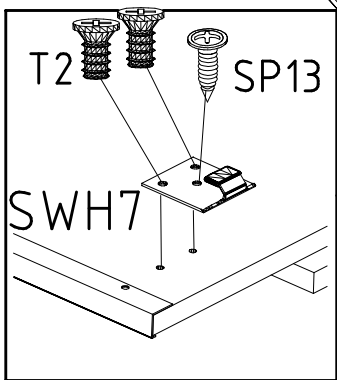
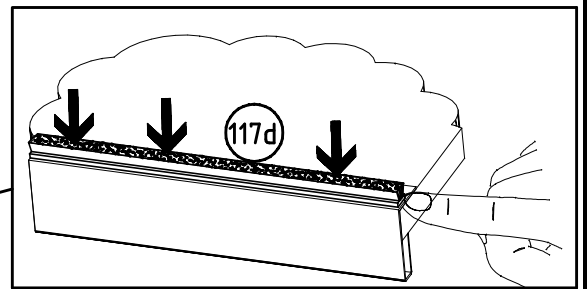
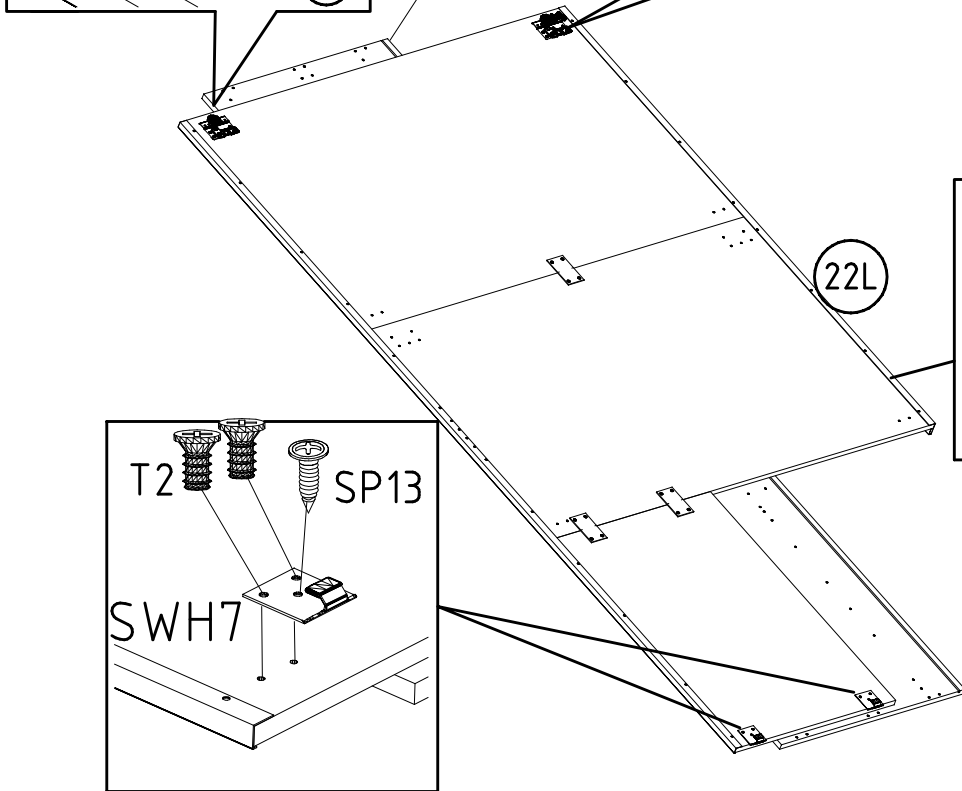
5



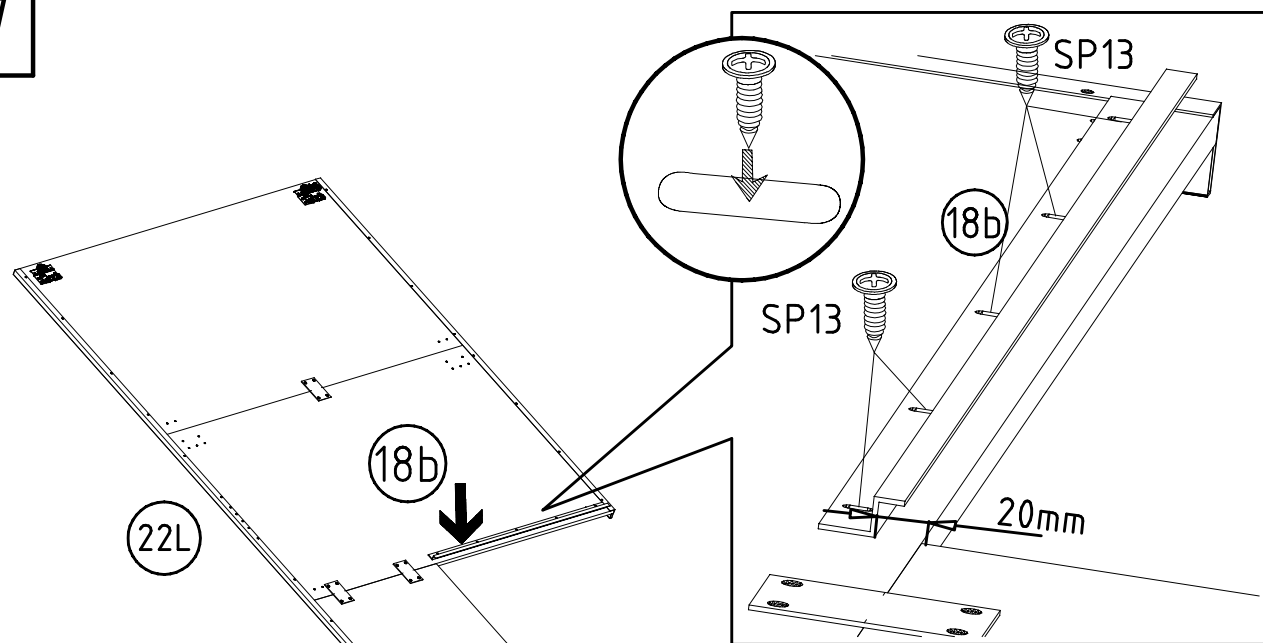
6



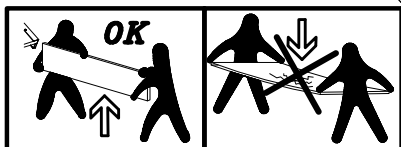
SWT2	SWT8
6,3 x 10,5 mm T2	SWH 7
111 030	
3,5 x 15 mm G1	SP13
	4 X 13mm
121 370	
	121 122



7



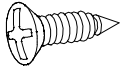
SP13
4 X 13mm
121 122



8

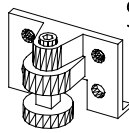
3,5 x 15 mm

G1



121 370

S0



111 300

A1

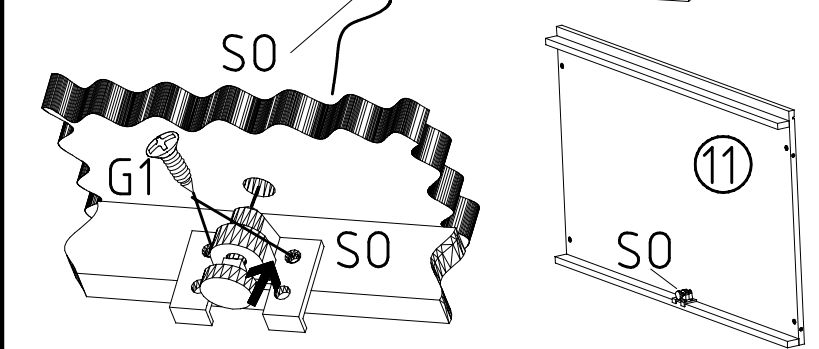
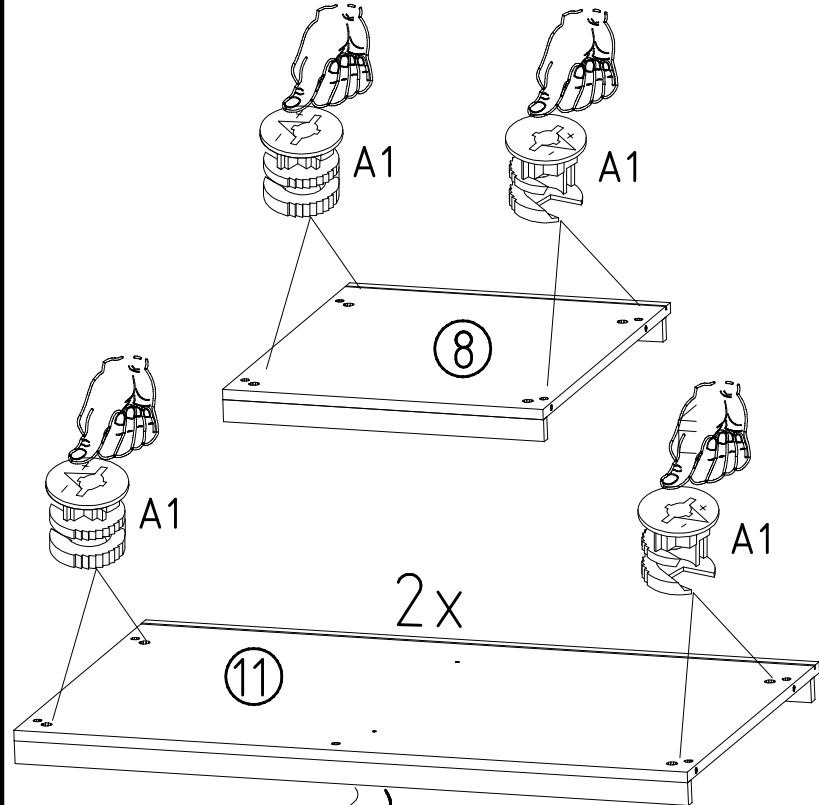


111 xxx

10



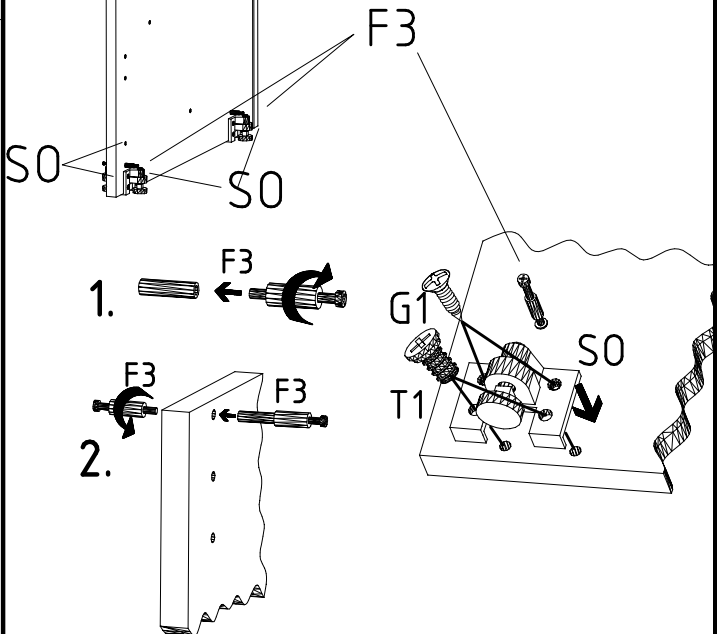
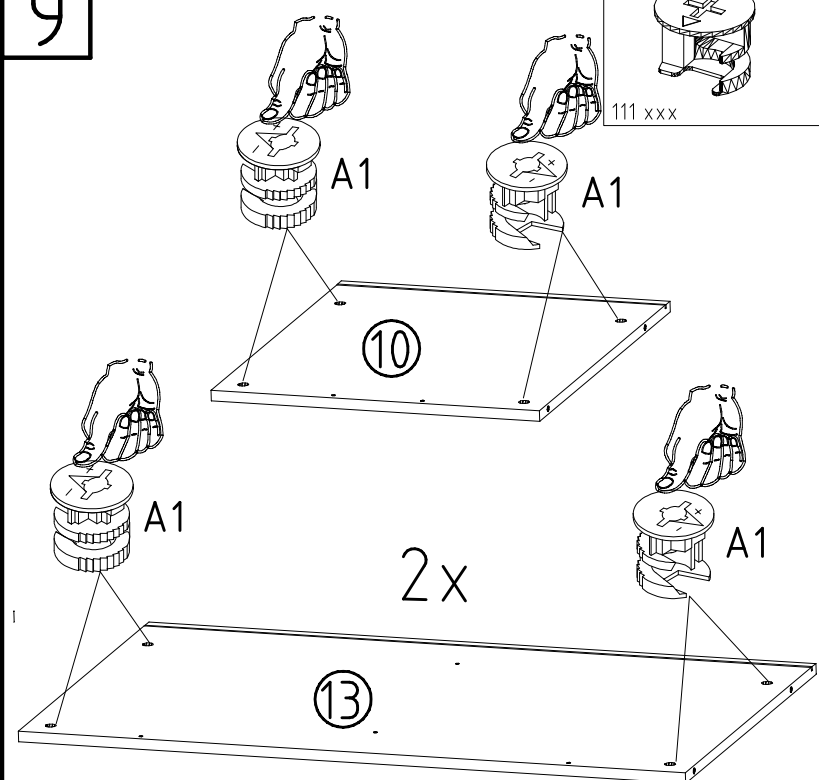
F3



9

A1

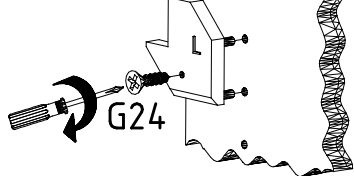
111 xxx



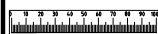
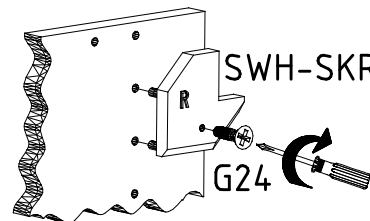
Parts list for step 10:

- Screwdriver (indicated by a plus sign icon)
- 6,3 x 10,5 mm T1
- 112 055
- 3,5 x 15 mm G1
- 121 370
- Bracket S0 (111 300)
- Bracket F3

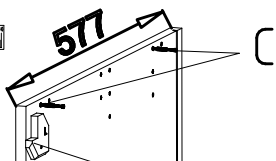
SWH-SKL



SWH-SKR



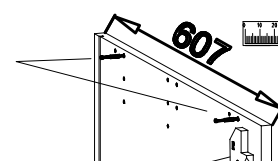
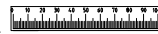
577



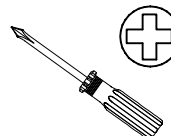
SWH-SKL
+G24



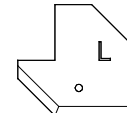
607



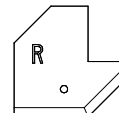
SWH-SKR
+G24



SWH-SKL



SWH-SKR

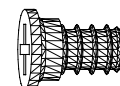


3,5 x 22 mm G24



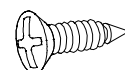
121 004

6,3 x 10,5 mm T1

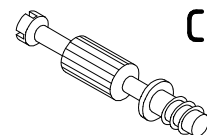


112 055

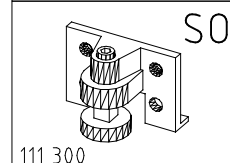
3,5 x 15 mm G1



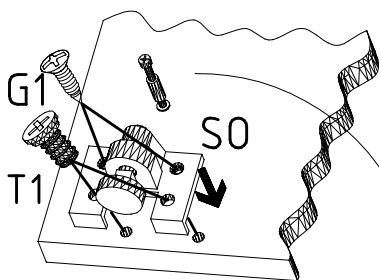
121 370



111 103

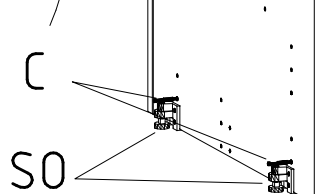
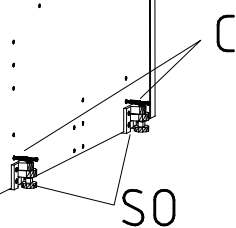


111 300

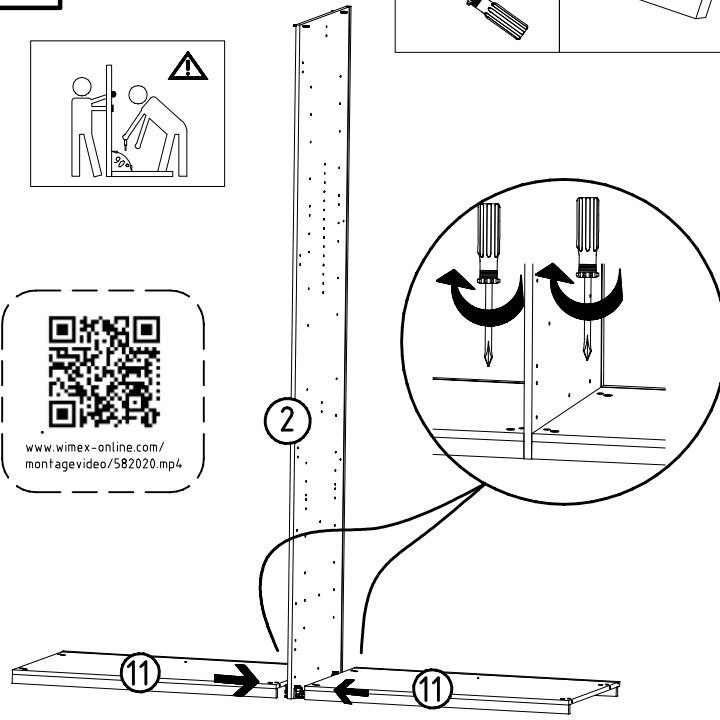
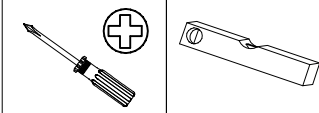


1

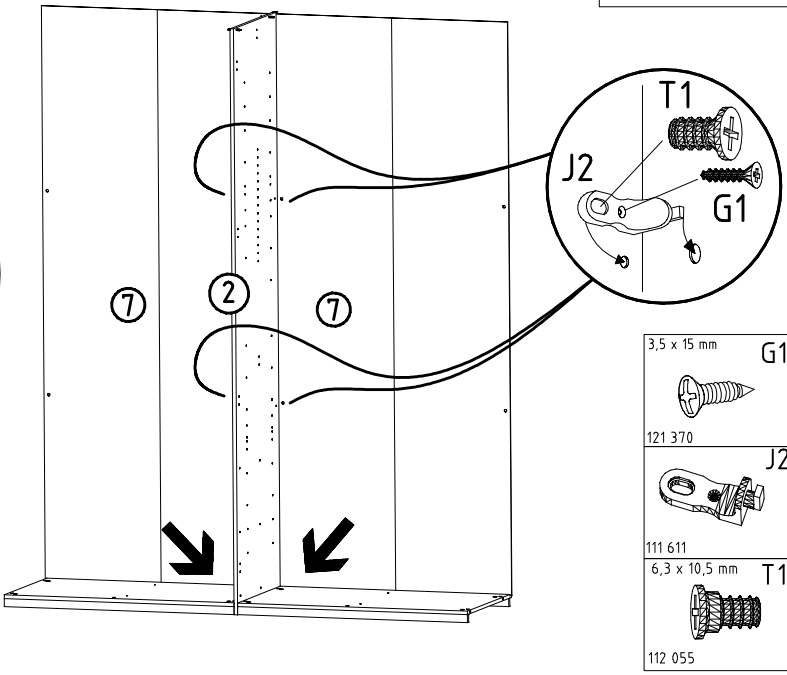
3



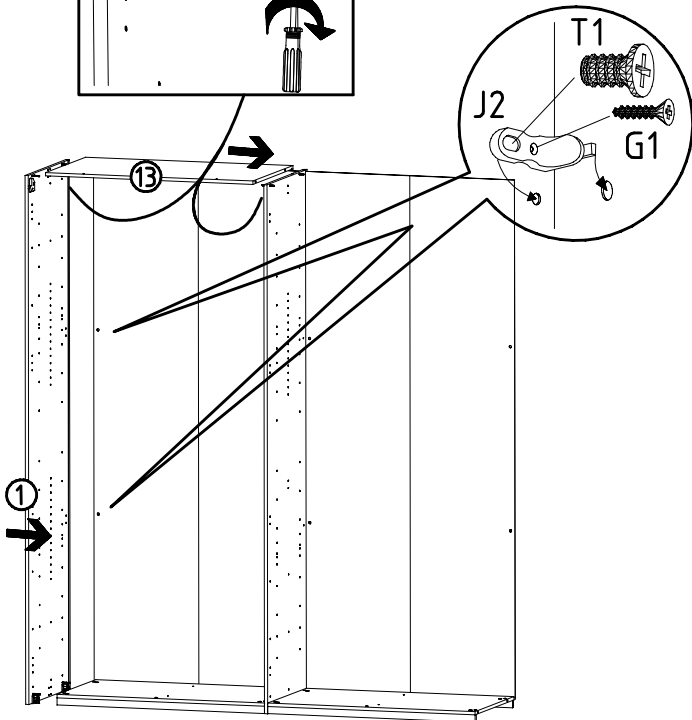
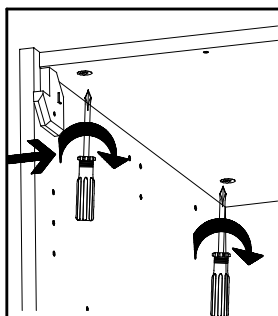
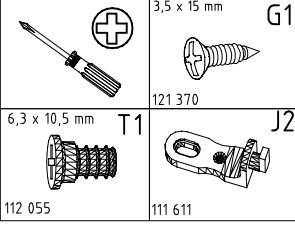
12



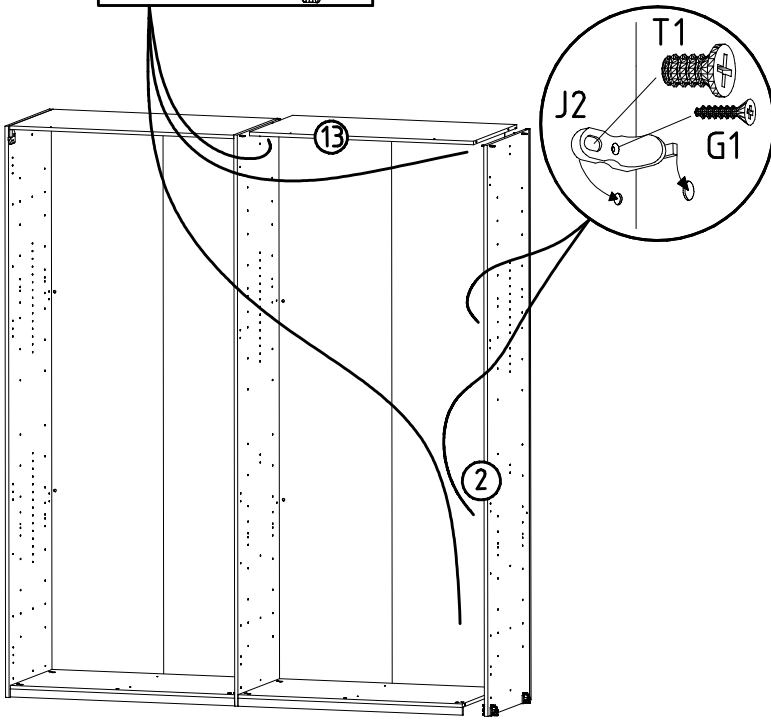
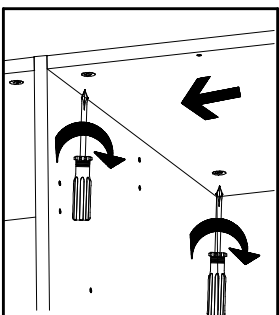
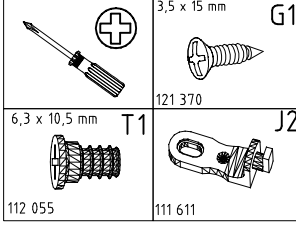
13



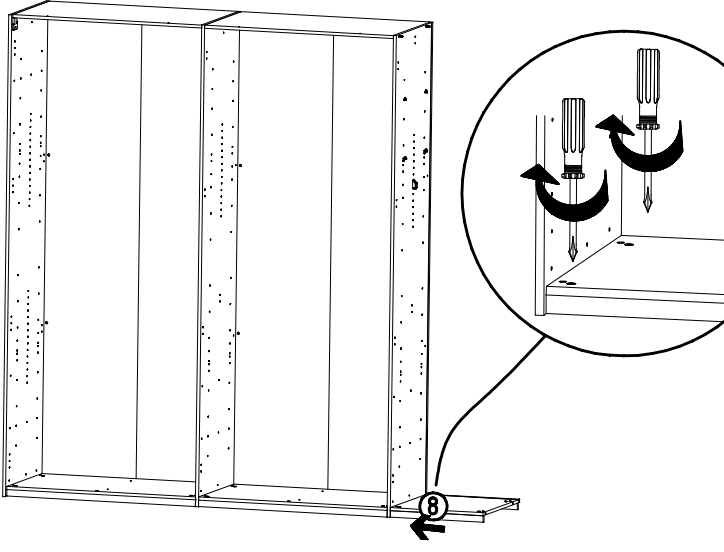
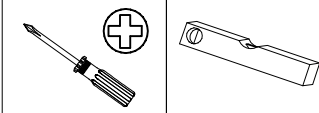
14



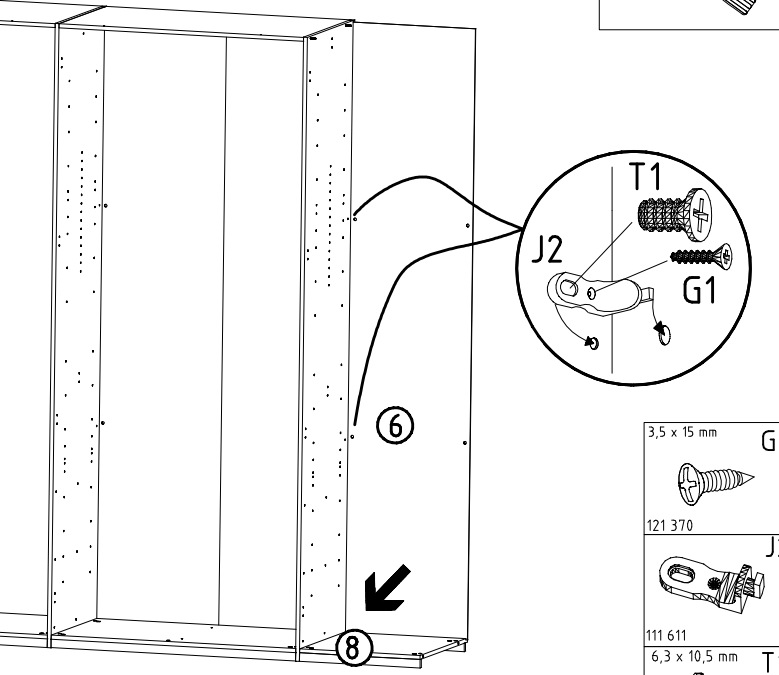
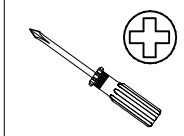
15



16

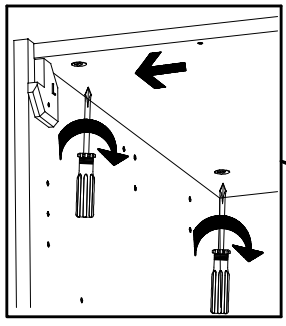


17

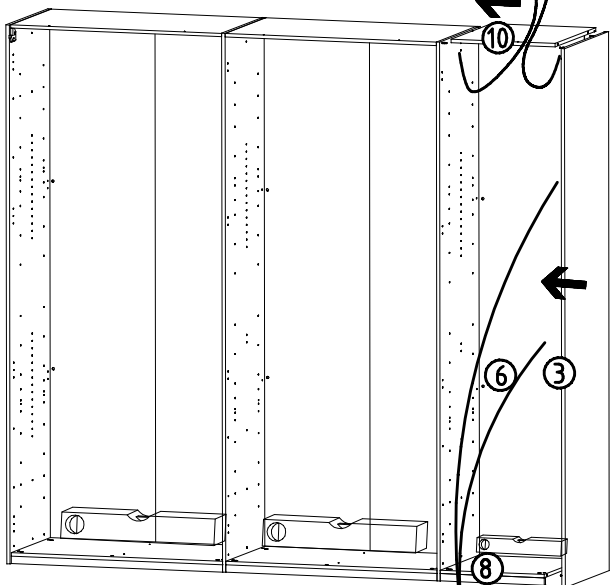


- 3,5 x 15 mm G1
- 121 370
- 111 611
- 6,3 x 10,5 mm T1
- 112 055

18

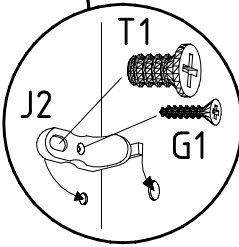
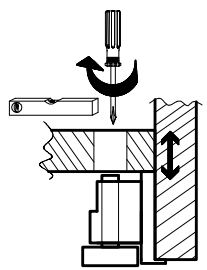
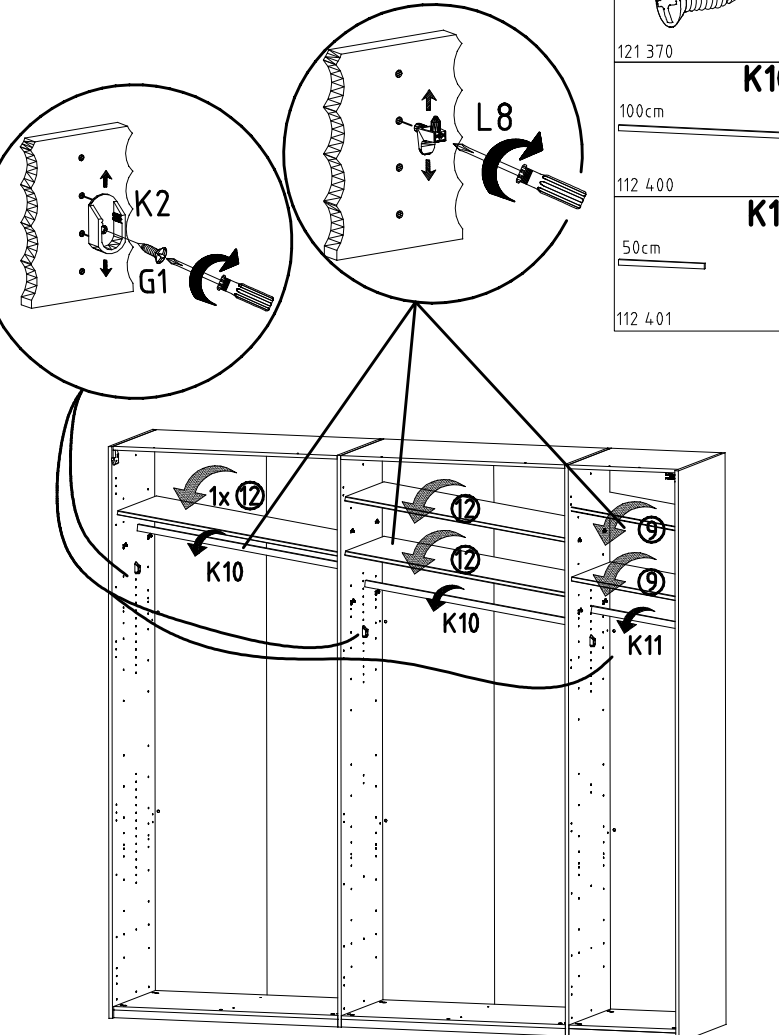


- 3,5 x 15 mm G1
- 121 370
- 111 611
- 6,3 x 10,5 mm T1
- 112 055

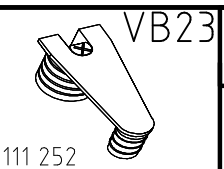
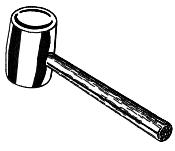


19

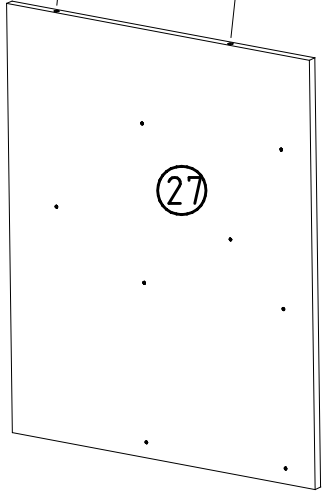
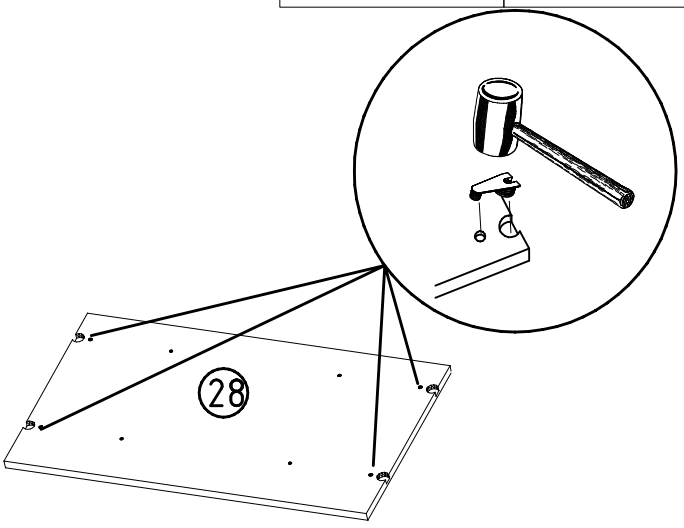
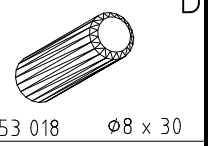
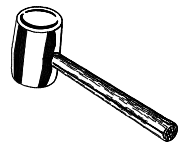
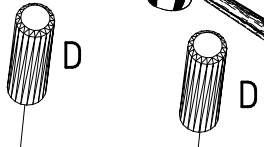
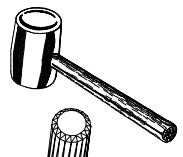
- 111 607
- L8
- 117 002
- 3,5 x 15 mm G1
- 121 370
- 100cm K10
- 112 400
- 50cm K11
- 112 401



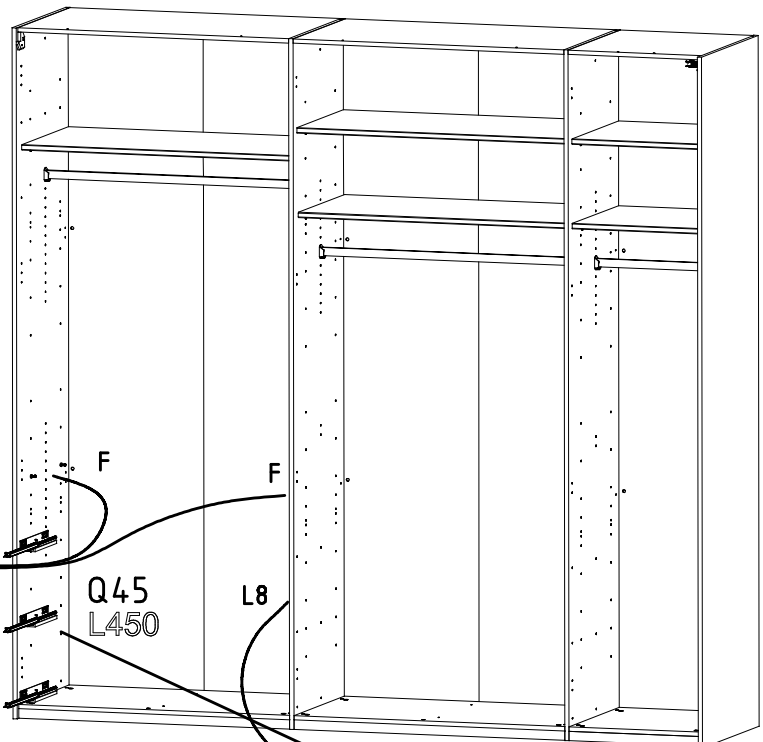
20



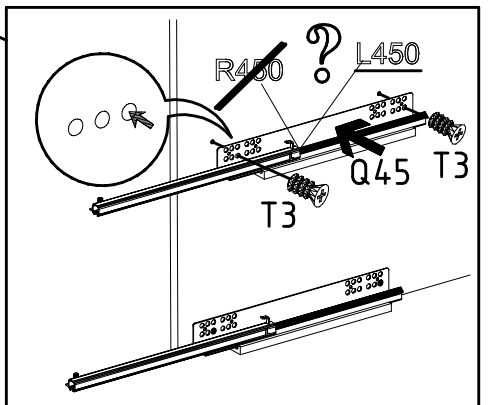
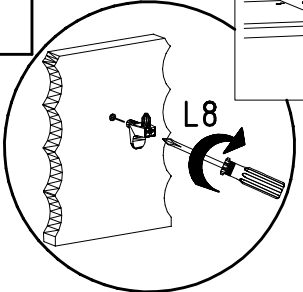
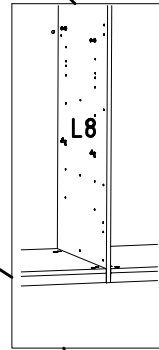
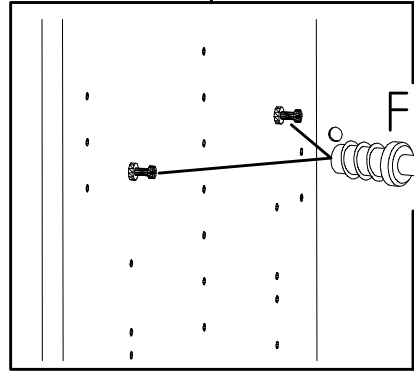
21



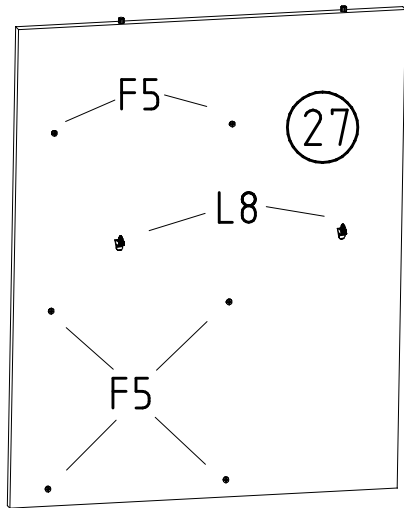
22



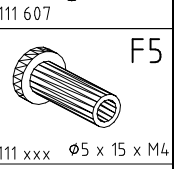
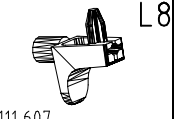
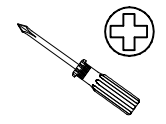
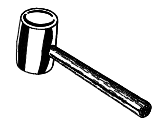
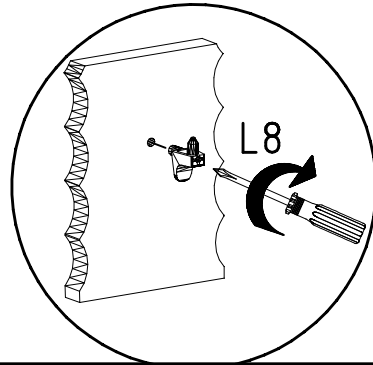
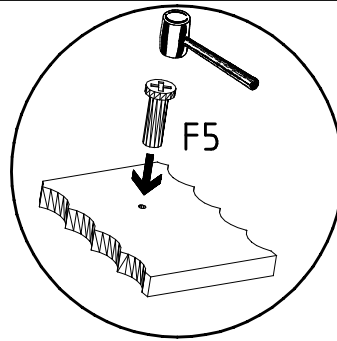
-
- Q45**
-
- 112 220/1
- M6 x 10
- T3**
-
- 112 616
- F**
-
- 111 229
- L8**
-
- 111 607



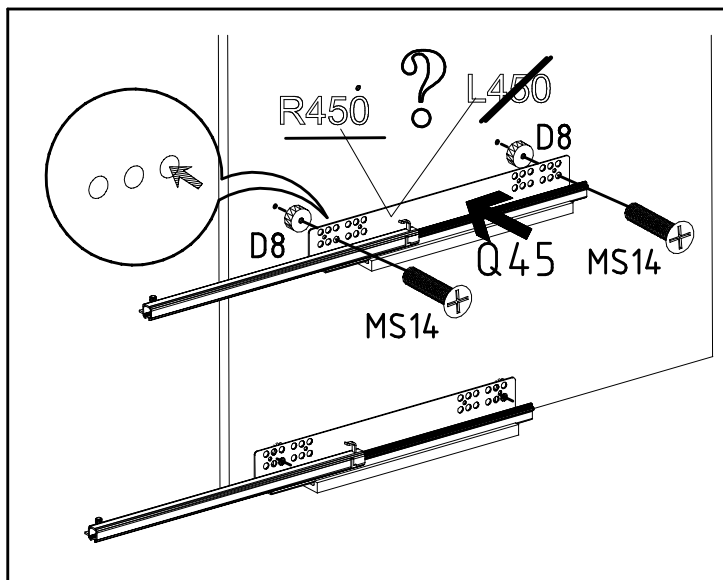
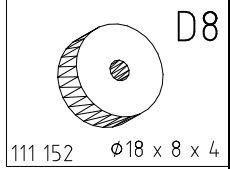
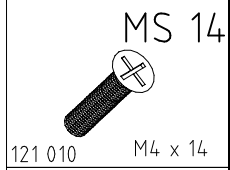
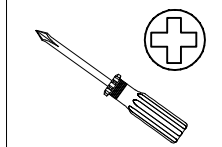
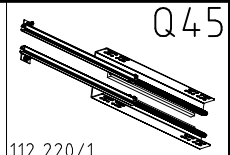
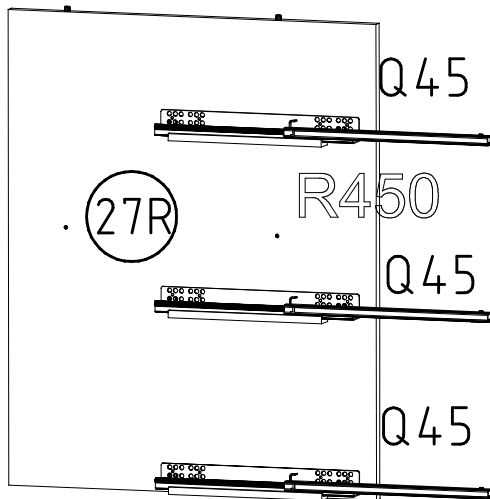
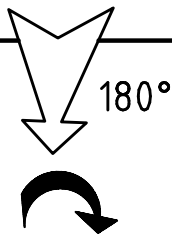
23



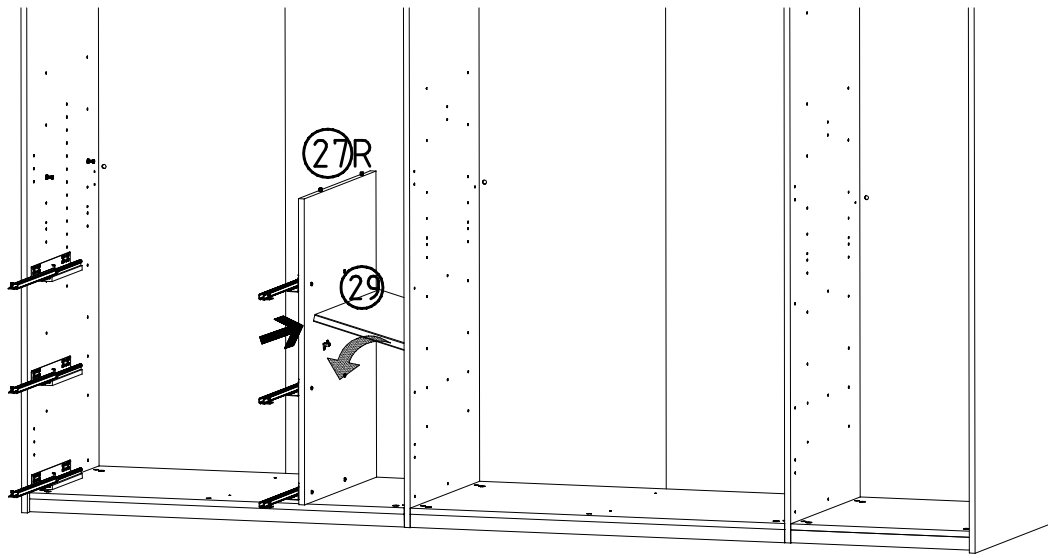
=27R



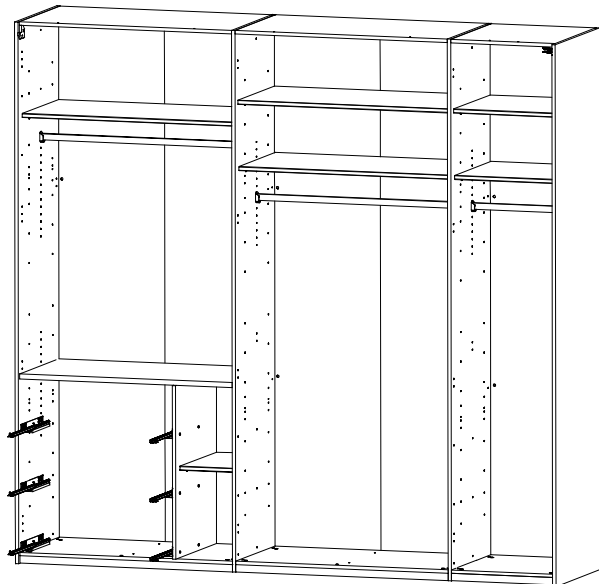
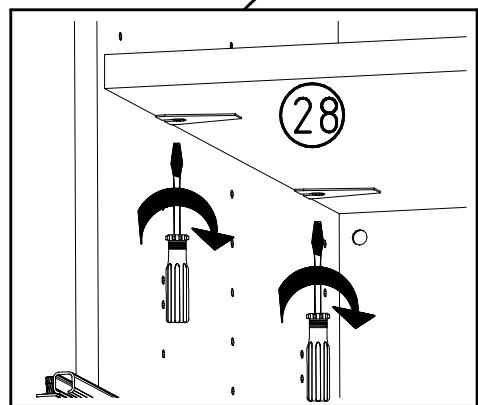
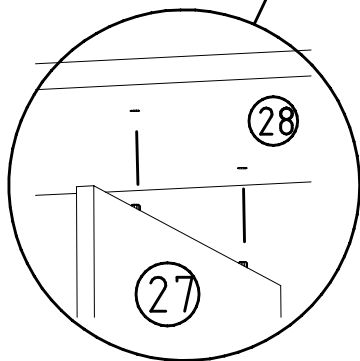
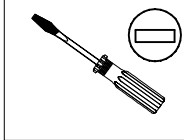
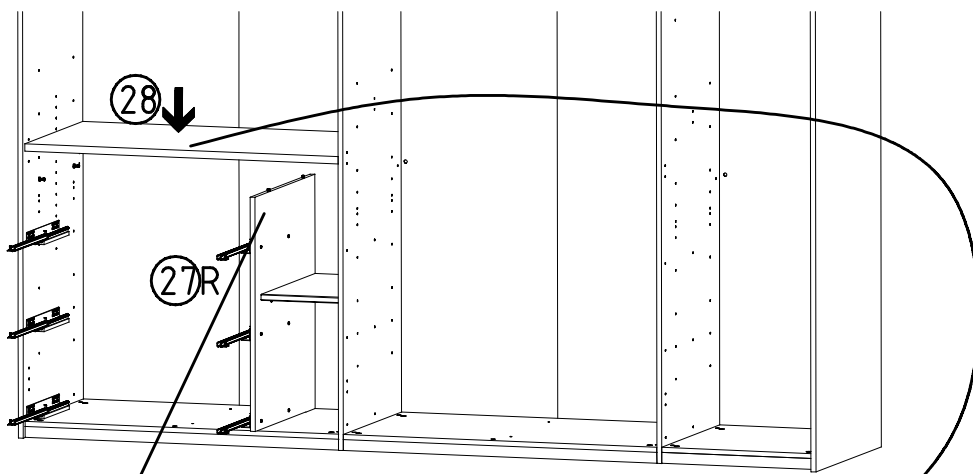
24

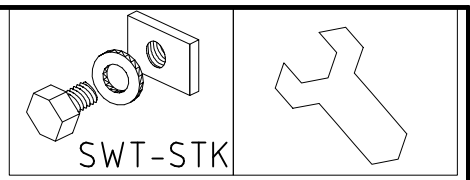


25

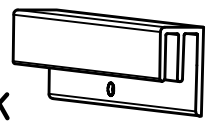


26

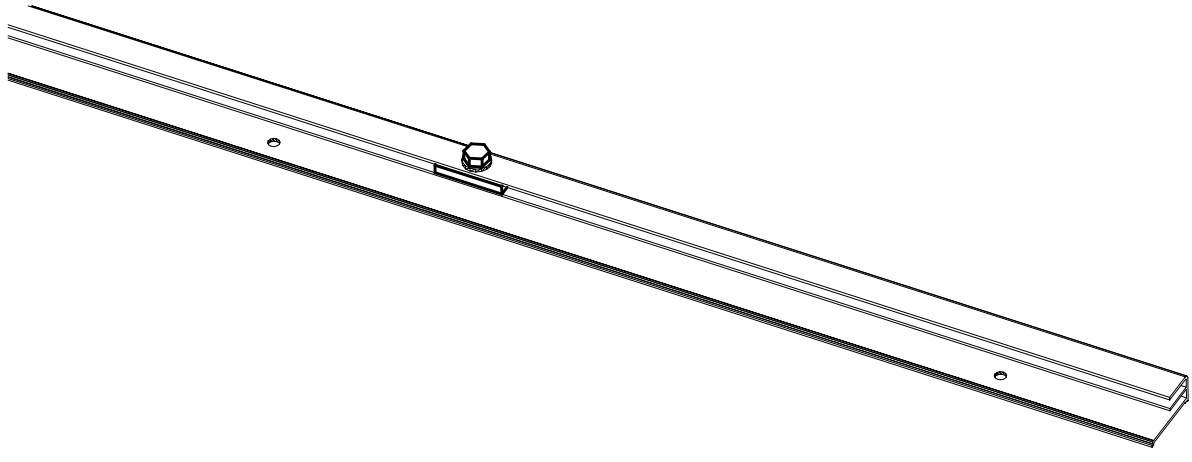
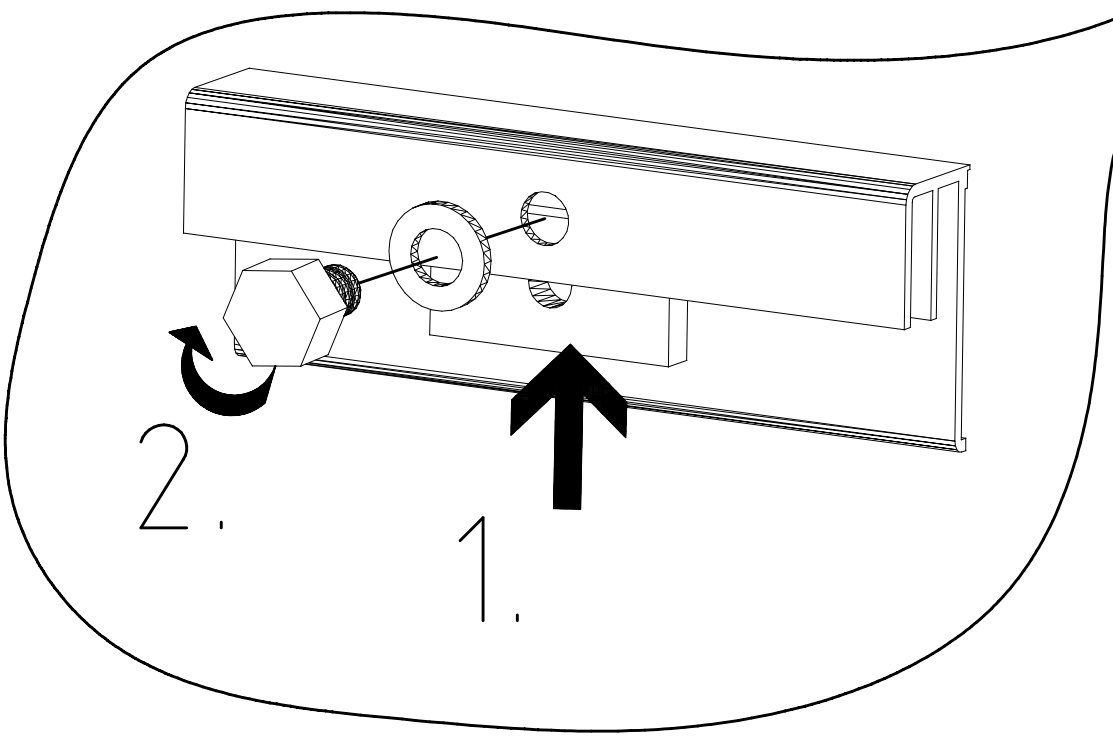
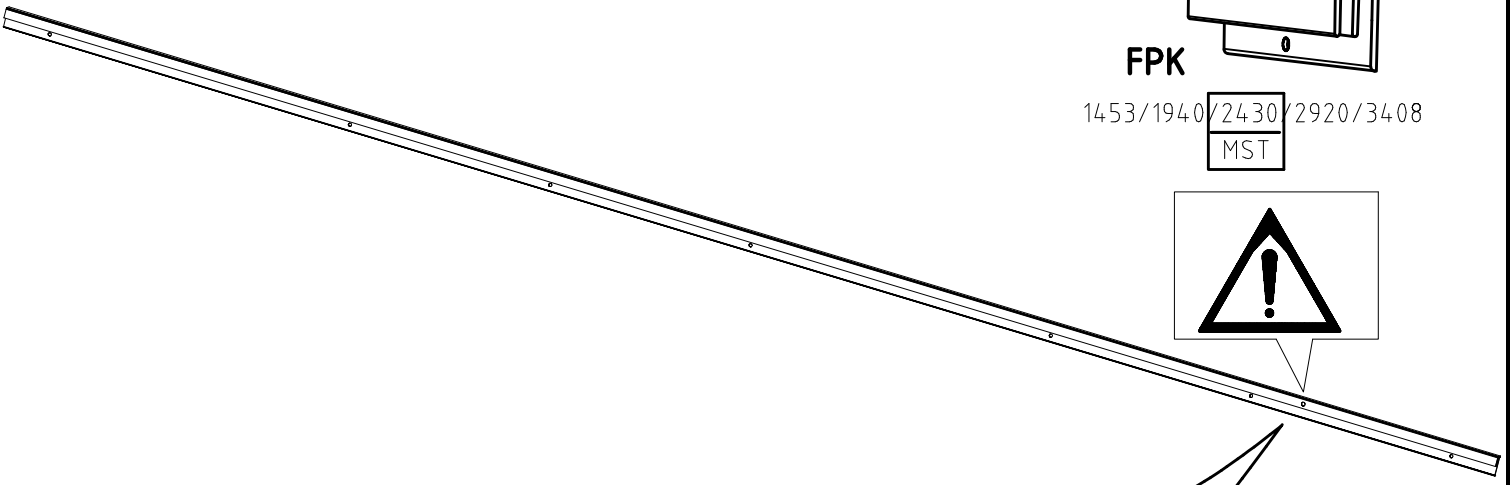


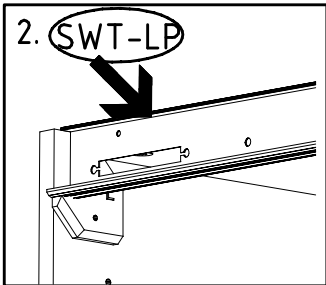
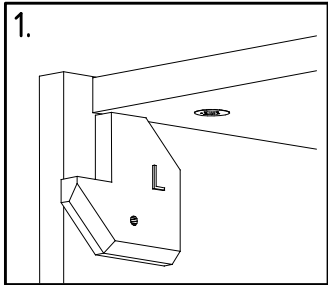


FPK

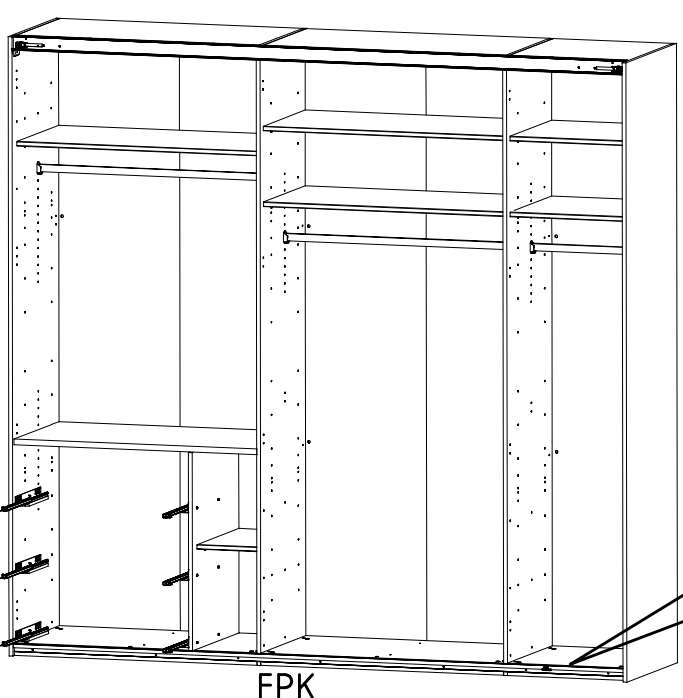
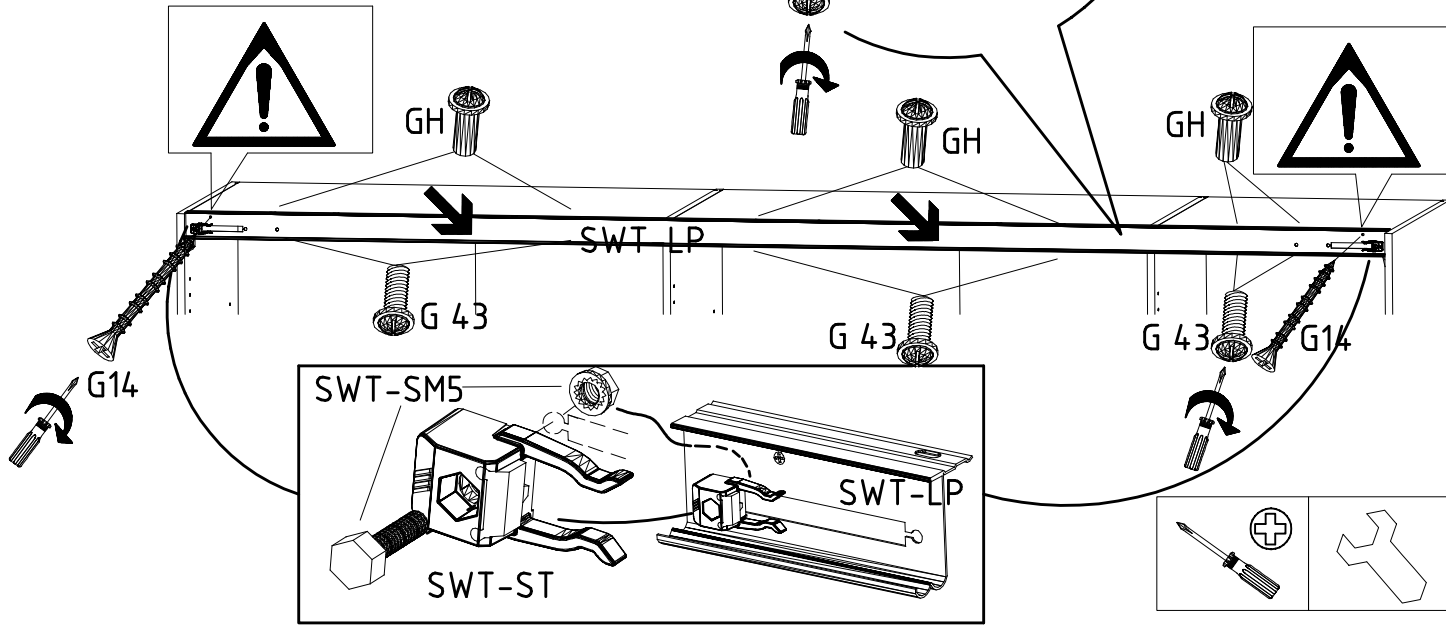
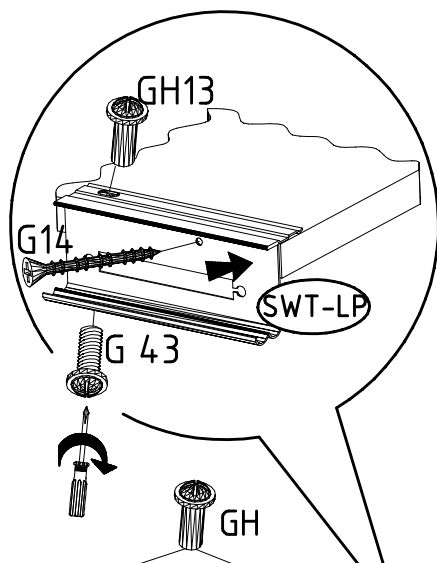
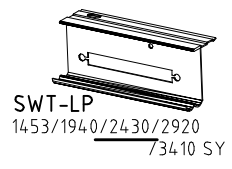


1453/1940/2430/2920/3408
MST

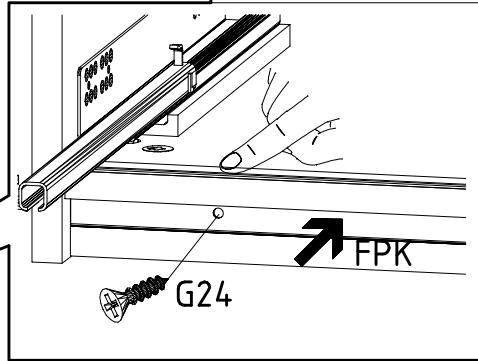




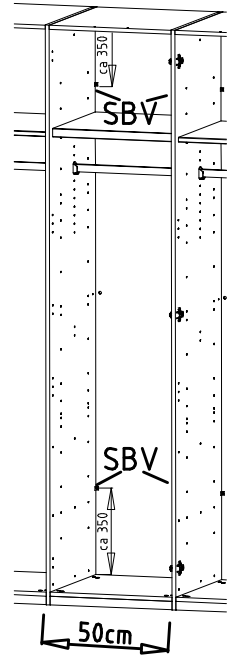
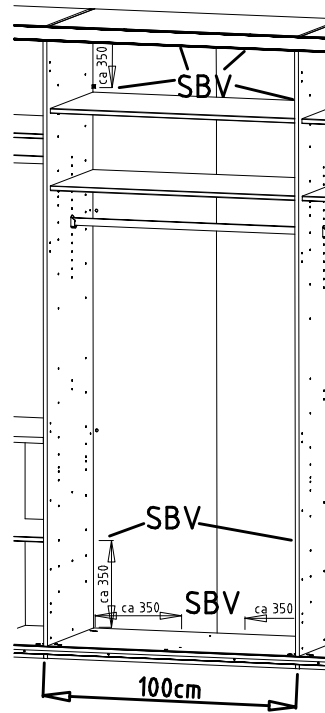
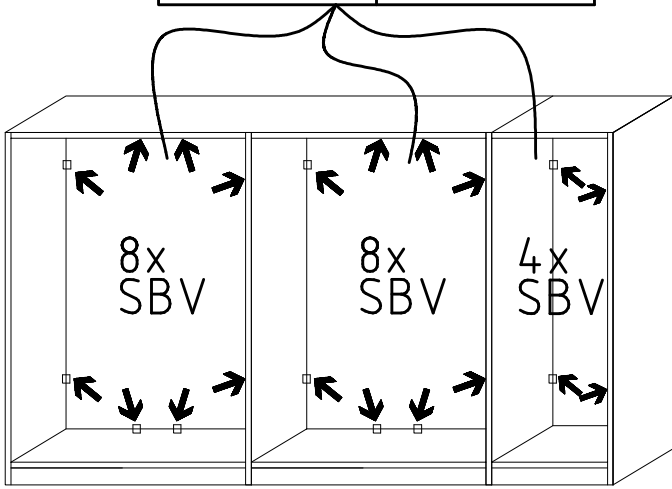
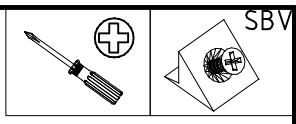
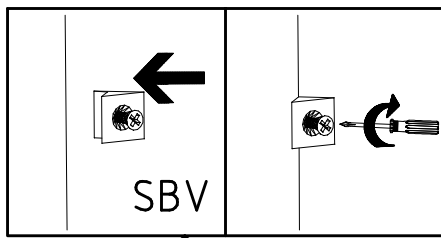
- M4 x 10 mm G43 121 xxx
- M4 x 13 mm GH13 121 xxx
- 3,5 x 35 mm G14 121 375
- SWT-ST
- SWT-SM5



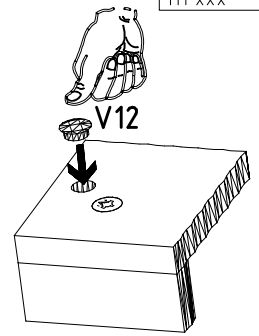
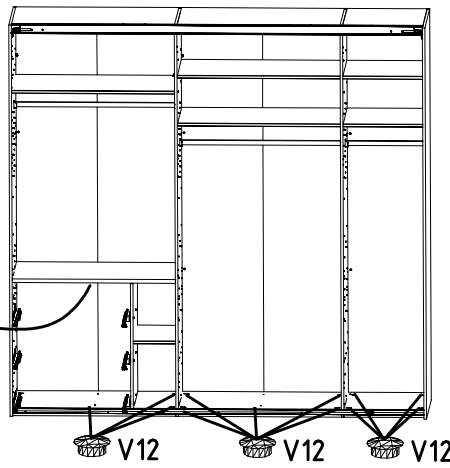
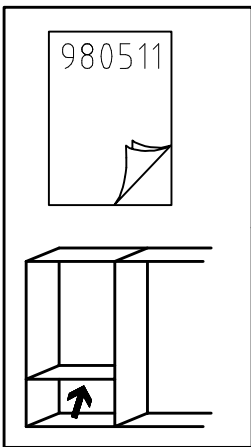
- FPK 1453/1940/2430/2920/3408
- 3,5 x 22 mm G24 121 004



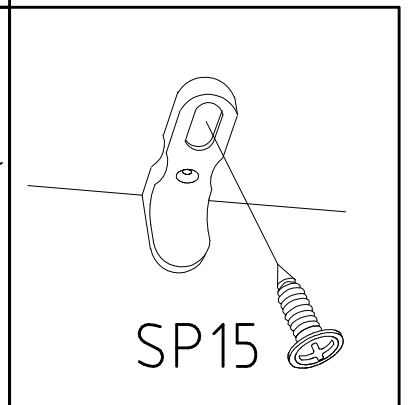
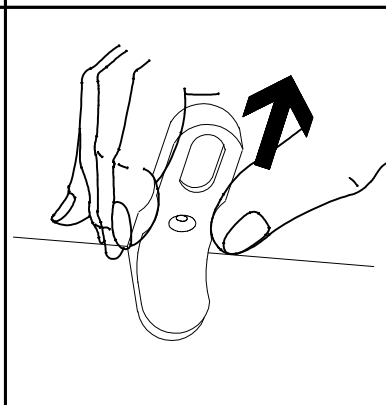
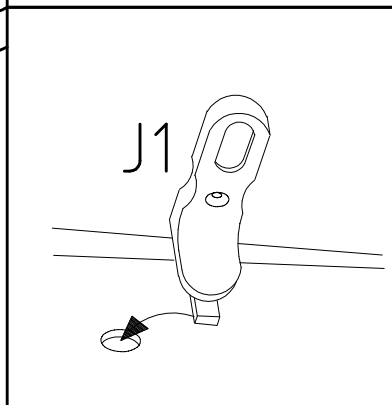
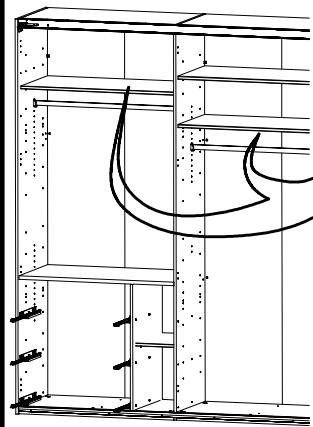
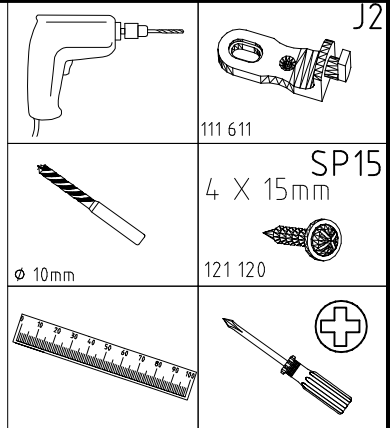
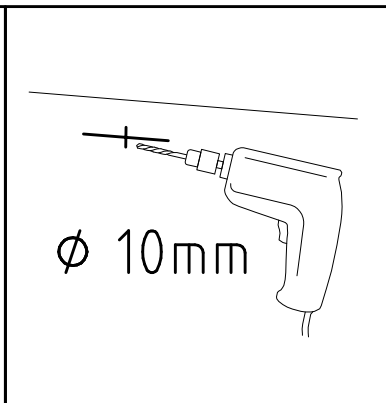
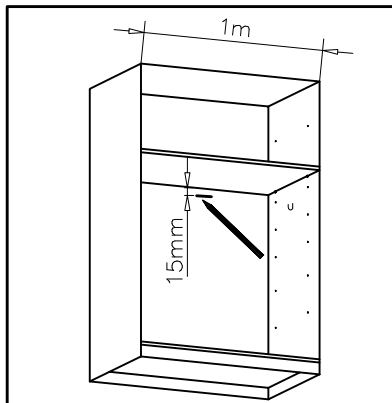
30



31



32

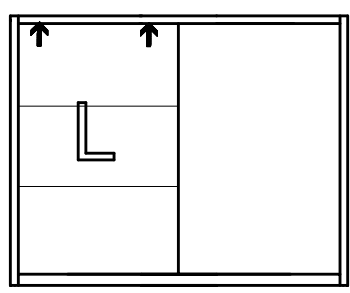
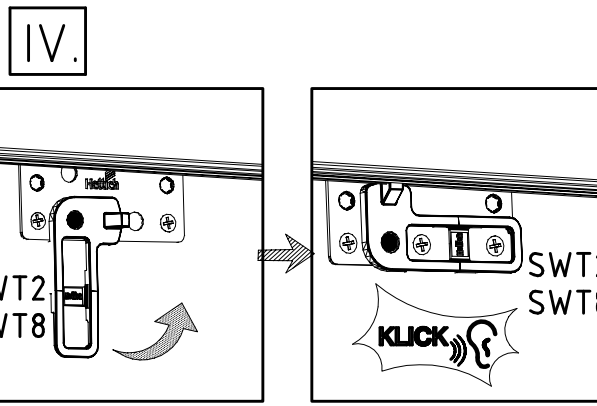
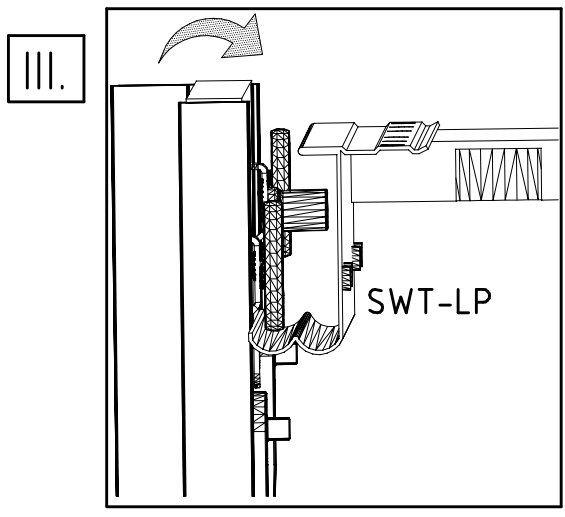
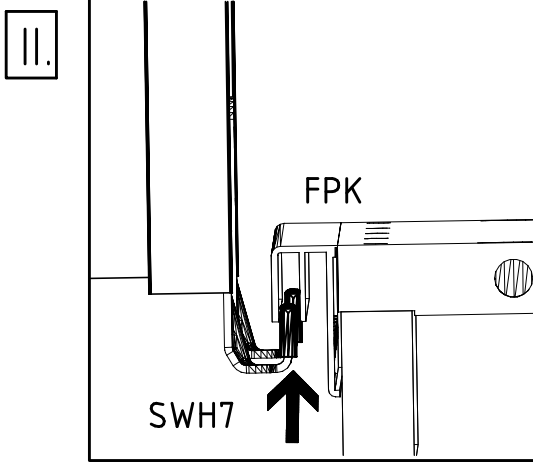
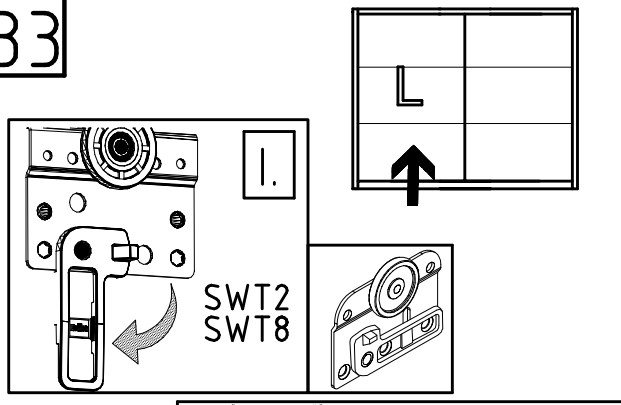


980791

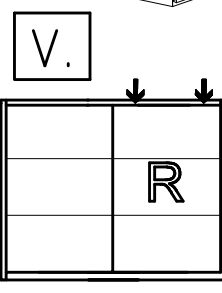
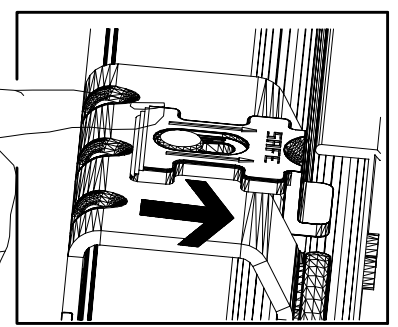
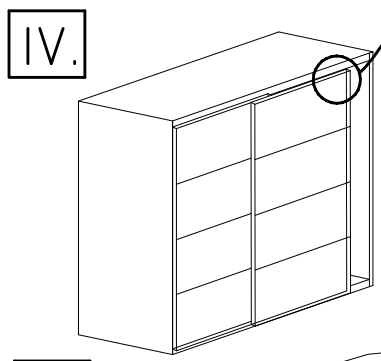
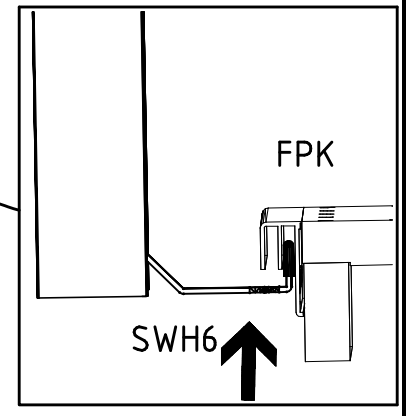
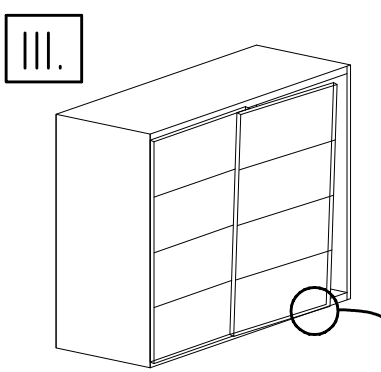
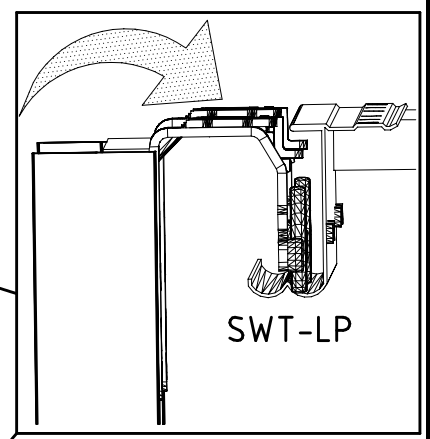
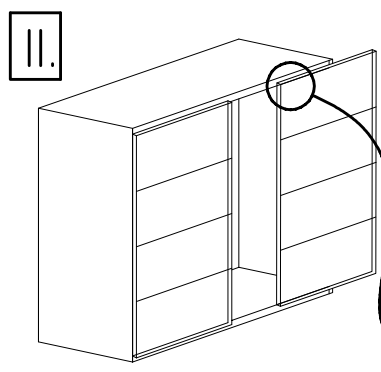
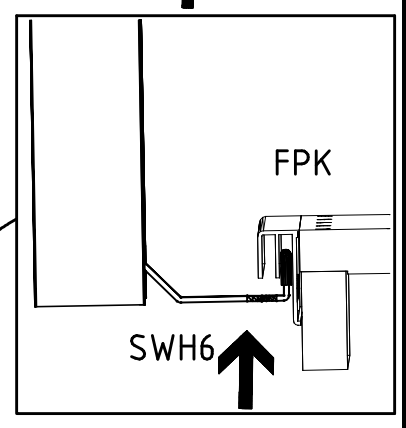
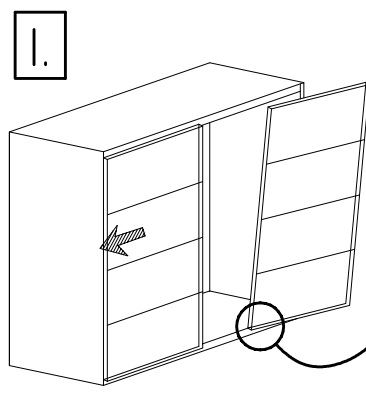
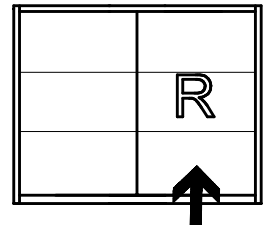
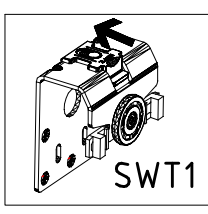
06.04.17 / 19.05.17

05 17 | 17/23

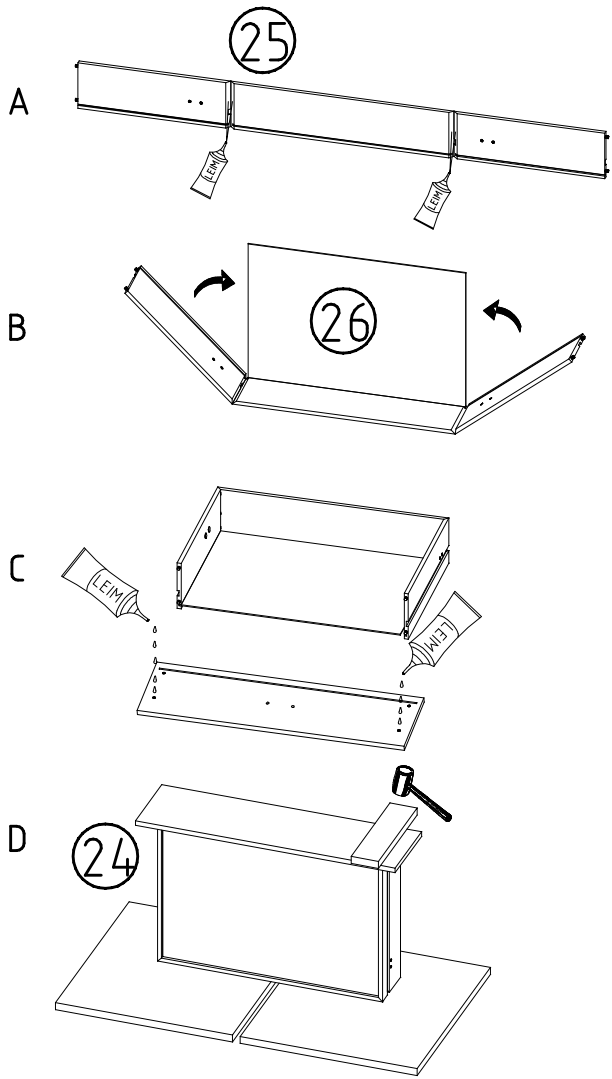
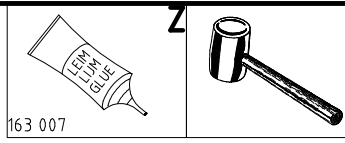
33



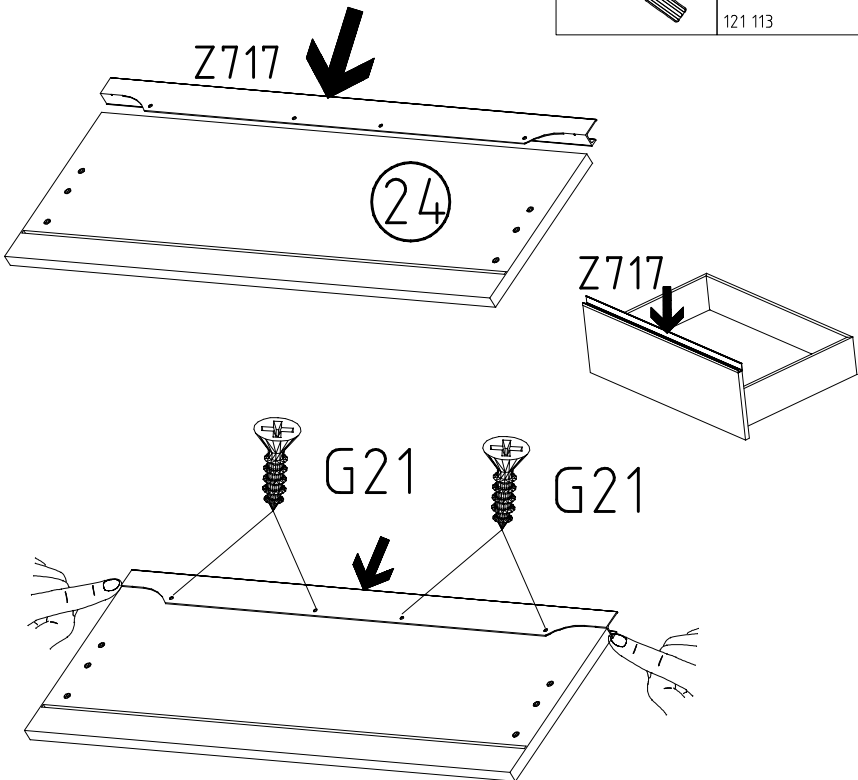
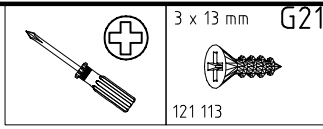
34



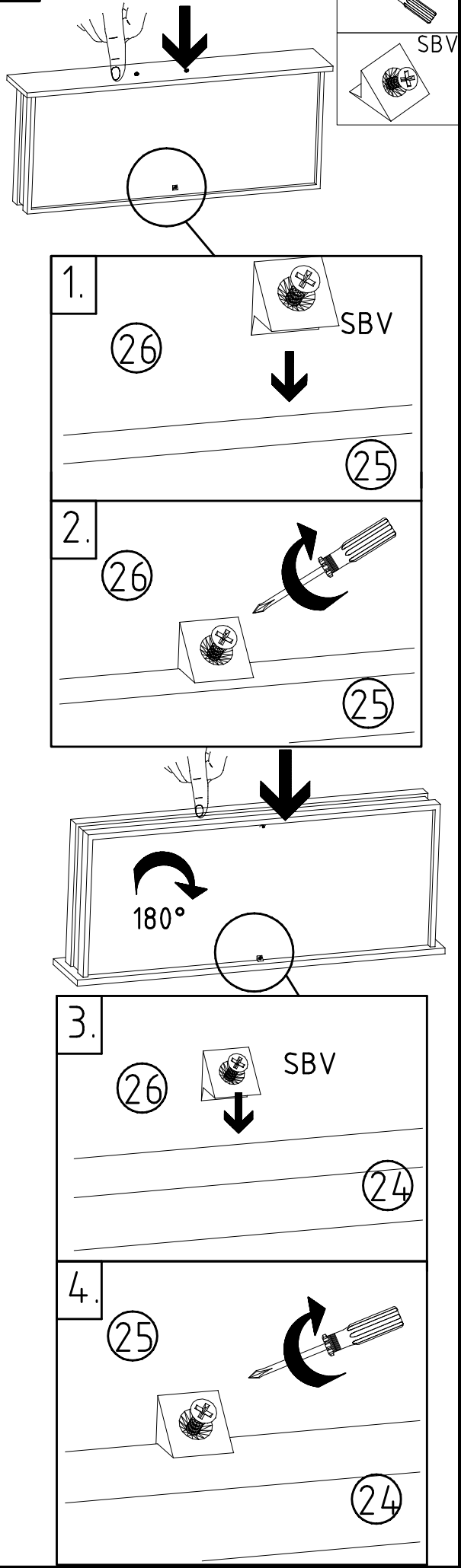
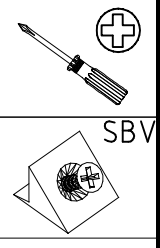
35



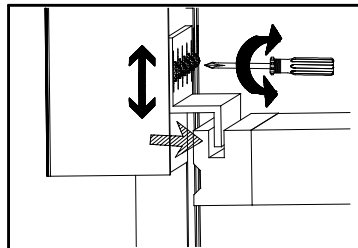
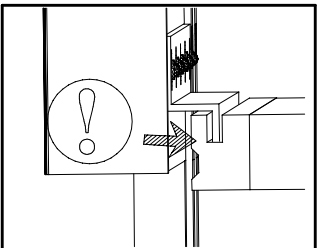
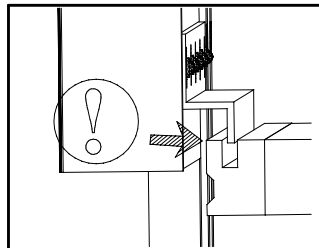
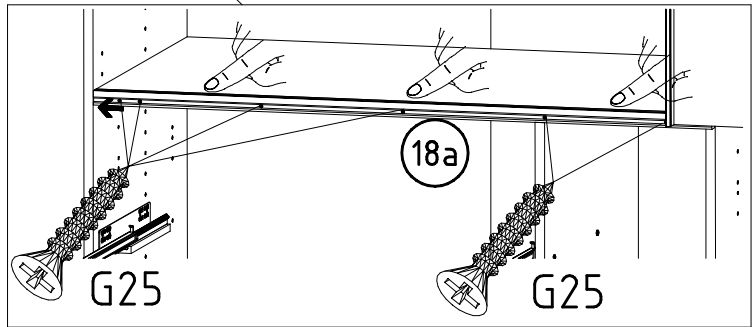
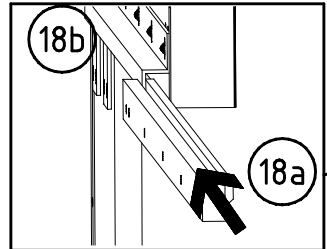
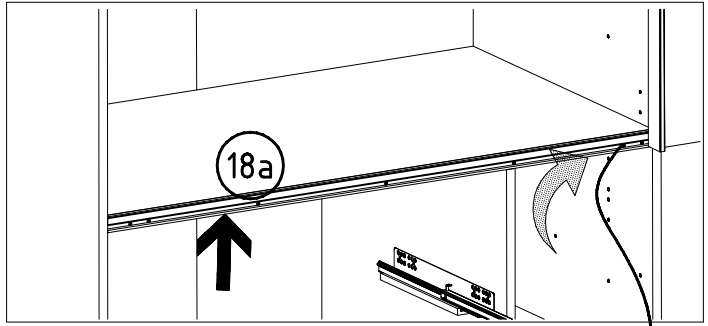
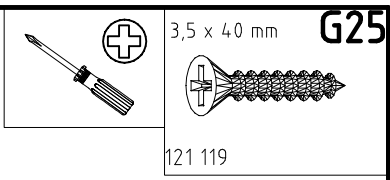
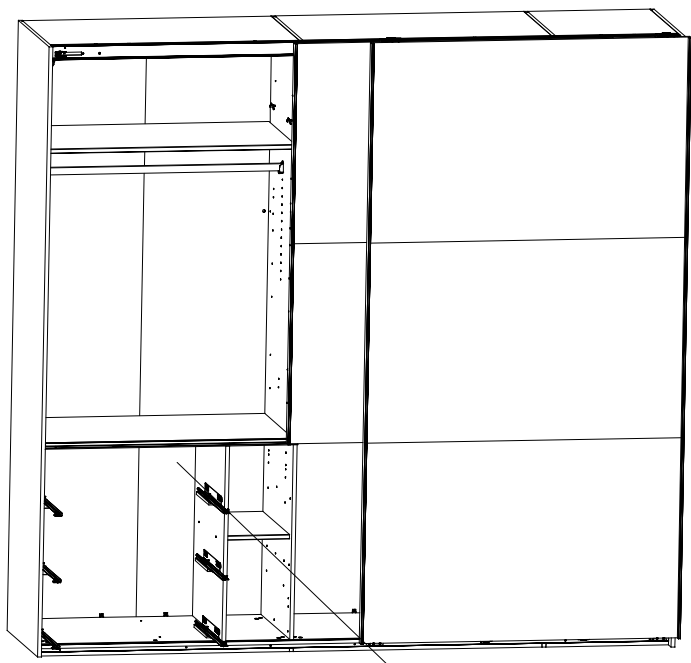
36



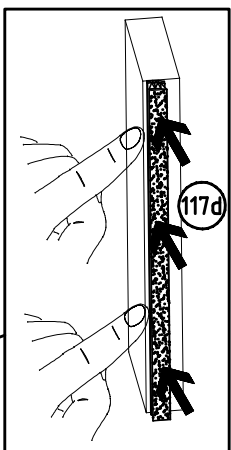
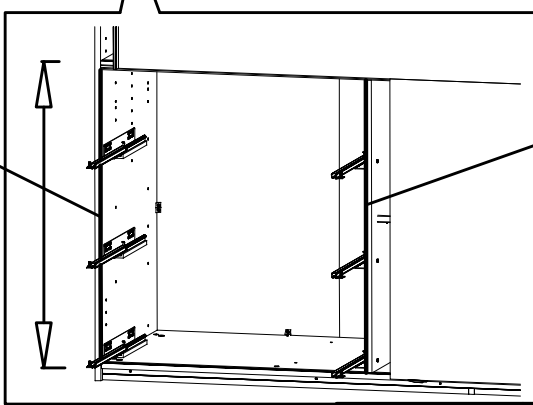
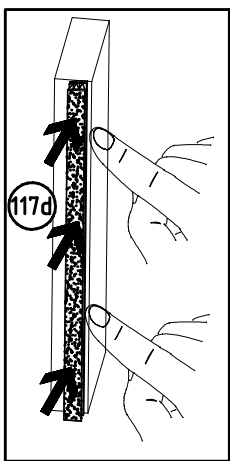
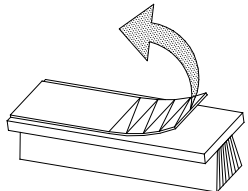
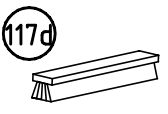
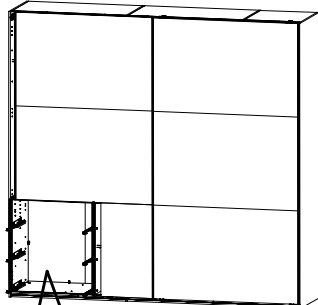
37

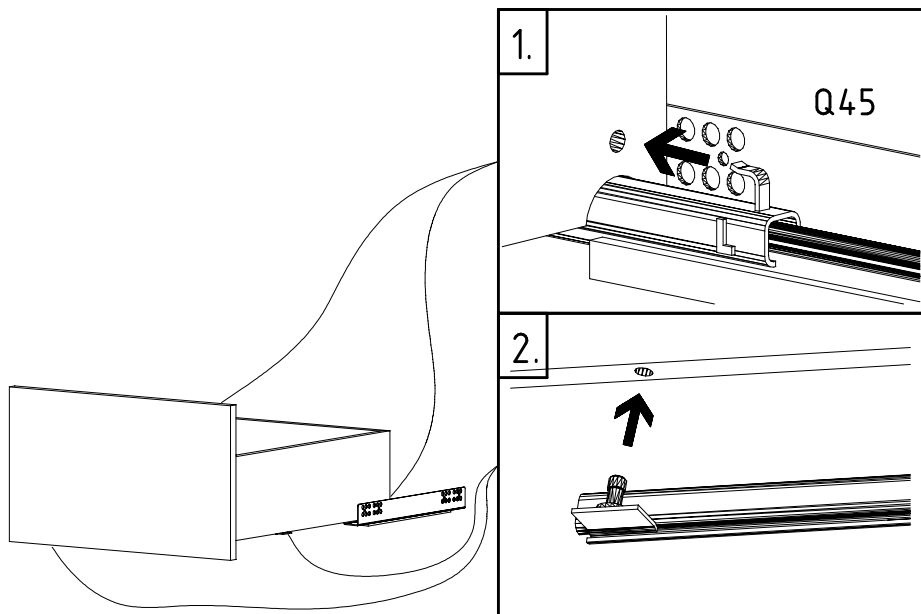
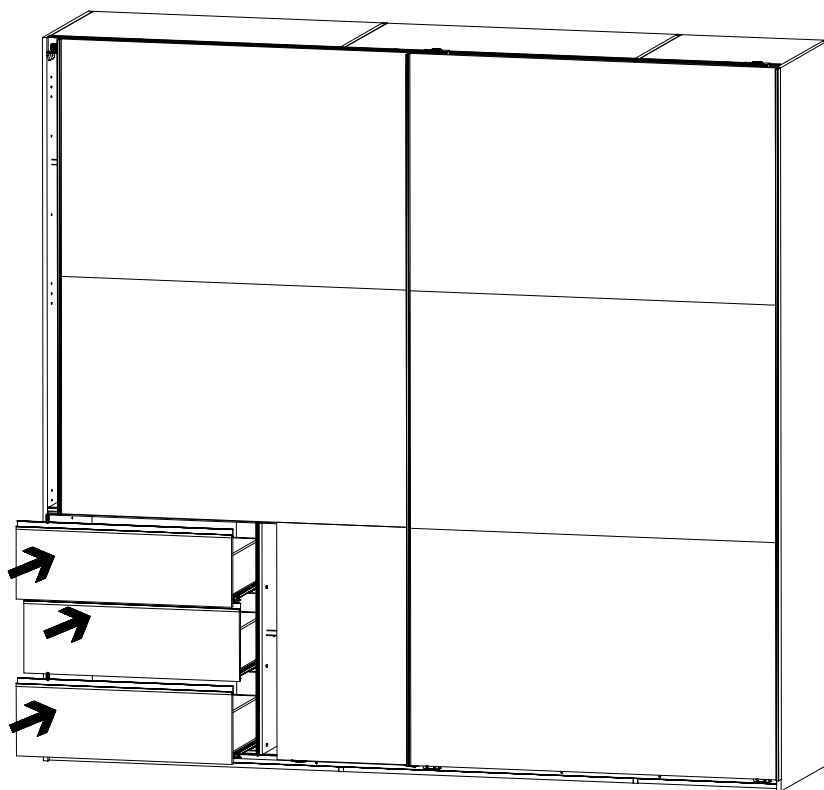
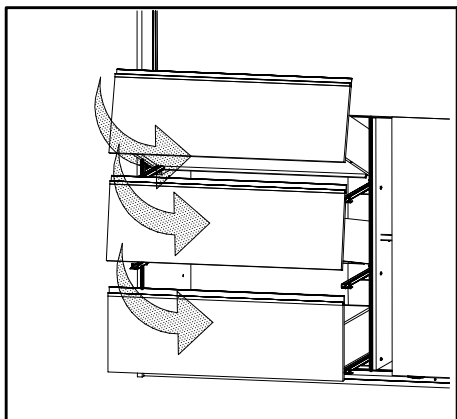


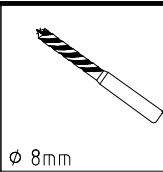
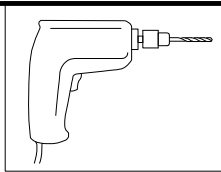
38



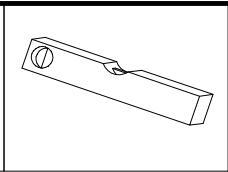
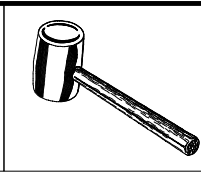
39





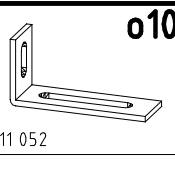


ø 8mm



SP15
4 X 15mm

121 120



111 052

