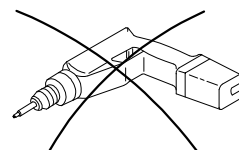
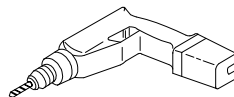
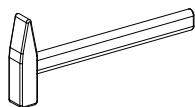
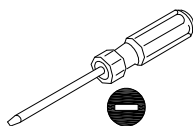
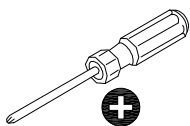
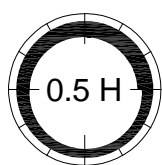
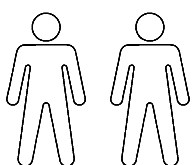
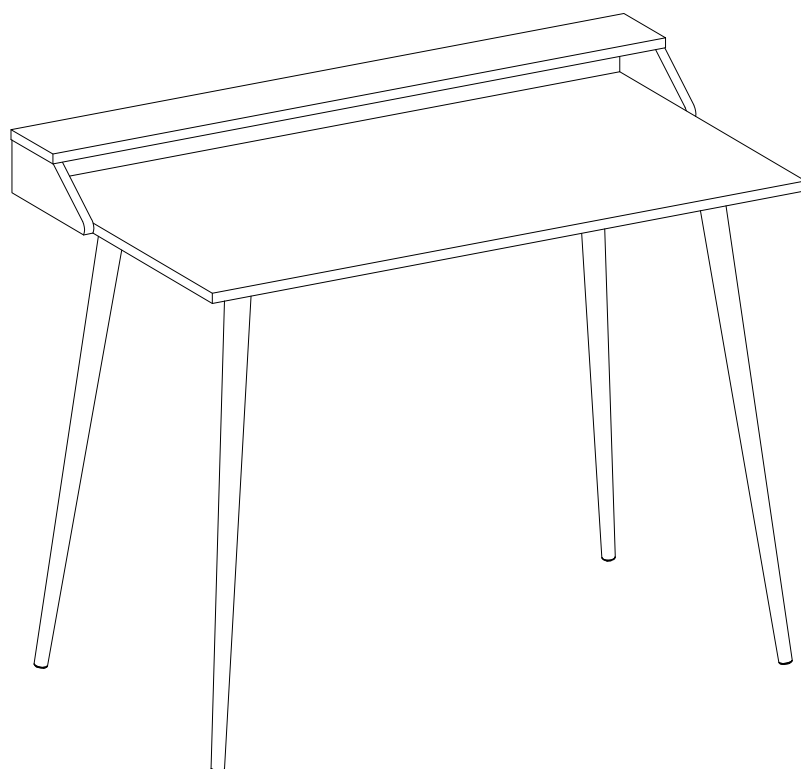
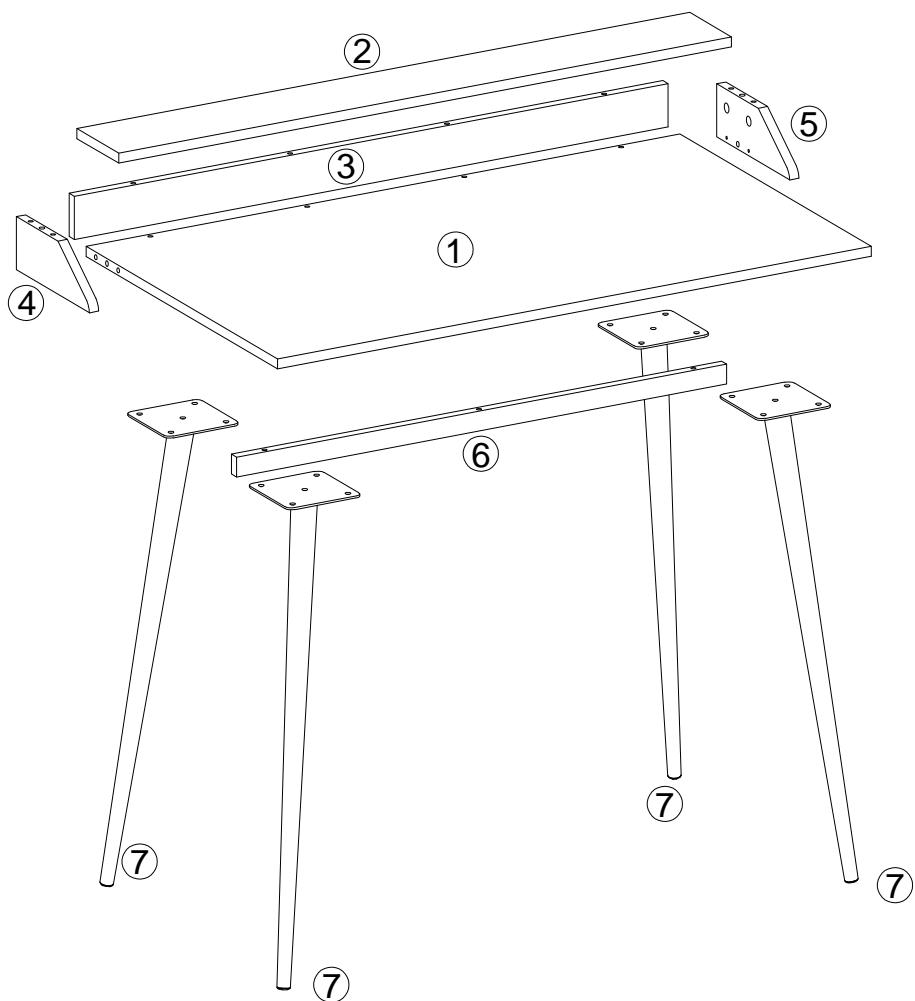


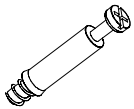
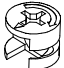

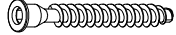
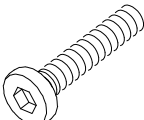
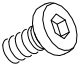

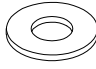
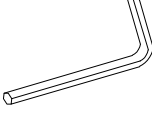

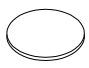
Joe



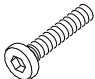




15/06/2021

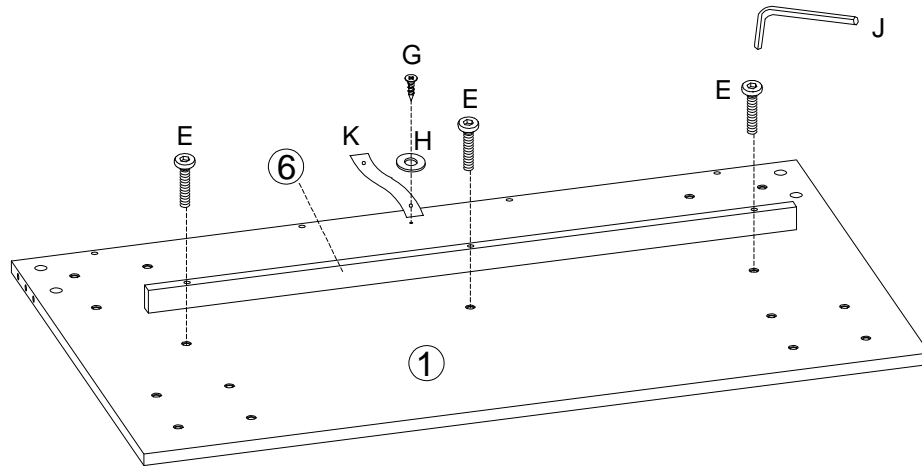
①	1	969x550x15	
②	1	1000x120x15	
③	1	969x65x15	
④	1	211x80x15	
⑤	1	211x80x15	
⑥	1	805x30x15	
⑦	4	750x120x120	





<p>A x 12</p>  <p>6.3x35mm</p>	<p>B x 12</p>  <p>Ø15 x 12mm</p>	<p>C x 4</p>  <p>Ø8 x 30mm</p>	<p>D x 4</p>  <p>7 x 38mm</p>	<p>E x 3</p>  <p>M6 x 40mm</p>
<p>F x 16</p>  <p>M6 x 12mm</p>	<p>G x 1</p>  <p>3.5 x 14mm</p>	<p>H x 2</p>  <p>Ø18/Ø5mm</p>	<p>J x 1</p>  <p>4mm</p>	<p>K x 1</p>  <p>L=150mm</p>
<p>L x 4</p>  <p>Ø20mm</p>				

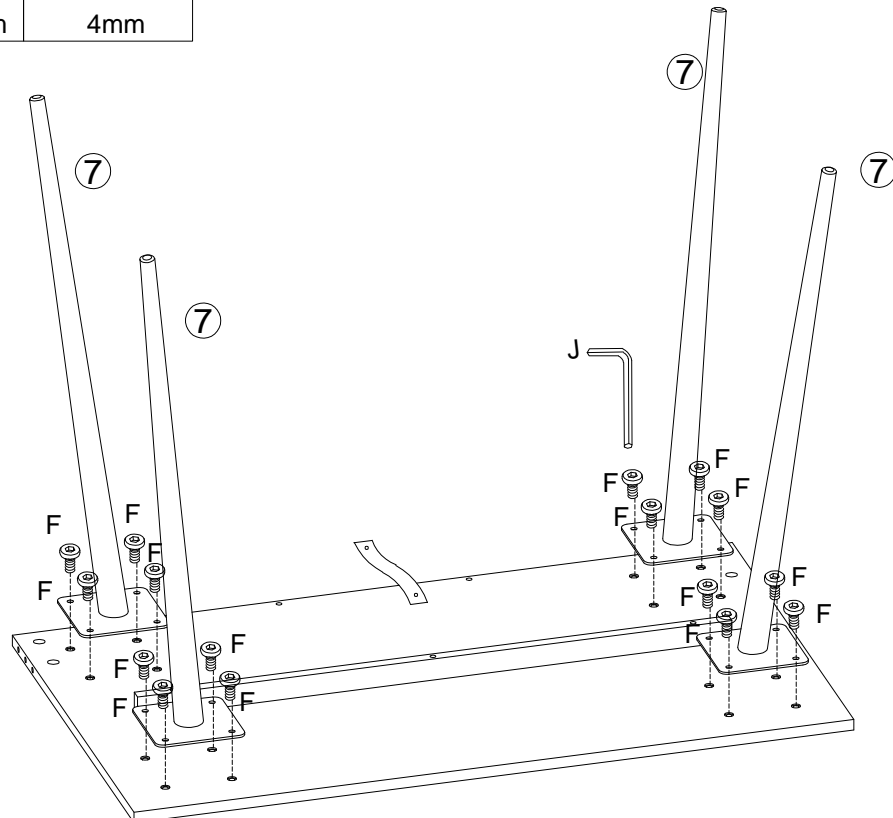
1

E x 3  M6 x 40mm	G x 1  3.5 x 14mm	H x 1  Ø18/Ø5mm	J x 1  4mm	K x 1  L=150mm
--	---	---	--	--

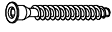
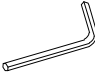


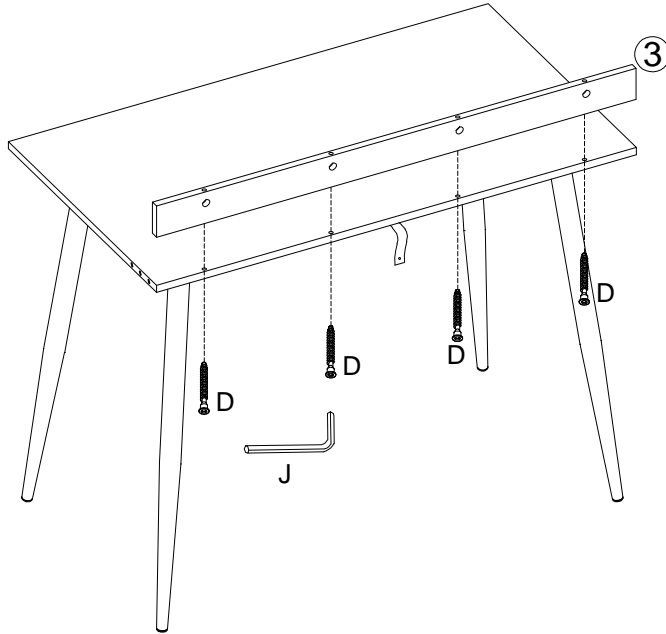
2

F x 16  M6 x 12mm	J x 1  4mm
---	--

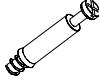



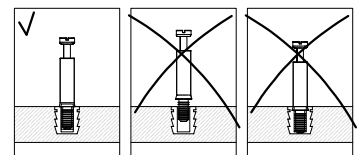
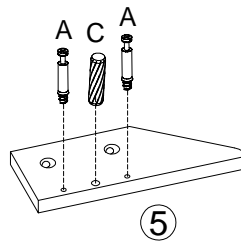
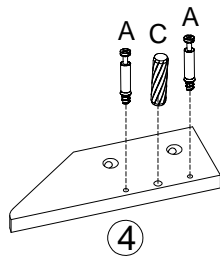
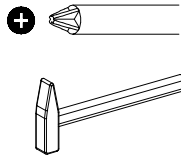
3

D x 4	J x 1
	
7 x 38mm	4mm

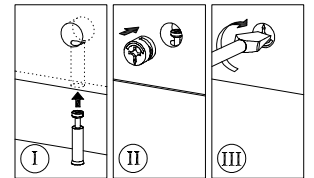
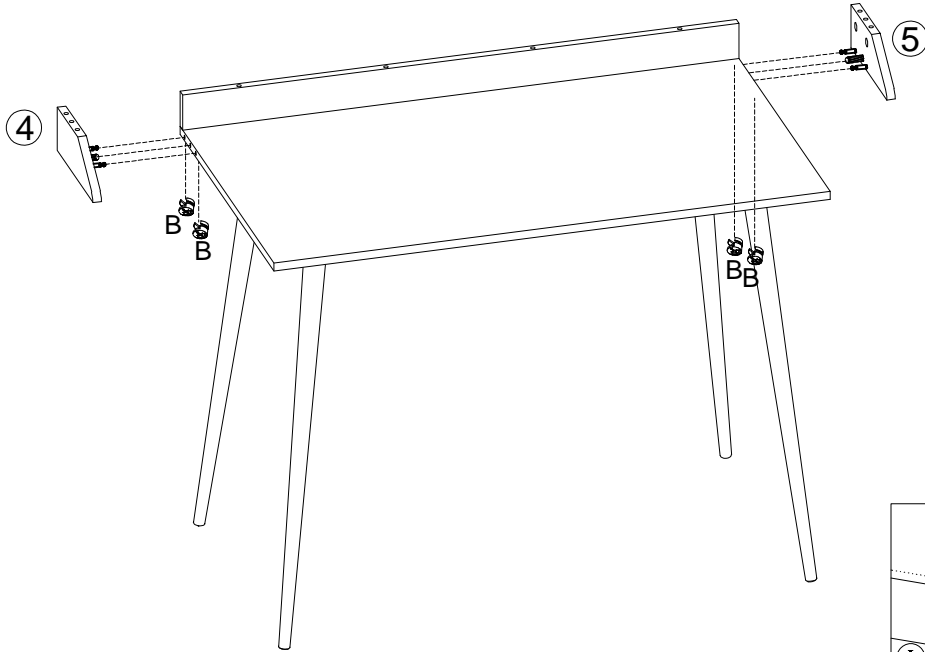
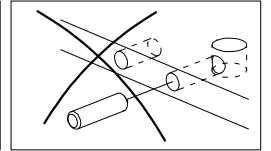
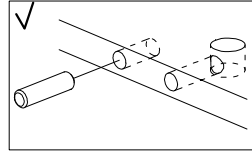
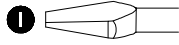
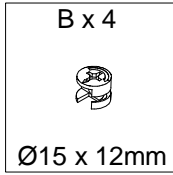


4

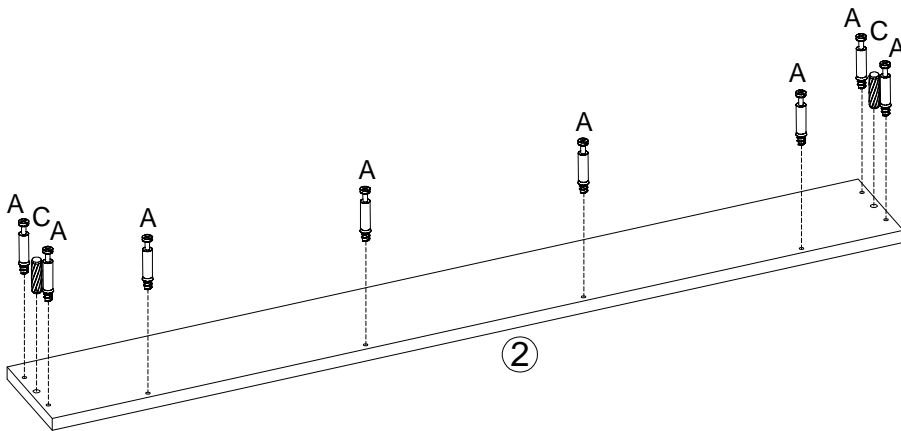
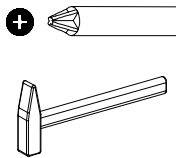
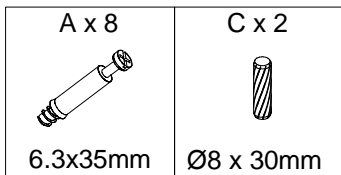
A x 4	C x 2
	
6.3x35mm	Ø8 x 30mm





5

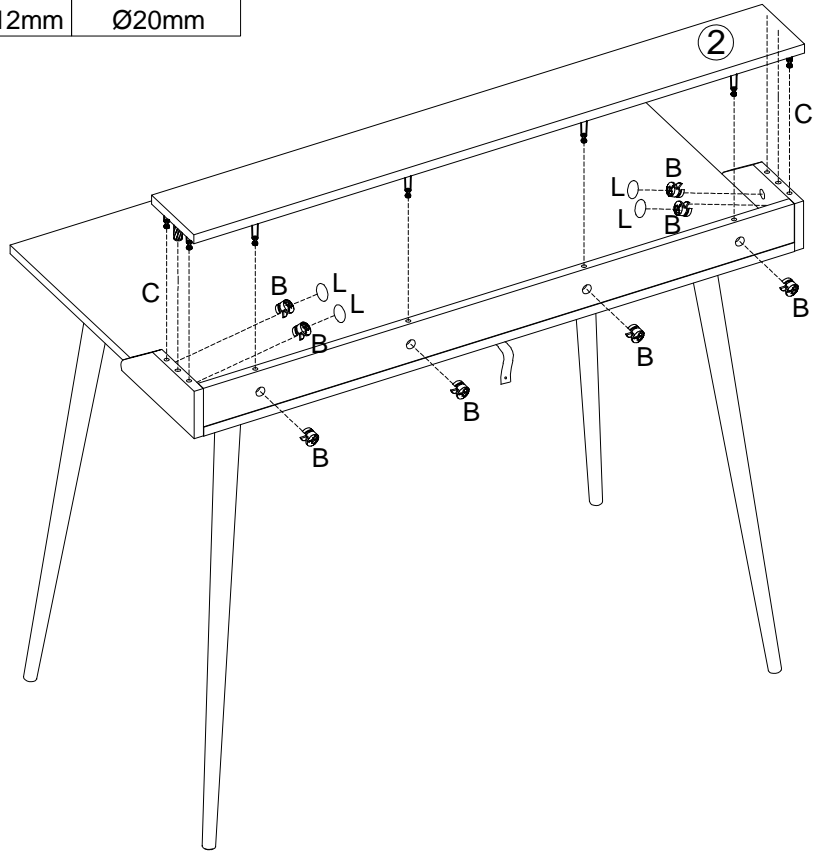
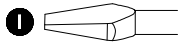


6

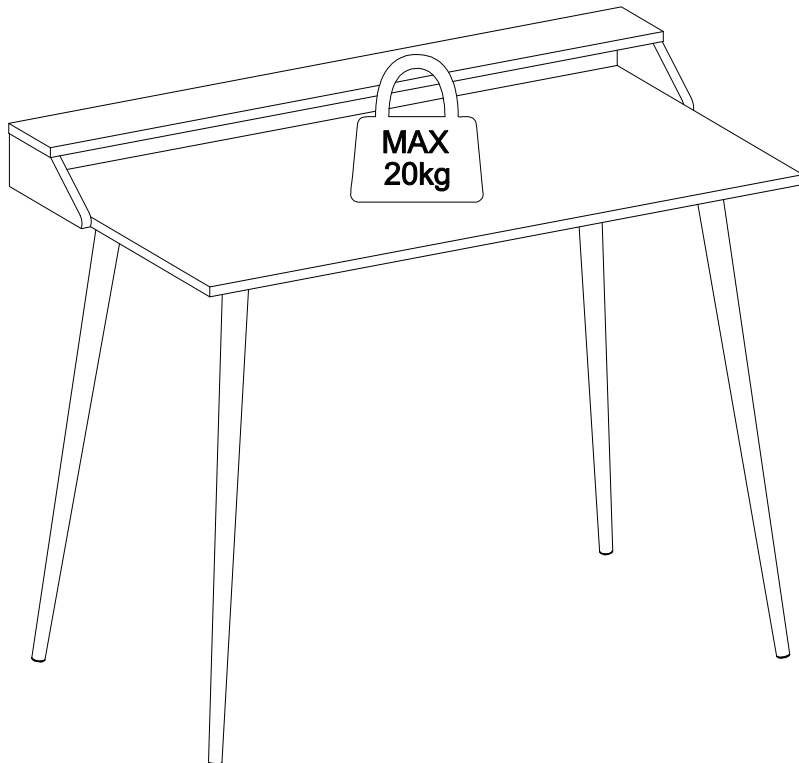


7

B x 8	L x 4
	
Ø15 x 12mm	Ø20mm



8



9

