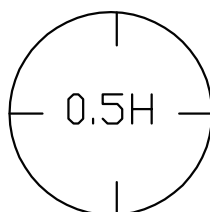
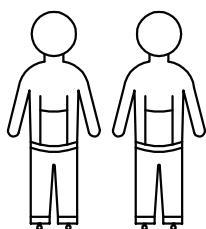
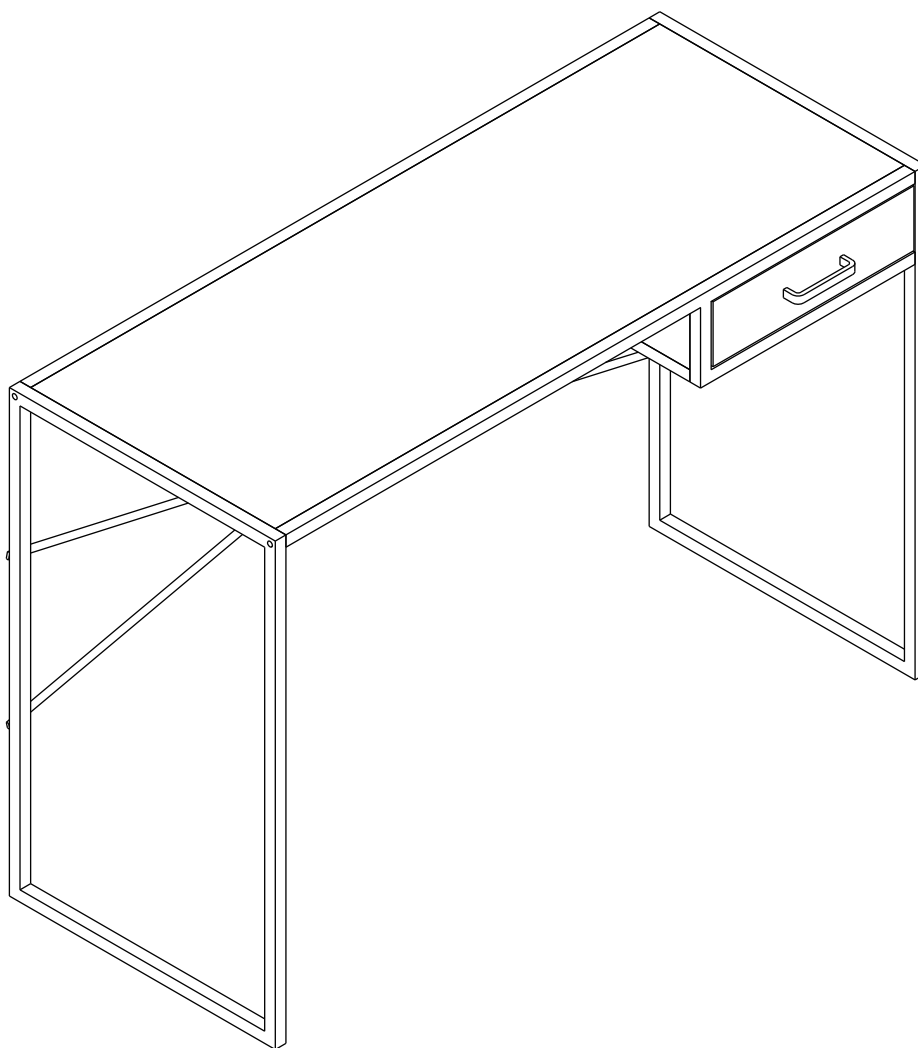
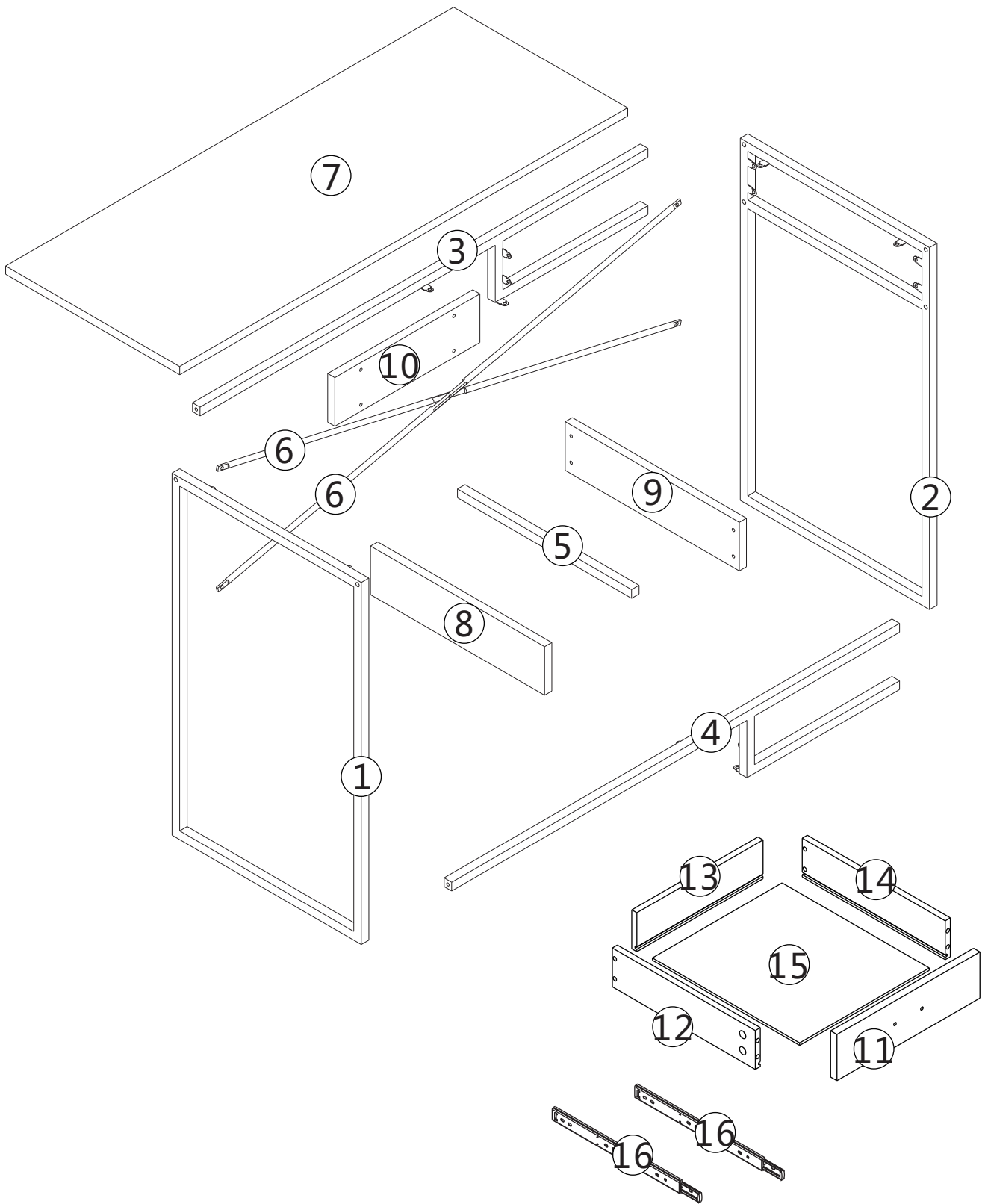
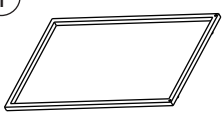

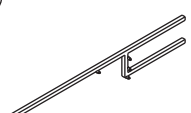
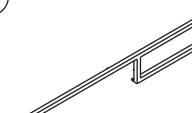
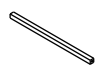

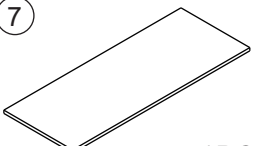
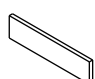
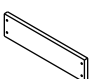
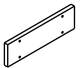
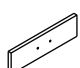
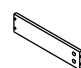


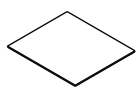


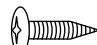
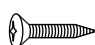
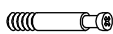


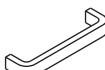

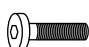
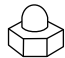
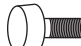




Seaford

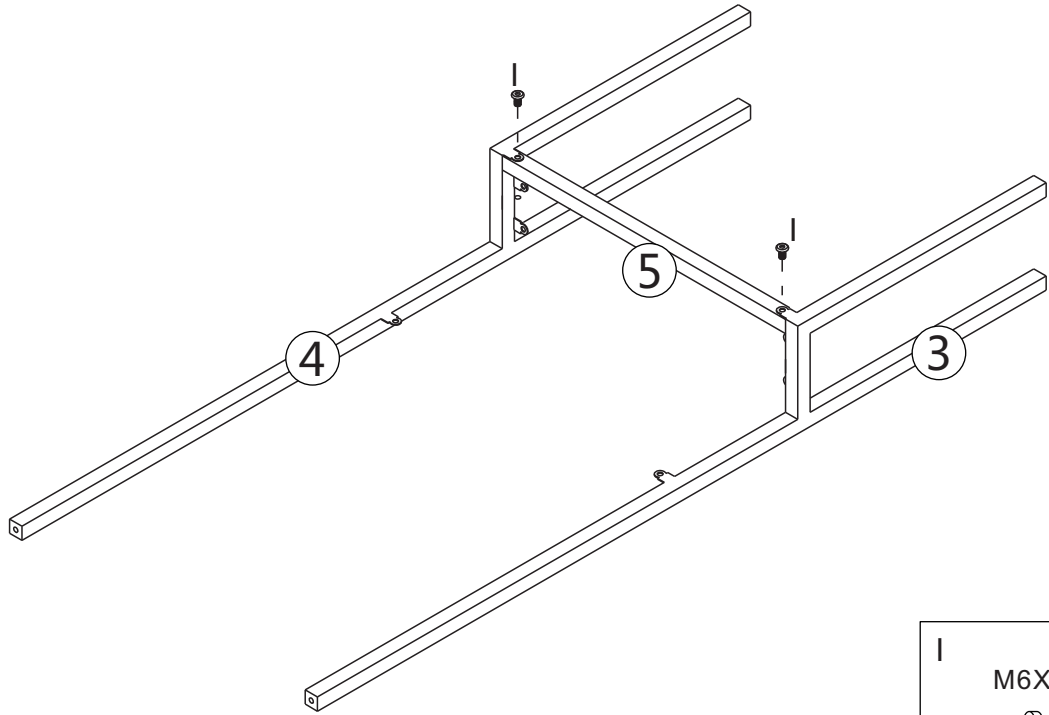


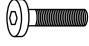


①  1PC	②  1PC	③  1PC	④  1PC	⑤  1PC
⑥  2PCS	⑦  1PC	⑧  1PC	⑨  1PC	⑩  1PC
⑪  1PC	⑫  1PC	⑬  1PC	⑭  1PC	⑮  1PC
⑯  2PCS				

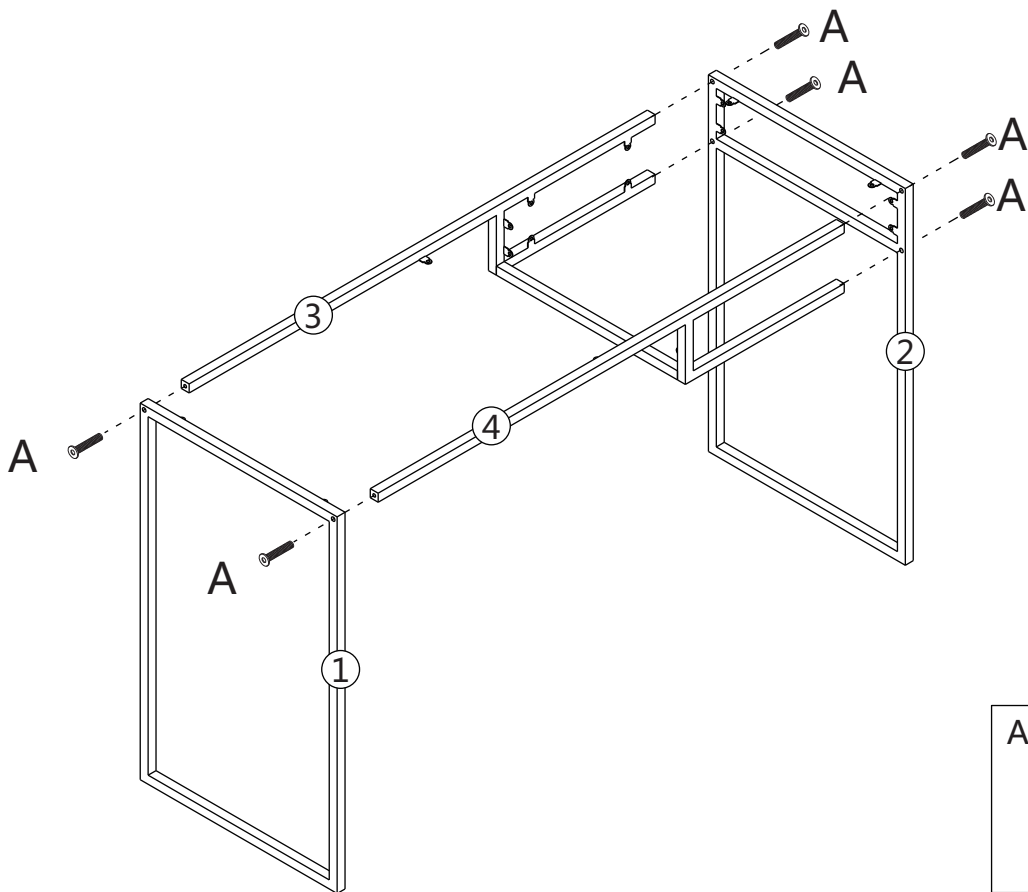
A M6X35mm  6PCS	B M4X10mm  18PCS	C M3.5X12mm  8PCS	D M6X22mm  4PCS	E Ø12  4PCS
F M4X35mm  4PCS	G  1PC	H M4X20mm  2PCS	I M6X16mm  7PCS	J M6  1PC
K  4PCS	L 4mm  1PC	M 4mm  1PC		


1



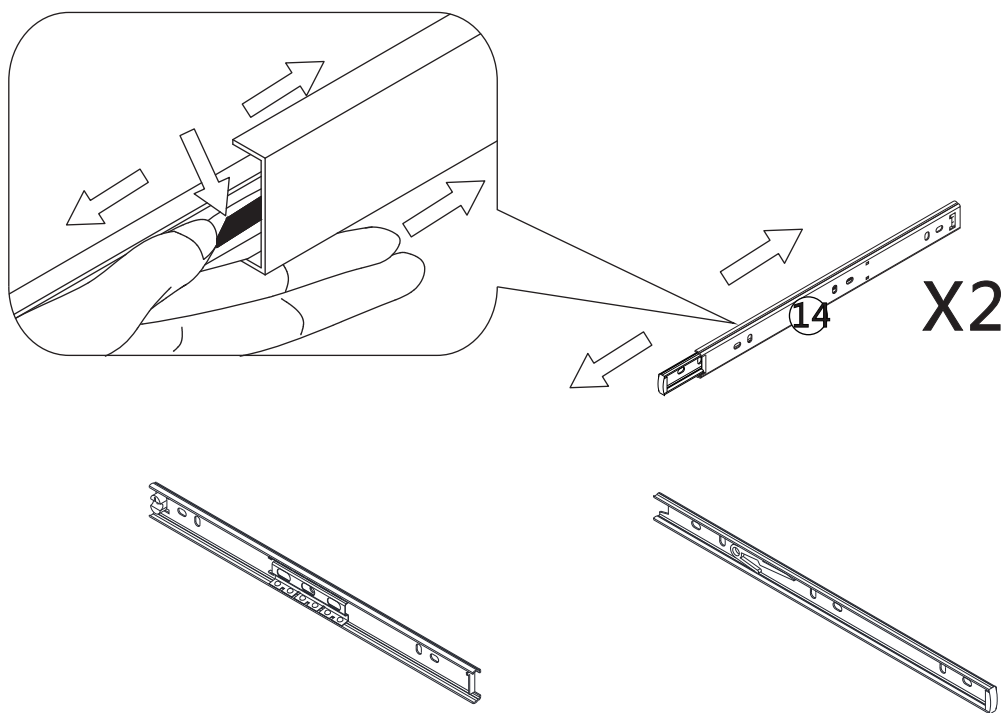
I
M6X16mm

2PCS

2

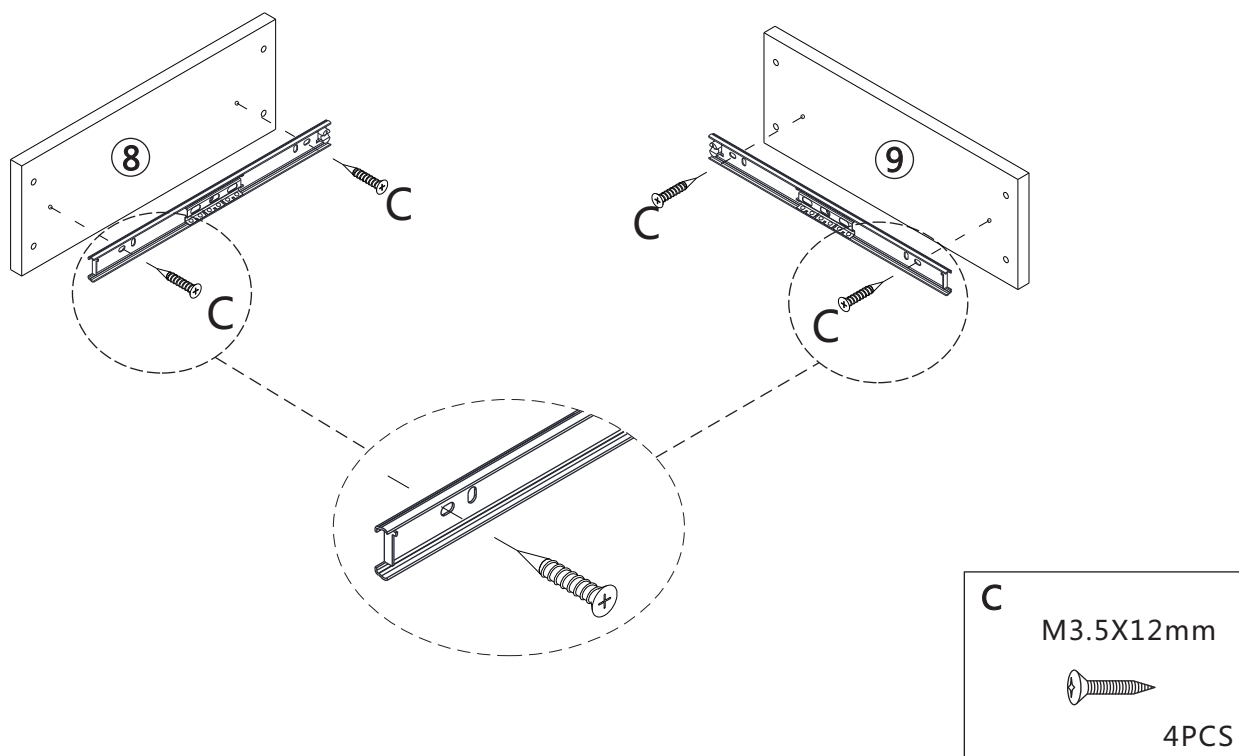


A
M6X35mm

6PCS

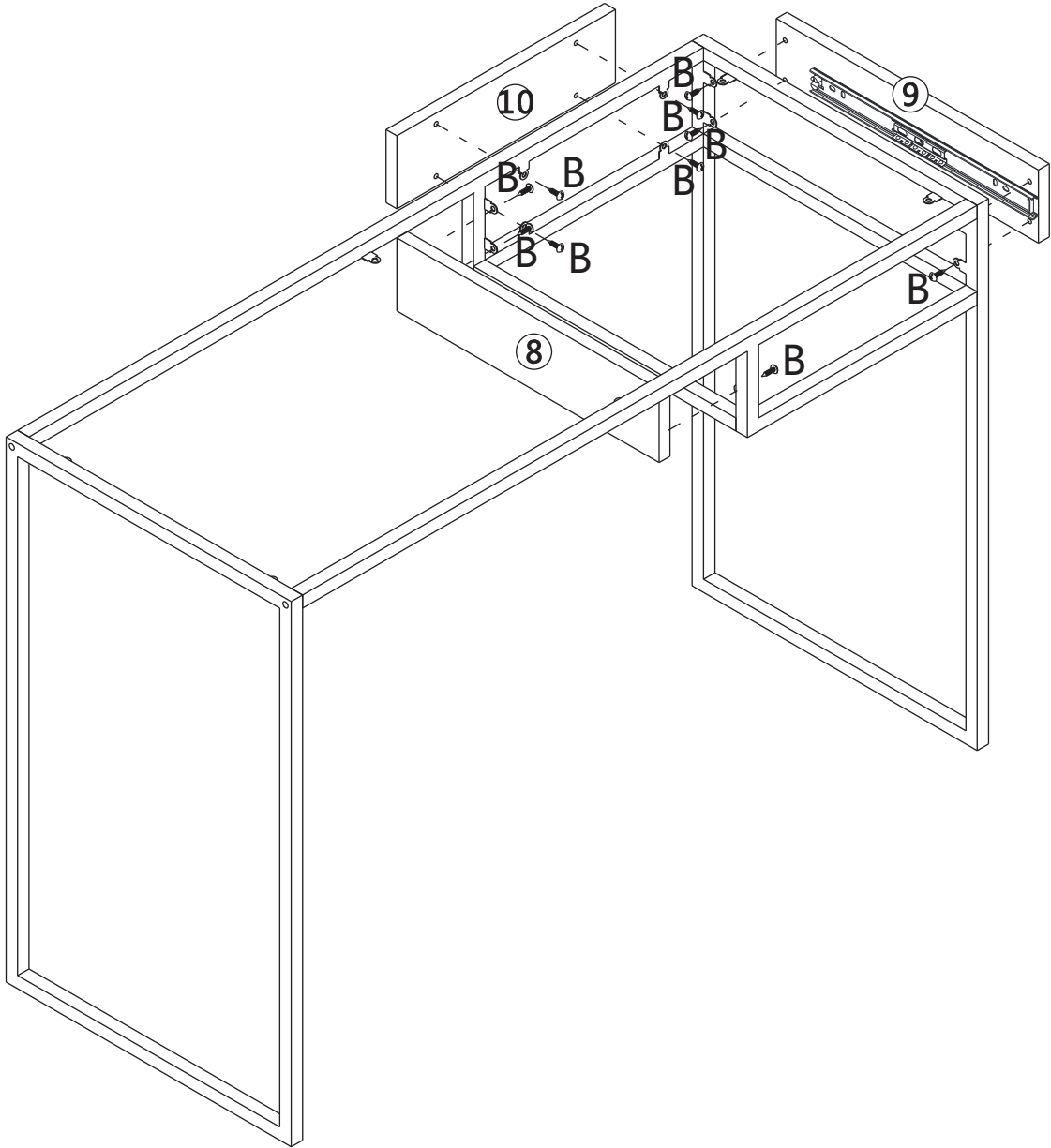
3

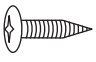


4



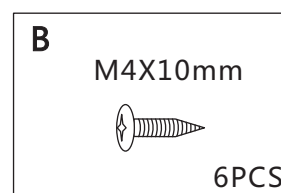
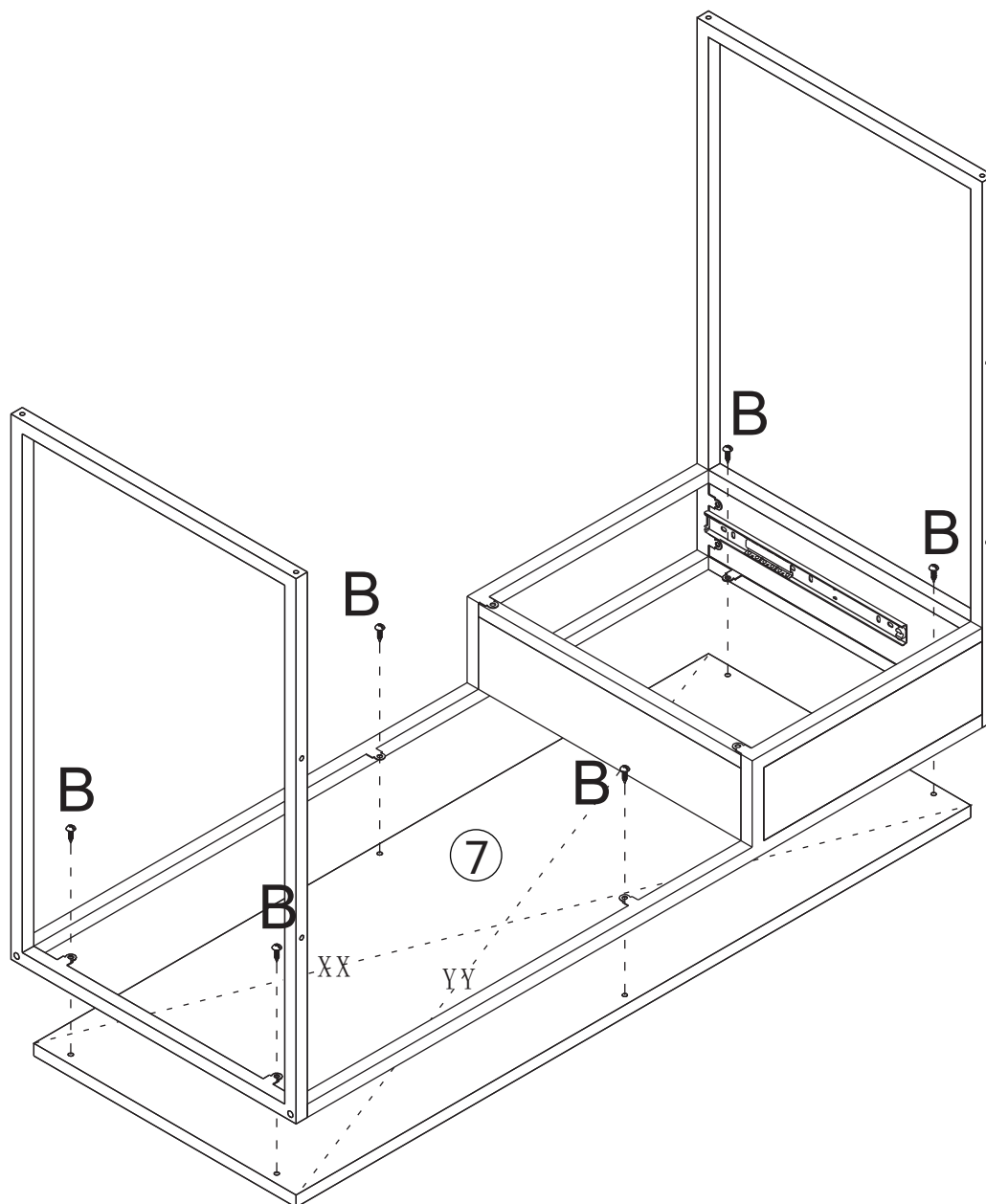
5



B
M4X10mm

12PCS

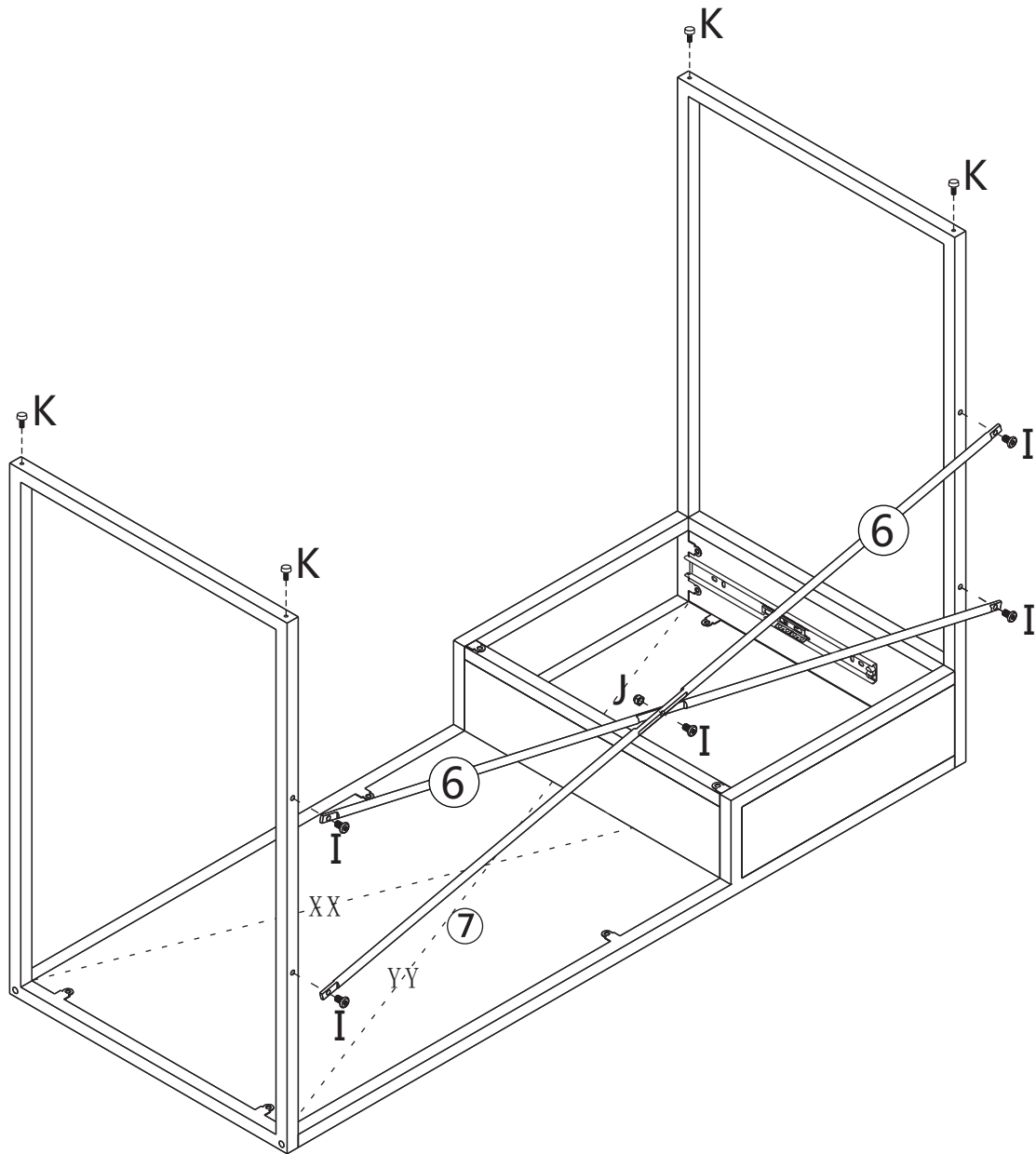
6

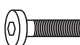

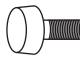
! $XX=YY$



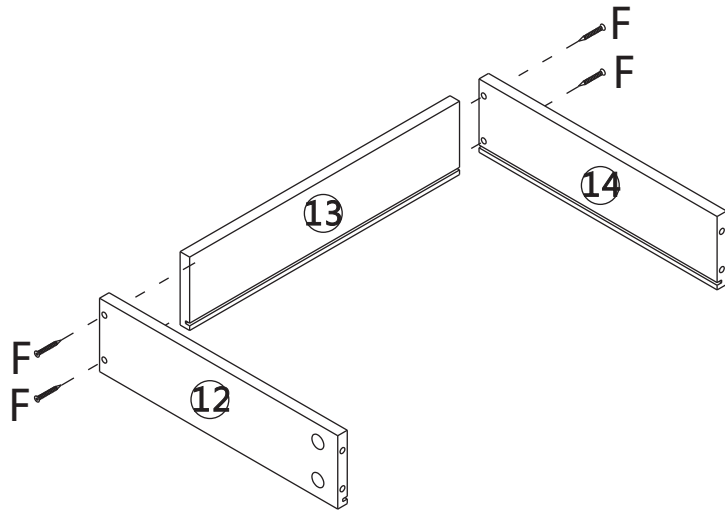
7


! XX=YY



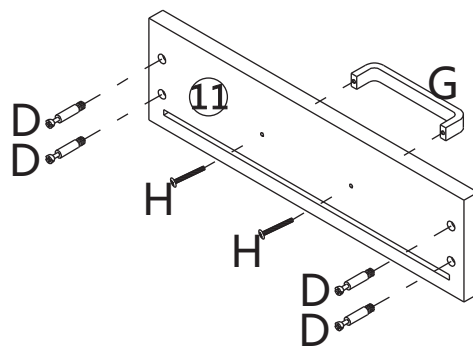
I M6X16mm  5PCS	J M6  1PC	K  4PCS
--	--	---

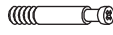
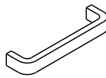

8



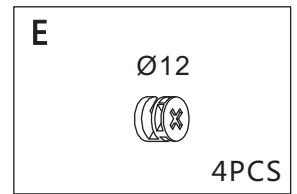
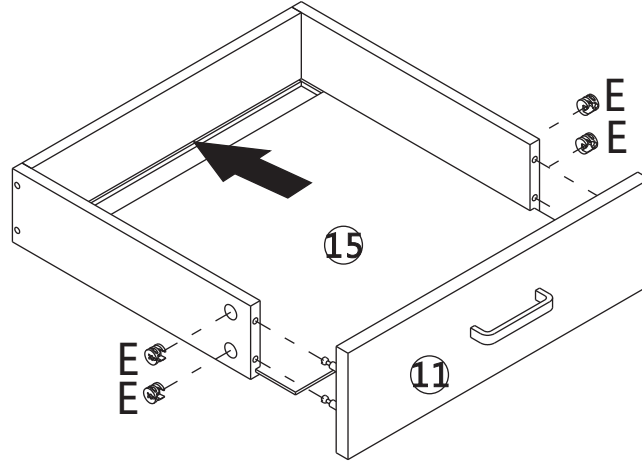
F
M4X35mm

4PCS

9



D M6X22mm  4PCS	G  1PC	H M4X20mm  2PCS
--	--	--

10



11

