

# EVOLUTION

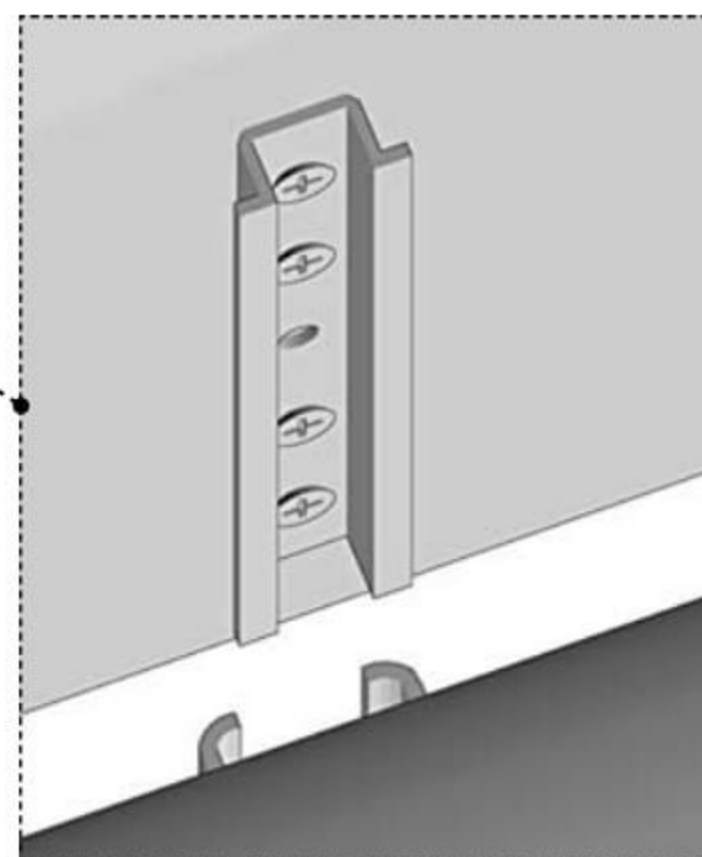
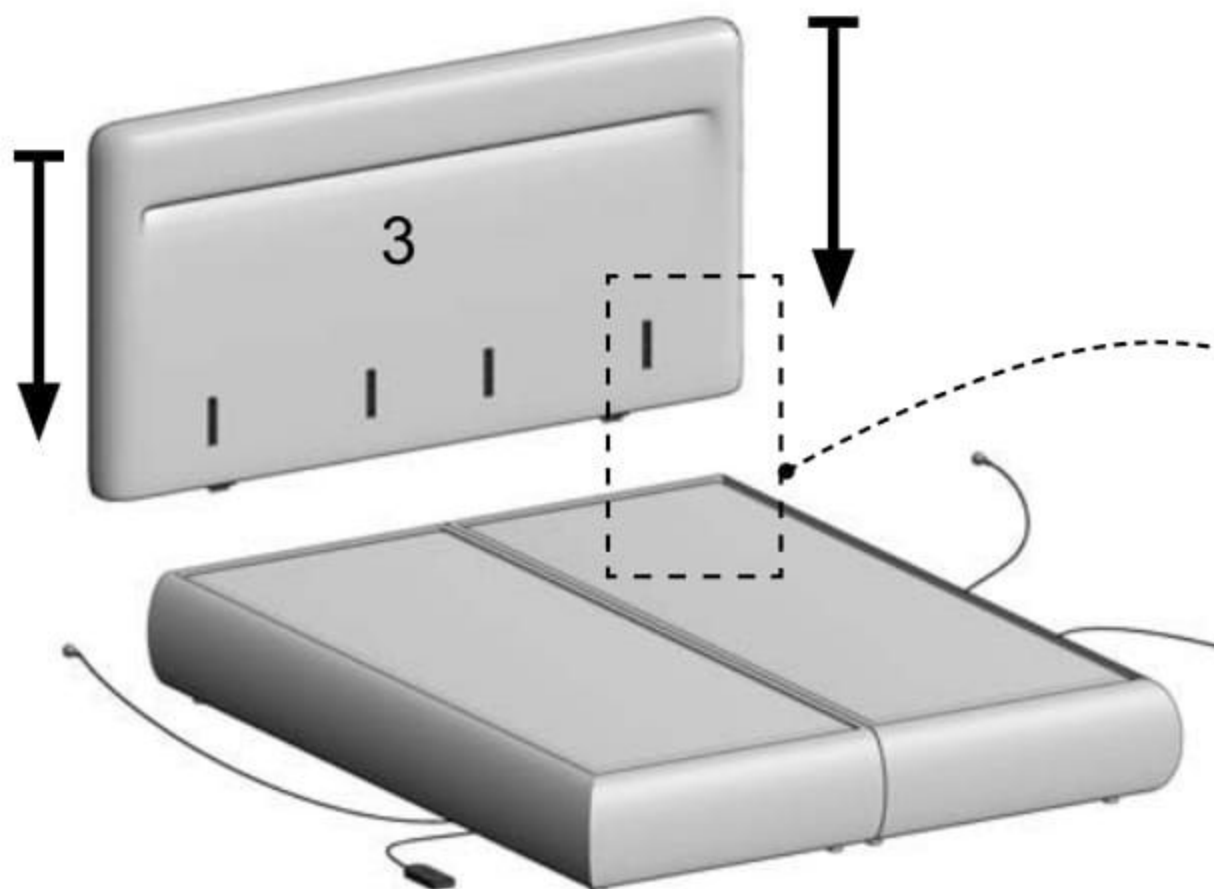
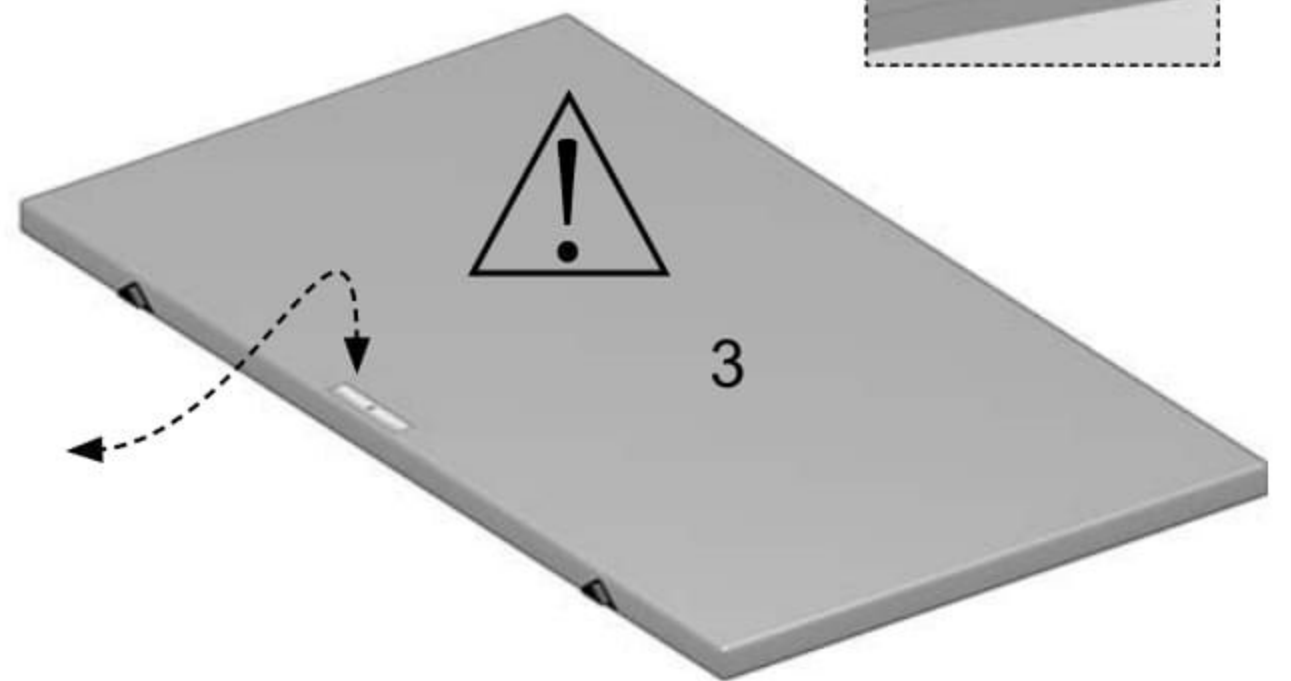
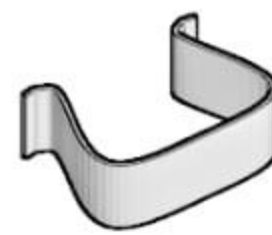
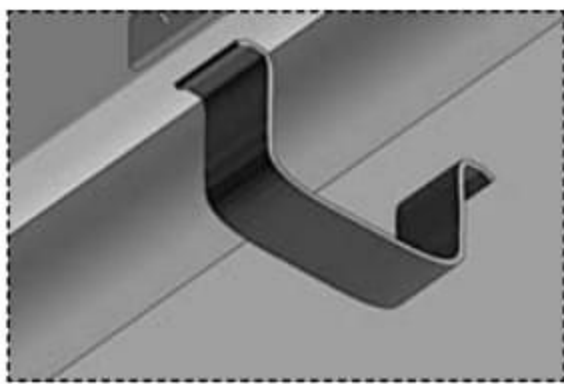
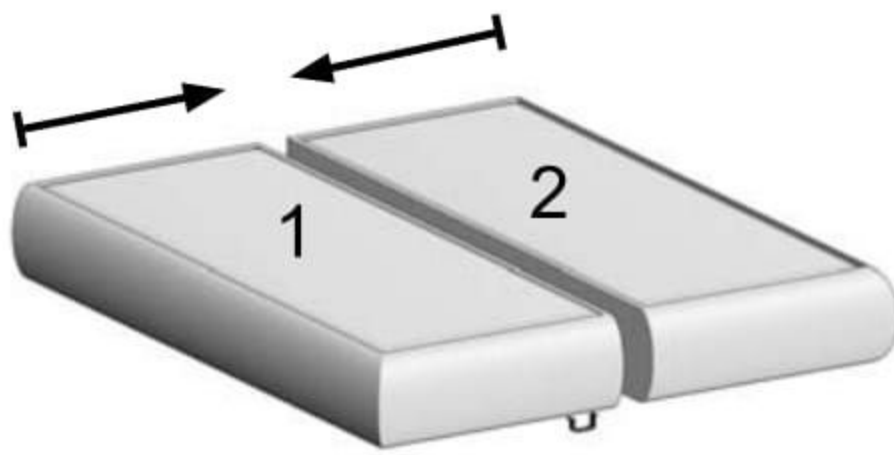
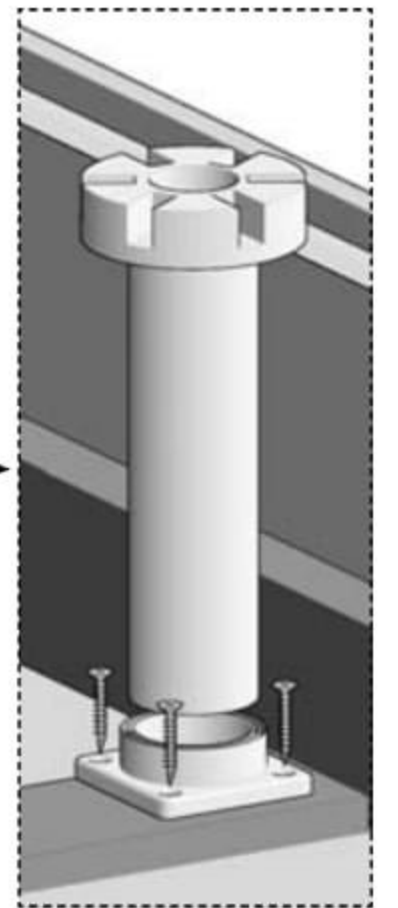
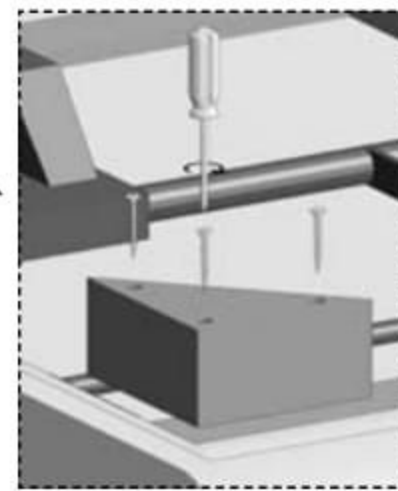
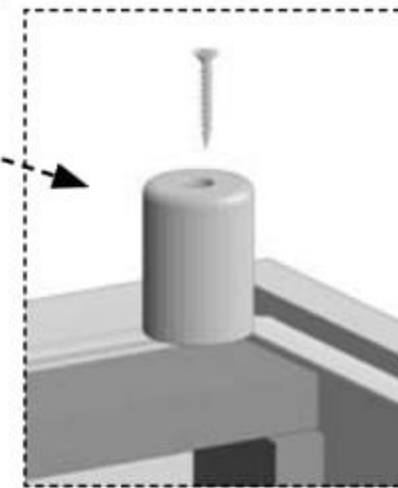
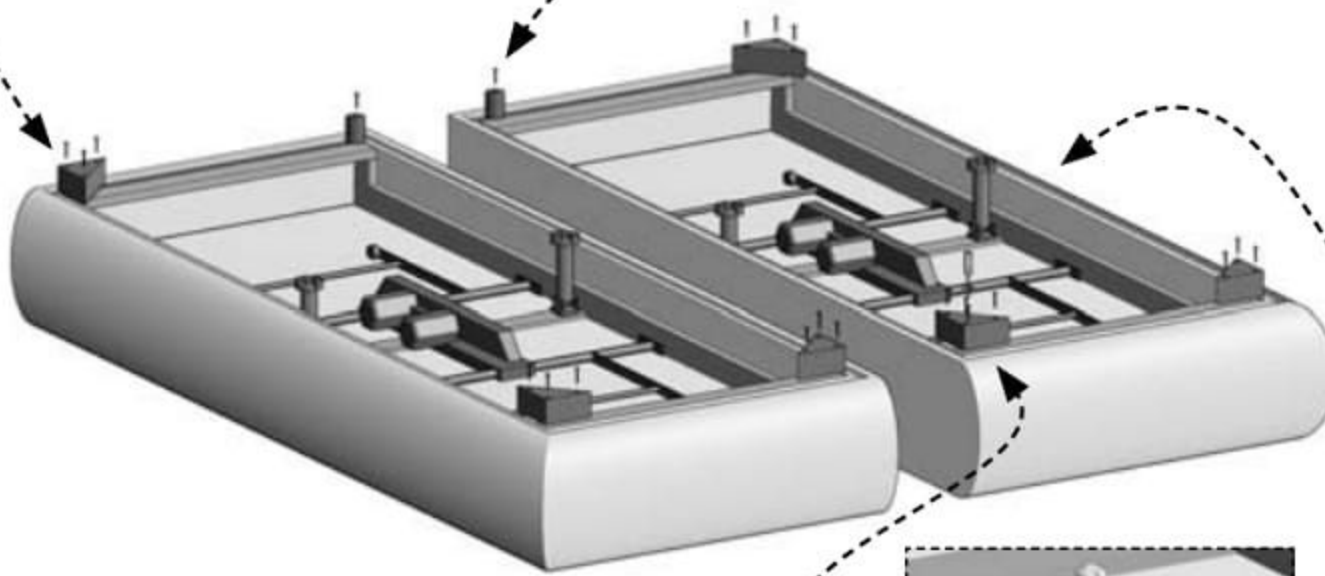
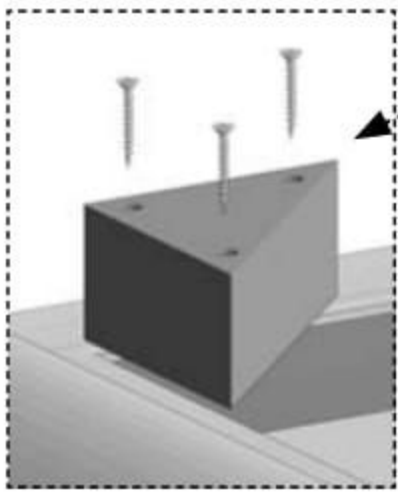
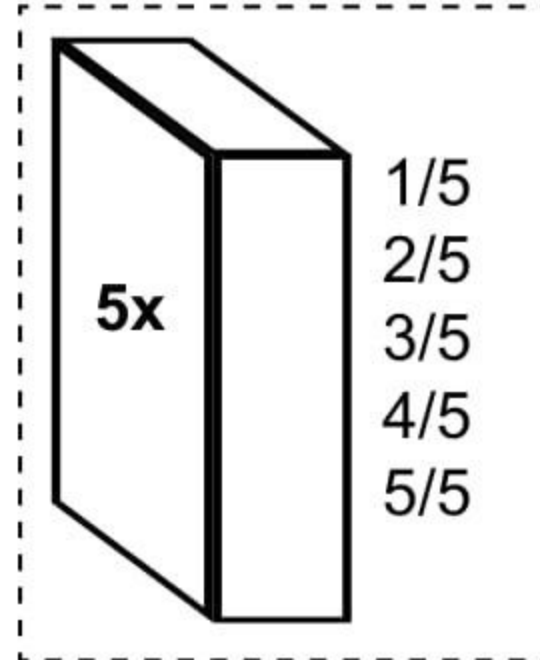
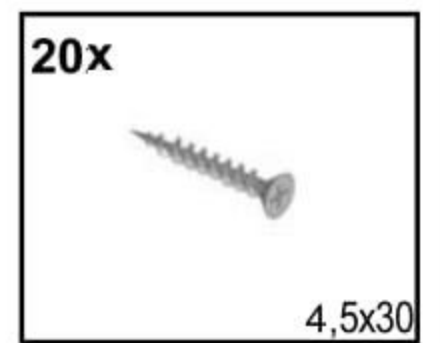
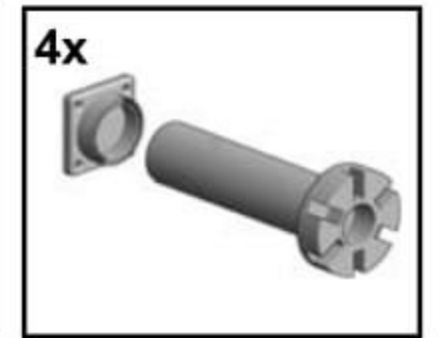
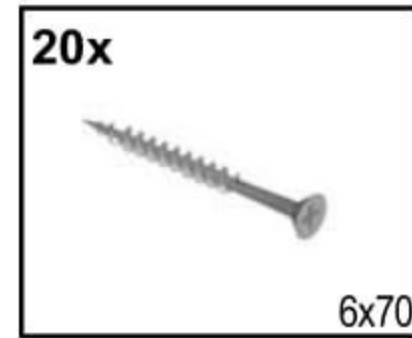
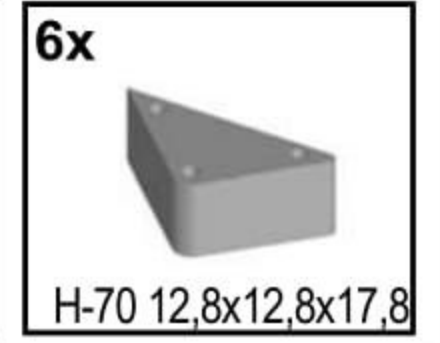
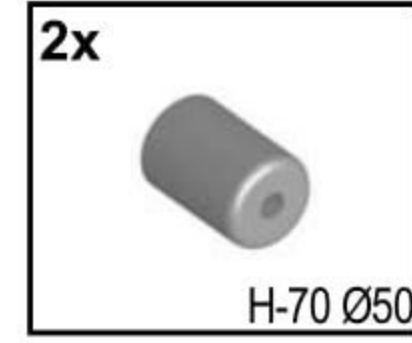
# 160/180

20181017



HDPE

LDPE



# EVOLUTION

160/180

20181017

